

DATA SHEET



Three Phase Induction Motor - Squirrel Cage

Customer :					
Product line		: Close Coupled Pump NEMA Premium Efficiency Three-Phase		Product code : 11088863	
Frame	: 284JP	Locked rotor time	: 27s (cold) 15s (hot)		
Output	: 25 HP (18.5 kW)	Temperature rise	: 80 K		
Poles	: 4	Duty cycle	: Cont.(S1)		
Frequency	: 60 Hz	Ambient temperature	: -20°C to +40°C		
Rated voltage	: 575 V	Altitude	: 1000 m.a.s.l.		
Rated current	: 23.9 A	Protection degree	: IP23		
L. R. Amperes	: 160 A	Cooling method	: IC01 - ODP		
LRC	: 6.7x(Code H)	Mounting	: F-1		
No load current	: 9.60 A	Rotation ¹	: Both (CW and CCW)		
Rated speed	: 1770 rpm	Noise level ²	: 62.0 dB(A)		
Slip	: 1.67 %	Starting method	: Direct On Line		
Rated torque	: 10.3 kgfm	Approx. weight ³	: 170 kg		
Locked rotor torque	: 250 %				
Breakdown torque	: 280 %				
Insulation class	: F				
Service factor	: 1.15				
Moment of inertia (J)	: 0.1435 kgm ²				
Design	: B				
Output	50%	75%	100%	Foundation loads	
Efficiency (%)	92.4	93.0	93.6	Max. traction : 325 kgf	
Power Factor	0.67	0.78	0.83	Max. compression : 496 kgf	
		<u>Drive end</u>		<u>Non drive end</u>	
Bearing type	:	6311 Z C3		6211 Z C3	
Sealing	:	Without Bearing Seal		Without Bearing Seal	
Lubrication interval	:	20000 h		20000 h	
Lubricant amount	:	18 g		11 g	
Lubricant type	:	Mobil Polyrex EM			
Notes					
This revision replaces and cancel the previous one, which must be eliminated. (1) Looking the motor from the shaft end. (2) Measured at 1m and with tolerance of +3dB(A). (3) Approximate weight subject to changes after manufacturing process. (4) At 100% of full load.			These are average values based on tests with sinusoidal power supply, subject to the tolerances stipulated in NEMA MG-1.		
Rev.	Changes Summary		Performed	Checked	Date
Performed by					
Checked by				Page	Revision
Date	24/10/2024			1 / 2	

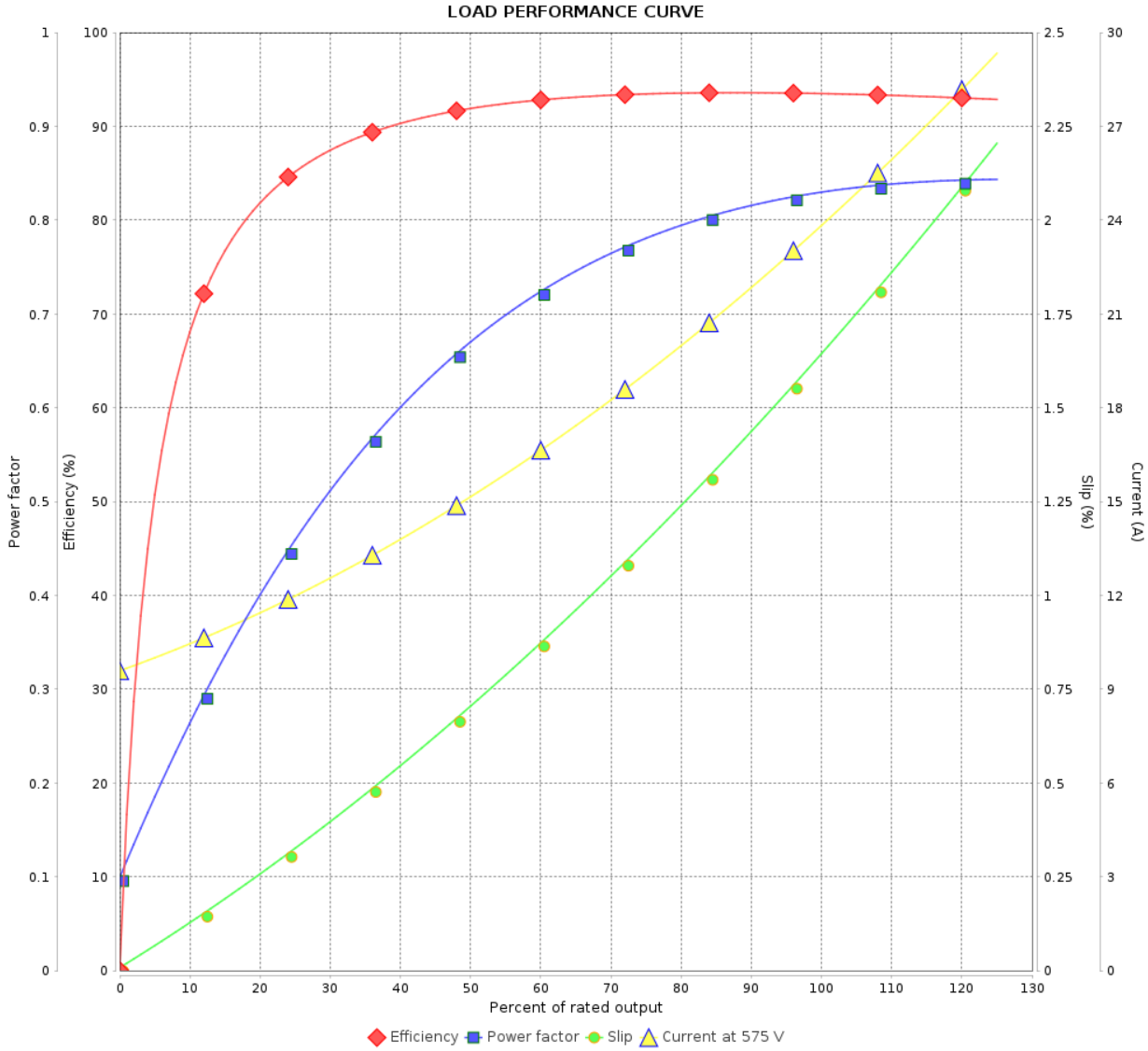
LOAD PERFORMANCE CURVE

Three Phase Induction Motor - Squirrel Cage



Customer : _____

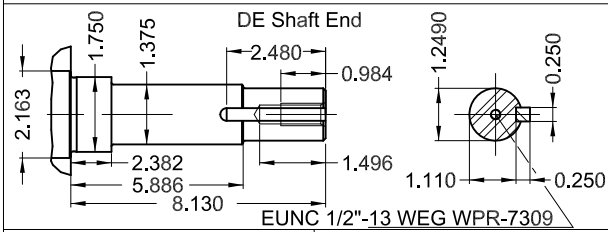
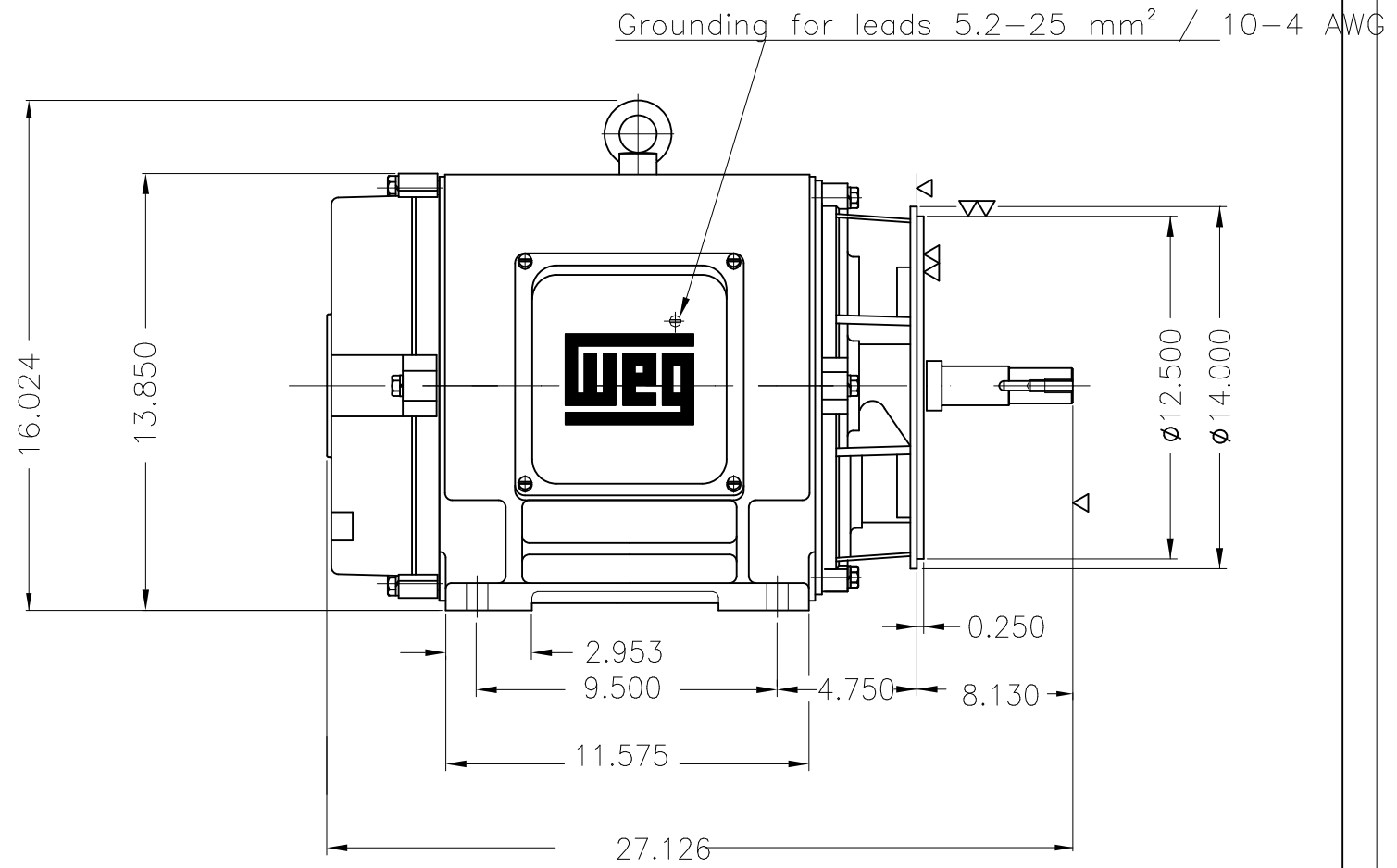
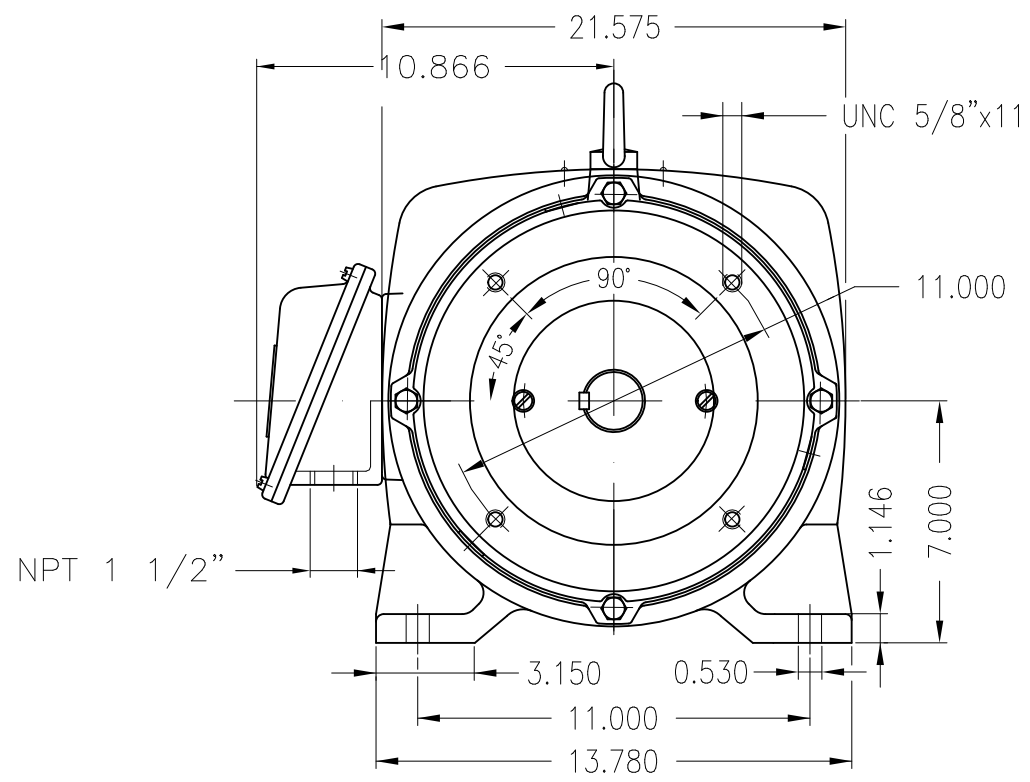
Product line : Close Coupled Pump NEMA Premium Efficiency Three-Phase Product code : 11088863



Performance : 575 V 60 Hz 4P

Rated current	: 23.9 A	Moment of inertia (J)	: 0.1435 kgm ²
LRC	: 6.7	Duty cycle	: Cont.(S1)
Rated torque	: 10.3 kgfm	Insulation class	: F
Locked rotor torque	: 250 %	Service factor	: 1.15
Breakdown torque	: 280 %	Temperature rise	: 80 K
Rated speed	: 1770 rpm	Design	: B

Rev.	Changes Summary	Performed	Checked	Date
Performed by			Page 2 / 2	Revision
Checked by				
Date	24/10/2024			



Color RAL 5009
 Painting plan 203A
 Mounting B34R(D)

25 HP 04 Poles 60 Hz A

ECM	LOC	SUMMARY OF MODIFICATIONS	EXECUTED	CHECKED	RELEASED	DATE	VER
EXECUTED	HYBRISUSER	THREE PH. MOTOR JM/JP/JET PUMP NEMA PREM. EFF.					
CHECKED		FRAME 284JP IP23 ODP					
RELEASED							
REL. DATE	WMO	Jaragua do Sul	Product Engineering				

PREVIEW
 WDD | 00

