

DATA SHEET



Three Phase Induction Motor - Squirrel Cage

Customer :

Product line : W22 Close Coupled Pump JP Product code : 12712072
 NEMA Premium Efficiency Three-Phase

Frame	: 254/6JP	Locked rotor time	: 55s (cold) 31s (hot)
Output	: 15 HP (11 kW)	Temperature rise	: 80 K
Poles	: 4	Duty cycle	: Cont.(S1)
Frequency	: 60 Hz	Ambient temperature	: -20°C to +40°C
Rated voltage	: 575 V	Altitude	: 1000 m.a.s.l.
Rated current	: 14.4 A	Protection degree	: IP55
L. R. Amperes	: 92.2 A	Cooling method	: IC411 - TEFC
LRC	: 6.4x(Code G)	Mounting	: F-1
No load current	: 5.60 A	Rotation ¹	: Both (CW and CCW)
Rated speed	: 1768 rpm	Noise level ²	: 64.0 dB(A)
Slip	: 1.78 %	Starting method	: Direct On Line
Rated torque	: 6.16 kgfm	Approx. weight ³	: 131 kg
Locked rotor torque	: 240 %		
Breakdown torque	: 260 %		
Insulation class	: F		
Service factor	: 1.25		
Moment of inertia (J)	: 0.1104 kgm ²		
Design	: B		

Output	25%	50%	75%	100%	Foundation loads	
Efficiency (%)	0.000	91.0	91.7	92.4	Max. traction	: 186 kgf
Power Factor	0.00	0.68	0.78	0.83	Max. compression	: 317 kgf

Losses at normative operating points (speed;torque), in percentage of rated output power

P1 (0,9;1,0)	P2 (0,5;1,0)	P3 (0,25;1,0)	P4 (0,9;0,5)	P5 (0,5;0,5)	P6 (0,5;0,25)	P7 (0,25;0,25)
8.1	6.8	6.3	3.9	2.7	1.8	1.2

	<u>Drive end</u>	<u>Non drive end</u>
Bearing type	: 6309 C3	: 6209 C3
Sealing	: V'Ring	: V'Ring
Lubrication interval	: 20000 h	: 20000 h
Lubricant amount	: 13 g	: 9 g
Lubricant type	: Mobil Polyrex EM	

Notes

This revision replaces and cancel the previous one, which must be eliminated.

- (1) Looking the motor from the shaft end.
- (2) Measured at 1m and with tolerance of +3dB(A).
- (3) Approximate weight subject to changes after manufacturing process.
- (4) At 100% of full load.

These are average values based on tests with sinusoidal power supply, subject to the tolerances stipulated in NEMA MG-1.

Rev.	Changes Summary	Performed	Checked	Date
Performed by		Page		Revision
Checked by		1 / 2		
Date	24/10/2024			

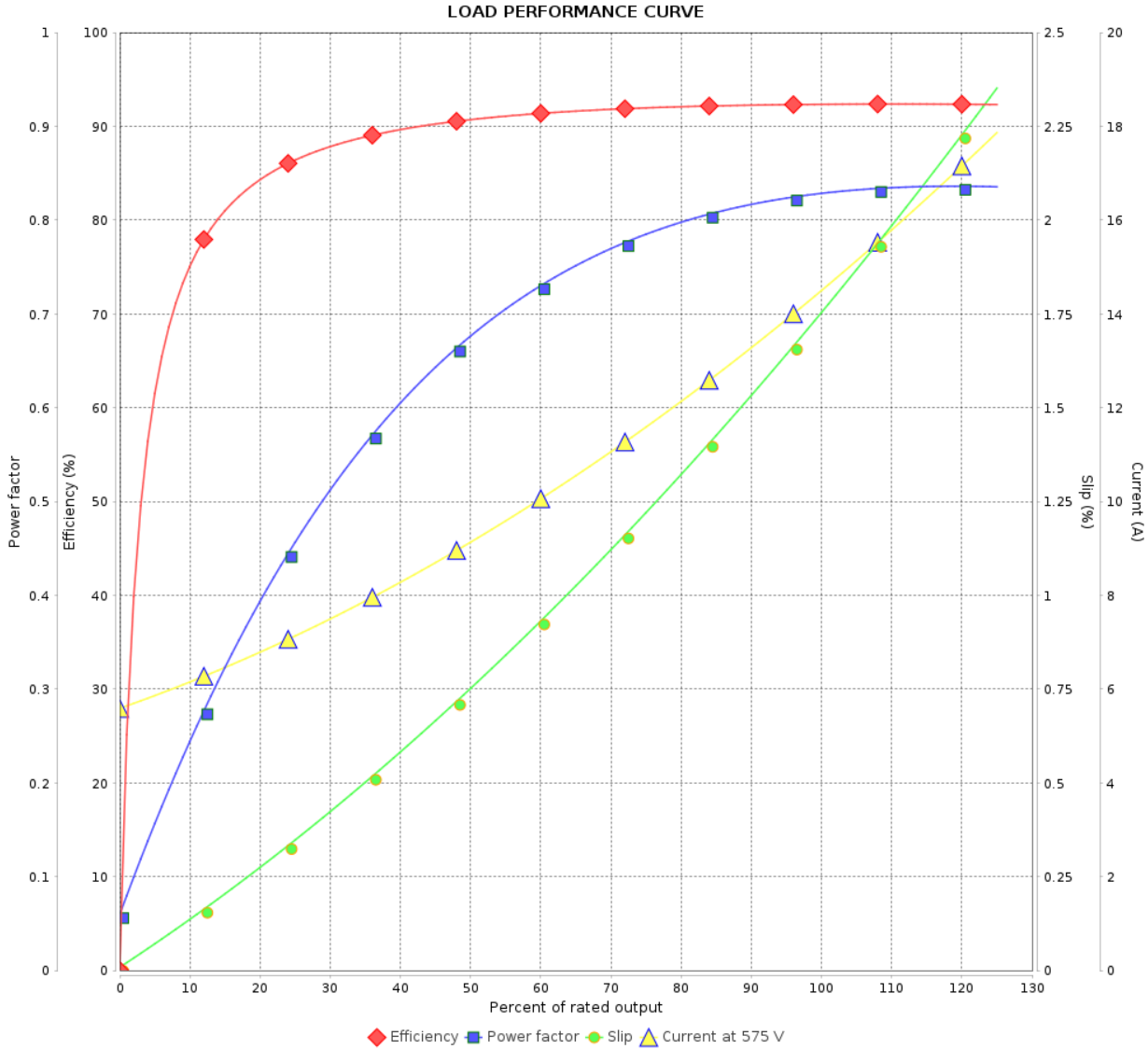
LOAD PERFORMANCE CURVE

Three Phase Induction Motor - Squirrel Cage



Customer :

Product line : W22 Close Coupled Pump JP
 NEMA Premium Efficiency Three-Phase
 Product code : 12712072



Performance : 575 V 60 Hz 4P

Rated current	: 14.4 A	Moment of inertia (J)	: 0.1104 kgm ²
LRC	: 6.4	Duty cycle	: Cont.(S1)
Rated torque	: 6.16 kgfm	Insulation class	: F
Locked rotor torque	: 240 %	Service factor	: 1.25
Breakdown torque	: 260 %	Temperature rise	: 80 K
Rated speed	: 1768 rpm	Design	: B

Rev.	Changes Summary	Performed	Checked	Date
Performed by			Page 2 / 2	Revision
Checked by				
Date	24/10/2024			

1 2 3 4 5 6

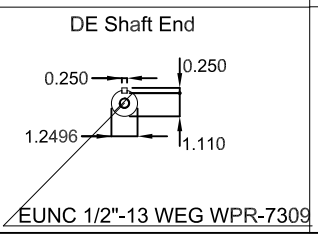
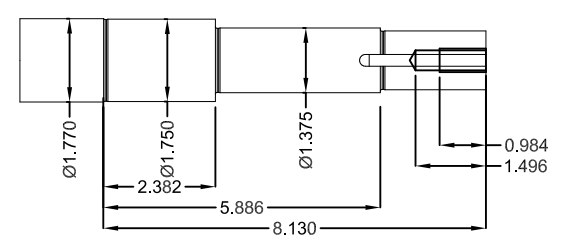
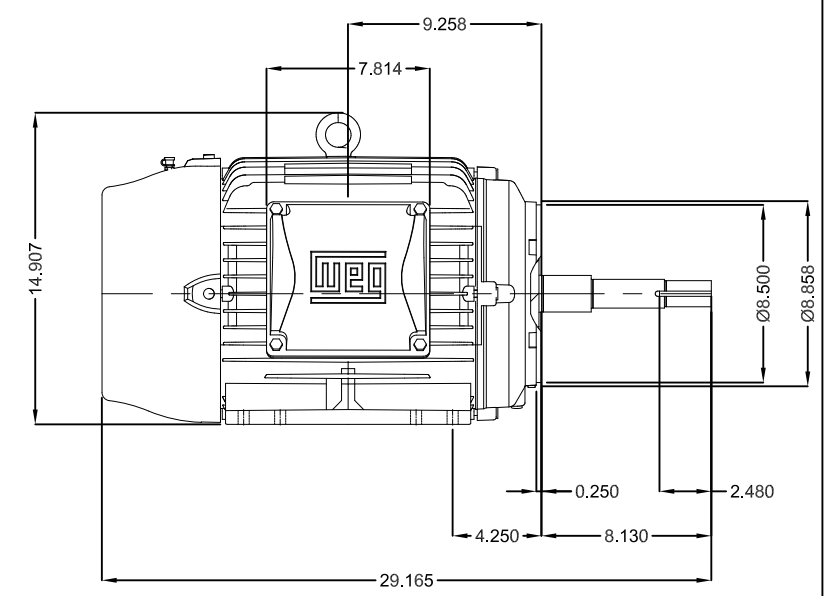
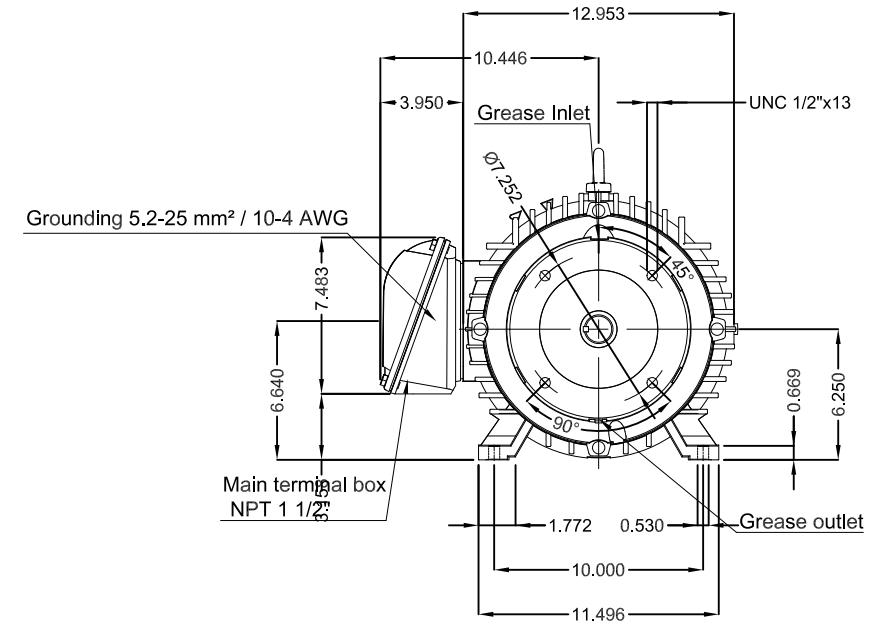
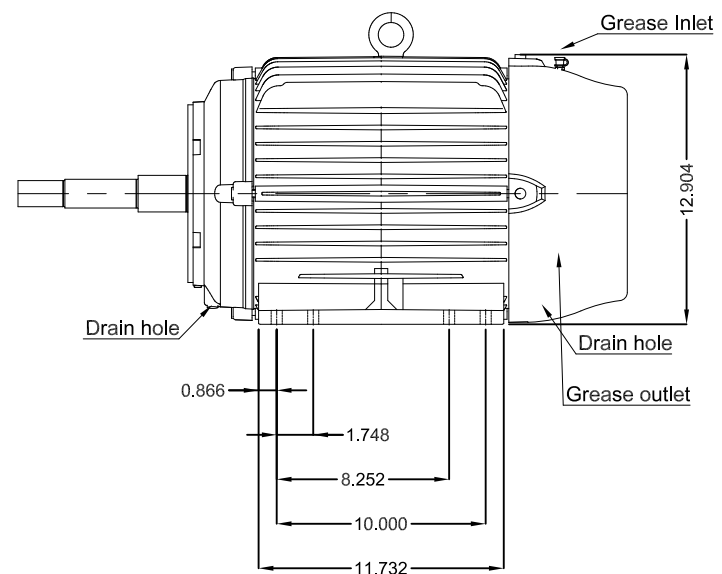
A

B

C

D

E



EUNC 1/2"-13 WEG WPR-7309

15 HP 04 Poles 60 Hz A

- Without vertical jackscrews
- Color RAL 5009
- Painting plan 203A
- Mounting NEMA F-1
- Mounting B34R(D)

ECM	LOC	SUMMARY OF MODIFICATIONS				HYBRISUSER	EXECUTED	CHECKED	RELEASED	DATE	VER
EXECUTED	HYBRISUSER	THREE PH. MOTOR JM/JP/JET PUMP W22 NEMA PREM. EFF. FRAME 254/6JP IP55 TEFC				HYBRISUSER					00
CHECKED											
RELEASED											
REL. DATE											
						PREVIEW					
						WDD 00					
						SHEET /					

