

DATA SHEET



Three Phase Induction Motor - Squirrel Cage

Customer	:			
Product line	: JP Pump NEMA Premium Efficiency Three-Phase	Product code : 13373345		
Frame	: 213/5JP	Cooling method : IC411 - TEFC		
Insulation class	: F	Mounting : F-1		
Duty cycle	: Cont.(S1)	Rotation ¹ : Both (CW and CCW)		
Ambient temperature	: -20°C to +40°C	Starting method : Direct On Line		
Altitude	: 1000 m.a.s.l.	Approx. weight ³ : 76.1 kg		
Protection degree	: IP55	Moment of inertia (J) : 0.0303 kgm ²		
Design	: B			
Output [HP]		10		
Poles		2		
Frequency [Hz]		60		
Rated voltage [V]		575		
Rated current [A]		9.20		
L. R. Amperes [A]		69.0		
LRC [A]		7.5x(Code H)		
No load current [A]		3.01		
Rated speed [RPM]		3530		
Slip [%]		1.94		
Rated torque [kgfm]		2.06		
Locked rotor torque [%]		260		
Breakdown torque [%]		300		
Service factor		1.15		
Temperature rise		80 K		
Locked rotor time		21s (cold) 12s (hot)		
Noise level ²		70.0 dB(A)		
Efficiency (%)	25%			
	50%	89.5		
	75%	90.2		
	100%	90.2		
Power Factor	25%			
	50%	0.80		
	75%	0.88		
	100%	0.91		
Bearing type	: <u>Drive end</u> 6209 ZZ <u>Non drive end</u> 6206 ZZ	Foundation loads		
Sealing	: V'Ring V'Ring	Max. traction : 76 kgf		
Lubrication interval	: - -	Max. compression : 152 kgf		
Lubricant amount	: - -			
Lubricant type	: Mobil Polyrex EM			
Notes				
This revision replaces and cancel the previous one, which must be eliminated. (1) Looking the motor from the shaft end. (2) Measured at 1m and with tolerance of +3dB(A). (3) Approximate weight subject to changes after manufacturing process. (4) At 100% of full load.		These are average values based on tests with sinusoidal power supply, subject to the tolerances stipulated in NEMA MG-1.		
Rev.	Changes Summary	Performed	Checked	Date
Performed by				
Checked by			Page	Revision
Date	16/05/2022		1 / 2	

LOAD PERFORMANCE CURVE

Three Phase Induction Motor - Squirrel Cage

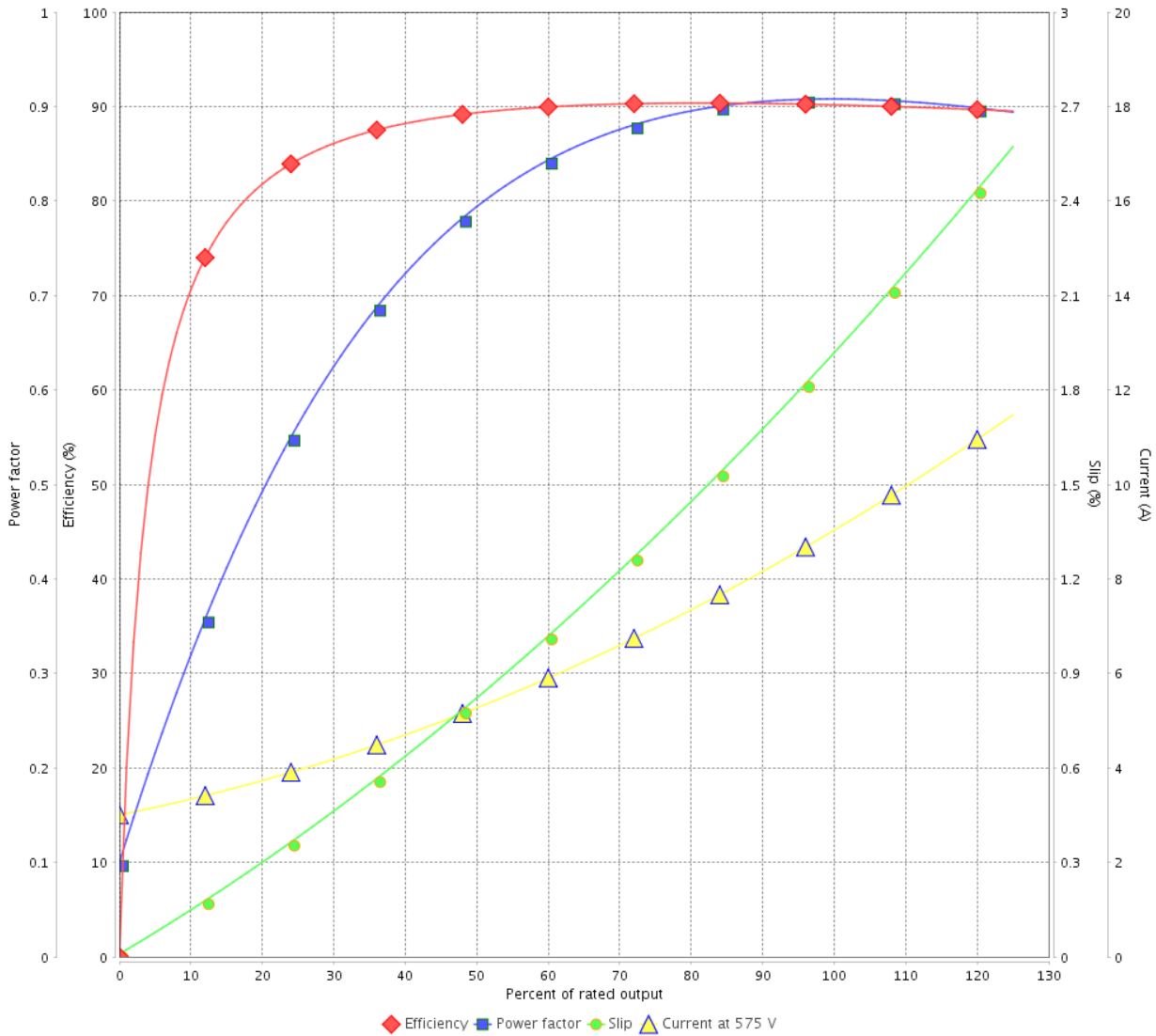


Customer :

Product line : JP Pump NEMA Premium
Efficiency Three-Phase

Product code : 13373345

LOAD PERFORMANCE CURVE



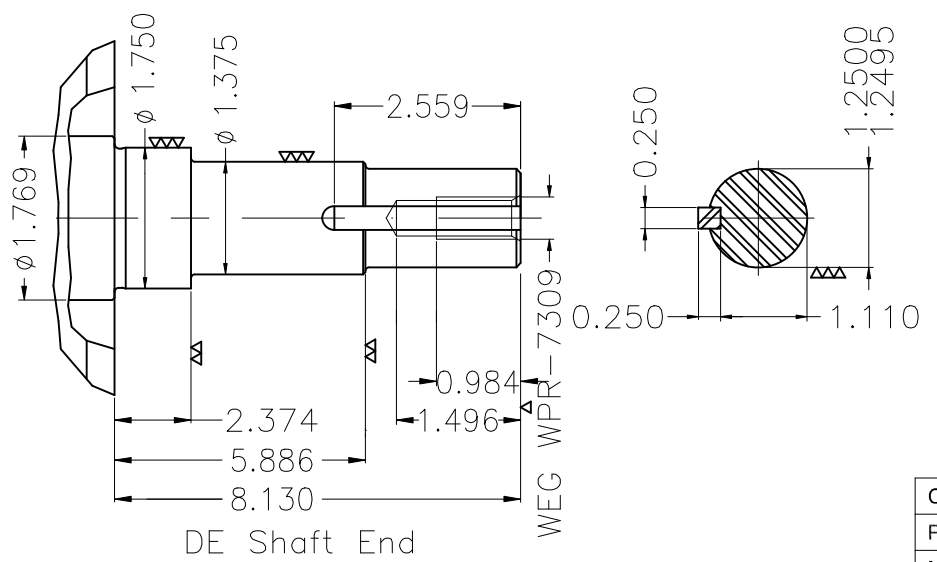
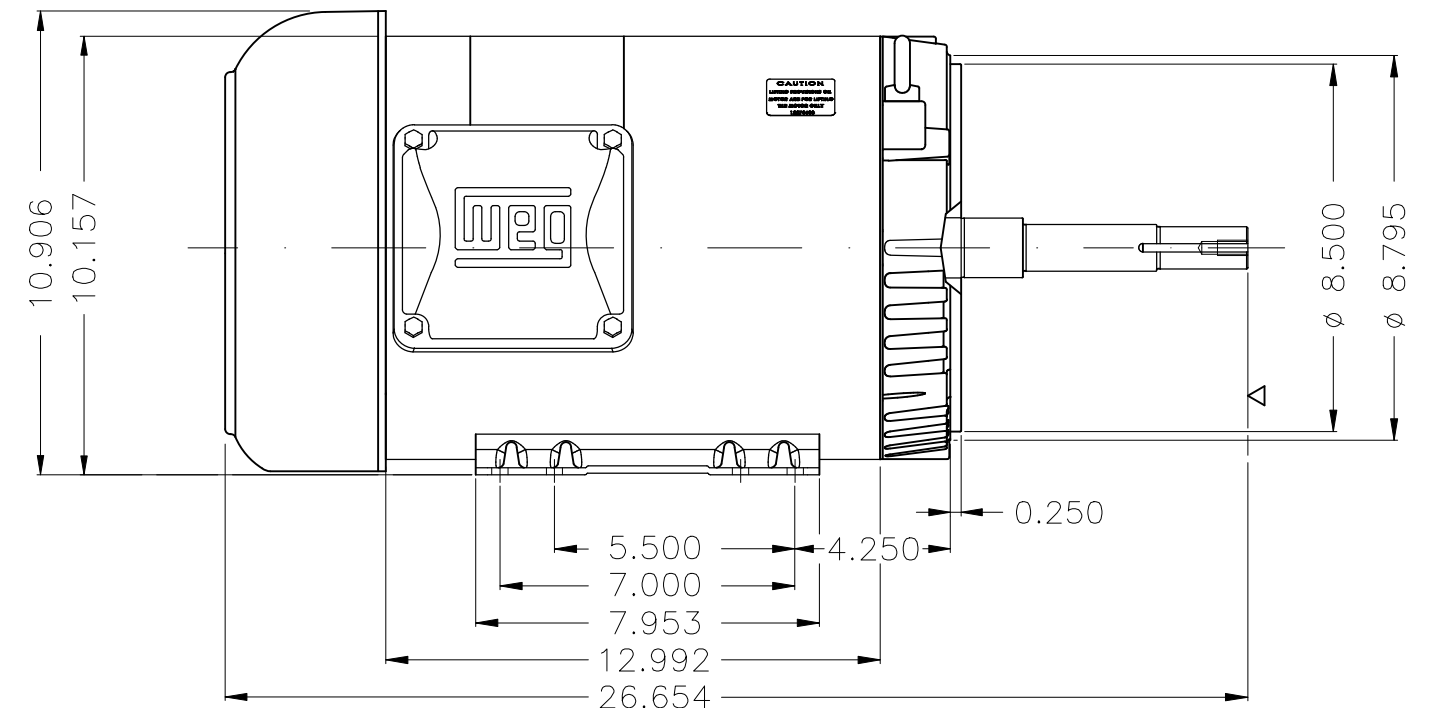
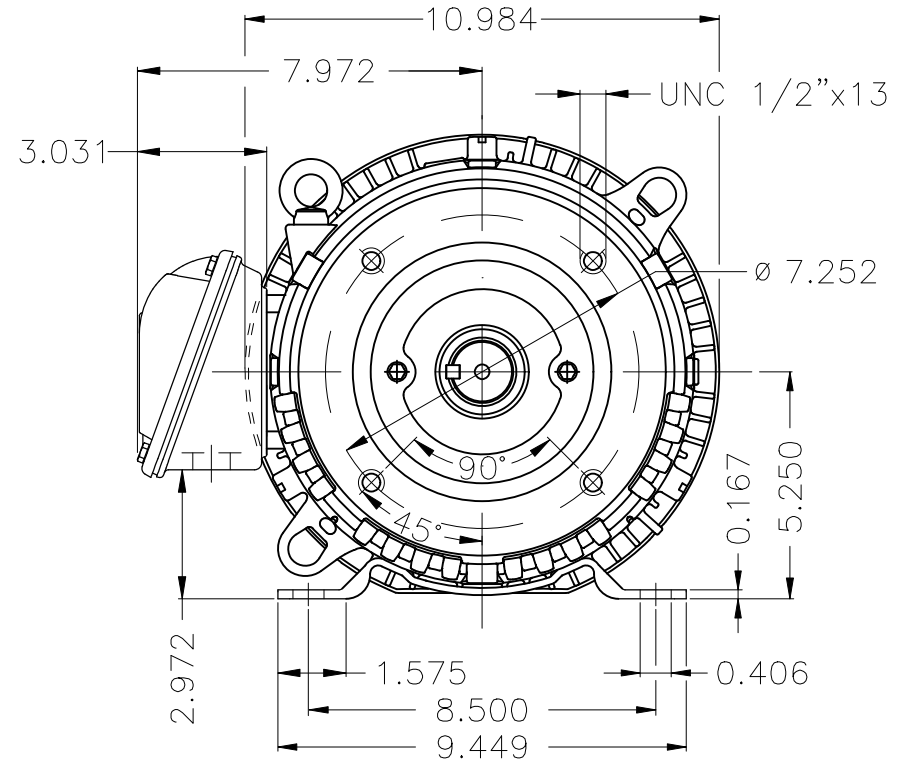
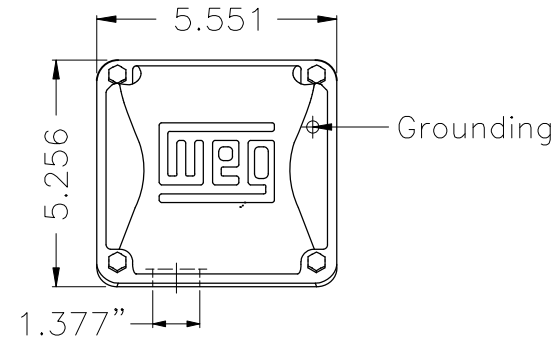
Performance : 575 V 60 Hz 2P

Rated current : 9.20 A
LRC : 7.5
Rated torque : 2.06 kgfm
Locked rotor torque : 260 %
Breakdown torque : 300 %
Rated speed : 3530 rpm

Moment of inertia (J) : 0.0303 kgm²
Duty cycle : Cont.(S1)
Insulation class : F
Service factor : 1.15
Temperature rise : 80 K
Design : B

Rev.	Changes Summary	Performed	Checked	Date
Performed by			Page	Revision
Checked by				
Date				

A
B
C
D
E



EUNC 1/2"-13 WEG WPR-7309

DE Shaft End

Color Munsell N 1 matte black
 Painting plan 207N
 Mounting B34D

ECM	LOC	SUMMARY OF MODIFICATIONS	EXECUTED	CHECKED	RELEASED	DATE	VER
EXECUTED	HYBRISUSER	THREE PH. MOTOR ROLLED STEEL JP NEMA PREM. EFF.					00
CHECKED		FRAME 213/5JP IP55 TEFC					
RELEASED							
REL. DATE	WMO	Jaragua do Sul	Product Engineering	WDD	00	1 / 1	

10 HP 02 Poles 60 Hz



Dimensions in inches XME A3