

DATA SHEET

Three Phase Induction Motor - Squirrel Cage



Customer :			
Product line	: Jet Pump - J type Standard Efficiency Three-Phase	Product code :	13905945
Frame	: 56J	Cooling method	: IC01 - ODP
Insulation class	: F	Mounting	: F-1
Duty cycle	: Cont.(S1)	Rotation ¹	: CCW
Ambient temperature	: -20°C to +40°C	Starting method	: Direct On Line
Altitude	: 1000 m.a.s.l.	Approx. weight ³	: 15.0 kg
Design	: A	Moment of inertia (J)	: 0.0040 kgm ²
Output [HP]	3	2	2
Poles	2	2	2
Frequency [Hz]	60	50	50
Rated voltage [V]	230/460	190/380	220/415
Rated current [A]	7.78/3.89	6.30/3.15	6.02/3.19
L. R. Amperes [A]	54.5/27.2	48.5/24.3	51.1/27.1
LRC [A]	7.0x(Code J)	7.7x(Code J)	8.5x(Code L)
No load current [A]	3.20/1.60	3.20/1.60	4.15/2.20
Rated speed [RPM]	3450	2875	2900
Slip [%]	4.17	4.17	3.33
Rated torque [kgfm]	0.631	0.505	0.501
Locked rotor torque [%]	220	260	320
Breakdown torque [%]	250	300	360
Service factor		1.15	1.15
Temperature rise	80 K	80 K	80 K
Locked rotor time	14s (cold) 8s (hot)	0s (cold) 0s (hot)	0s (cold) 0s (hot)
Noise level ²	62.0 dB(A)	60.0 dB(A)	60.0 dB(A)
Efficiency (%)	25%		
	50%	80.0	81.0
	75%	81.5	82.8
	100%	81.5	82.2
Power Factor	25%		
	50%	0.70	0.69
	75%	0.82	0.82
	100%	0.87	0.88
Bearing type	: <u>Drive end</u> 6203 2RS <u>Non drive end</u> 6202 2RS	Foundation loads	
Sealing	: Without Without Bearing Seal Bearing Seal	Max. traction	: 50 kgf
Lubrication interval	: - -	Max. compression	: 65 kgf
Lubricant amount	: - -		
Lubricant type	: Mobil Polyrex EM		
Notes USABLE @208V 8.60A SF 1.00 SFA 8.60A			
This revision replaces and cancel the previous one, which must be eliminated. (1) Looking the motor from the shaft end. (2) Measured at 1m and with tolerance of +3dB(A). (3) Approximate weight subject to changes after manufacturing process. (4) At 100% of full load.		These are average values based on tests with sinusoidal power supply, subject to the tolerances stipulated in NEMA MG-1.	
Rev.	Changes Summary	Performed	Checked
Performed by			
Checked by			
Date	16/05/2022		
		Page	Revision
		1 / 4	

LOAD PERFORMANCE CURVE

Three Phase Induction Motor - Squirrel Cage

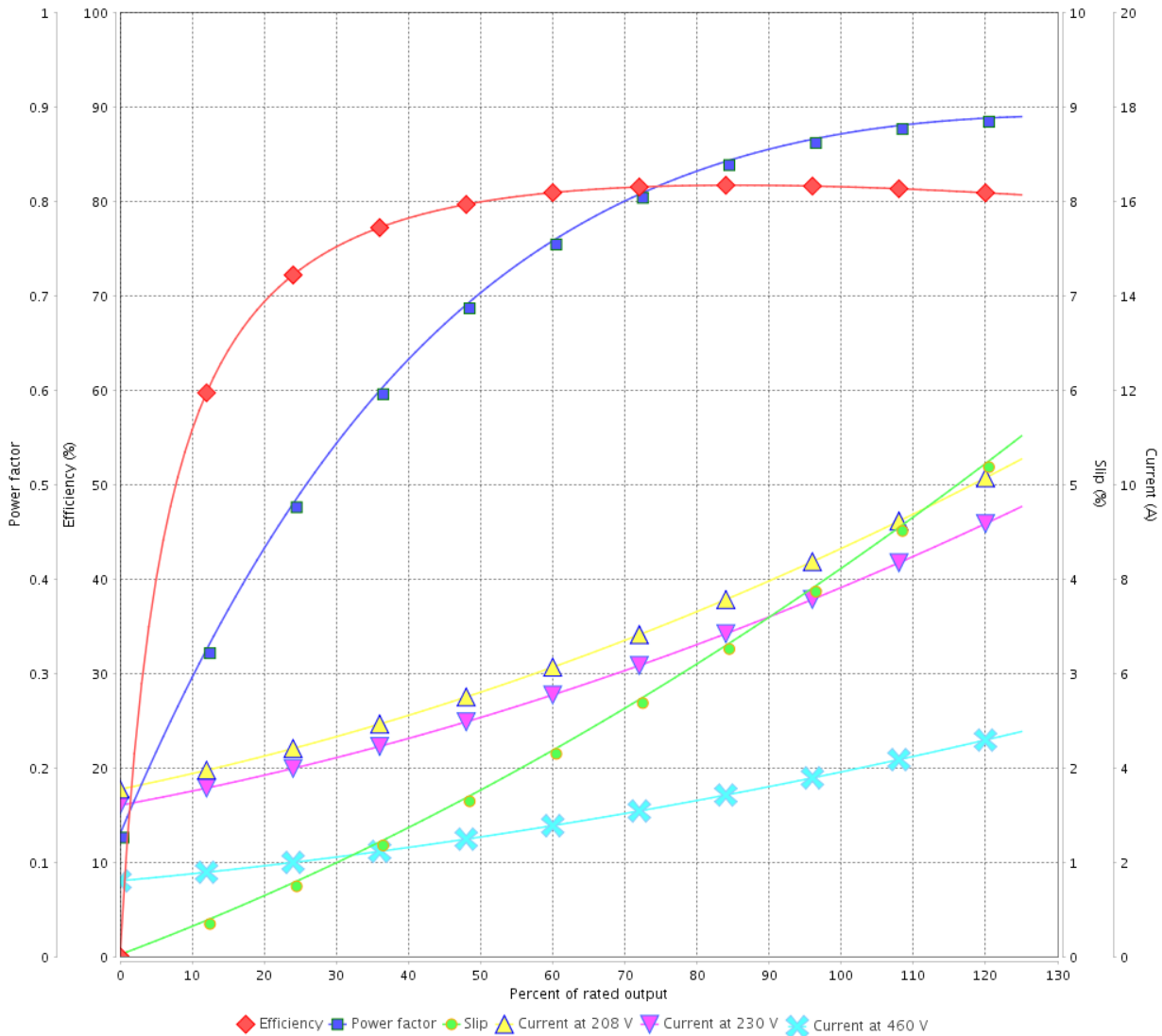


Customer :

Product line : Jet Pump - J type Standard
Efficiency Three-Phase

Product code : 13905945

LOAD PERFORMANCE CURVE



Performance : 230/460 V 60 Hz 2P

Rated current : 7.78/3.89 A
LRC : 7.0
Rated torque : 0.631 kgfm
Locked rotor torque : 220 %
Breakdown torque : 250 %
Rated speed : 3450 rpm

Moment of inertia (J) : 0.0040 kgm²
Duty cycle : Cont.(S1)
Insulation class : F
Service factor :
Temperature rise : 80 K
Design : A

Rev.	Changes Summary	Performed	Checked	Date
Performed by			Page 2 / 4	Revision
Checked by				
Date	16/05/2022			

LOAD PERFORMANCE CURVE

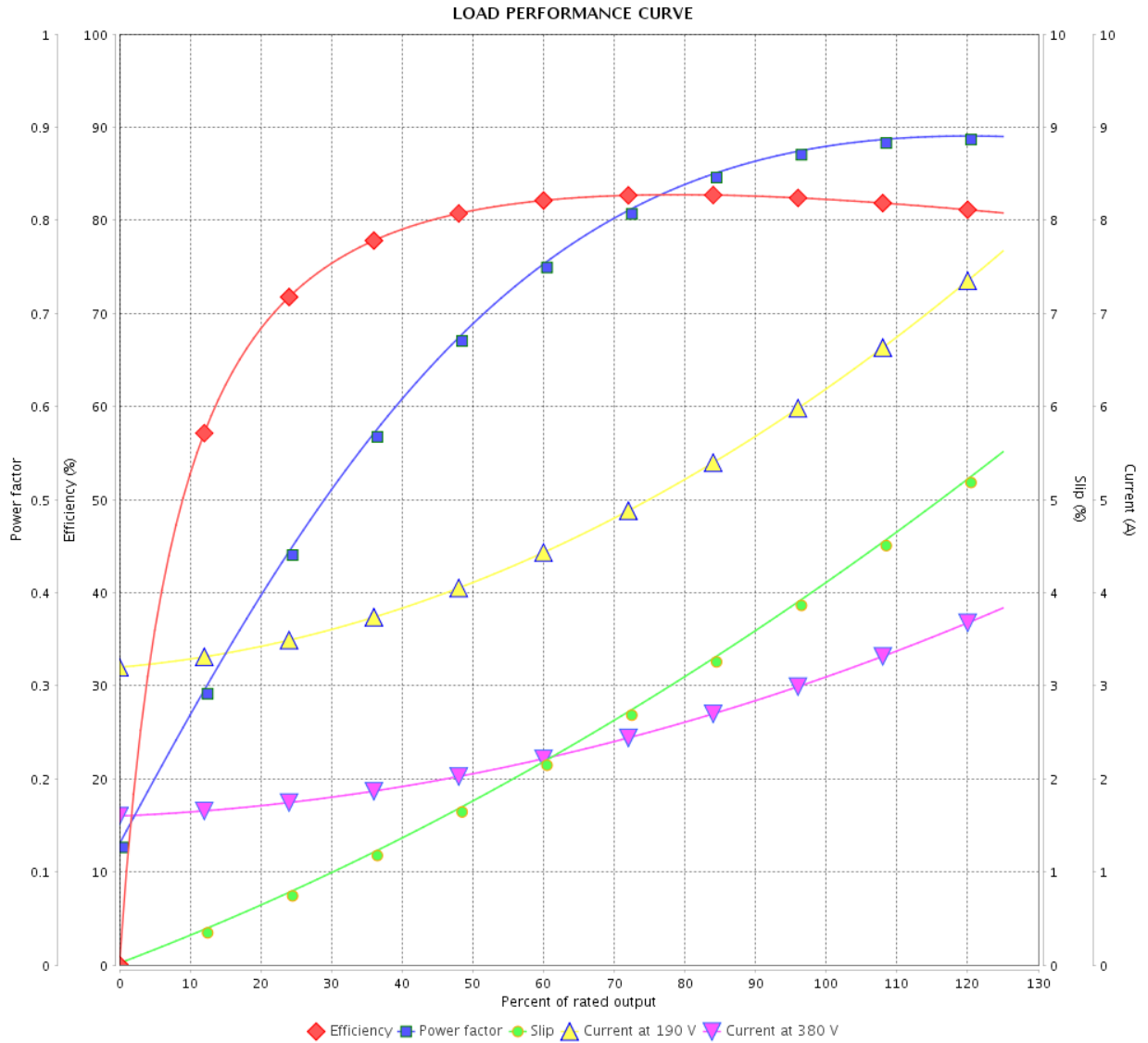
Three Phase Induction Motor - Squirrel Cage



Customer :

Product line : Jet Pump - J type Standard
Efficiency Three-Phase

Product code : 13905945



Performance : 190/380 V 50 Hz 2P

Rated current : 6.30/3.15 A
LRC : 7.7
Rated torque : 0.505 kgfm
Locked rotor torque : 260 %
Breakdown torque : 300 %
Rated speed : 2875 rpm

Moment of inertia (J) : 0.0040 kgm²
Duty cycle : Cont.(S1)
Insulation class : F
Service factor : 1.15
Temperature rise : 80 K
Design : A

Rev.	Changes Summary	Performed	Checked	Date
Performed by		Page		Revision
Checked by		3 / 4		
Date		16/05/2022		

LOAD PERFORMANCE CURVE

Three Phase Induction Motor - Squirrel Cage

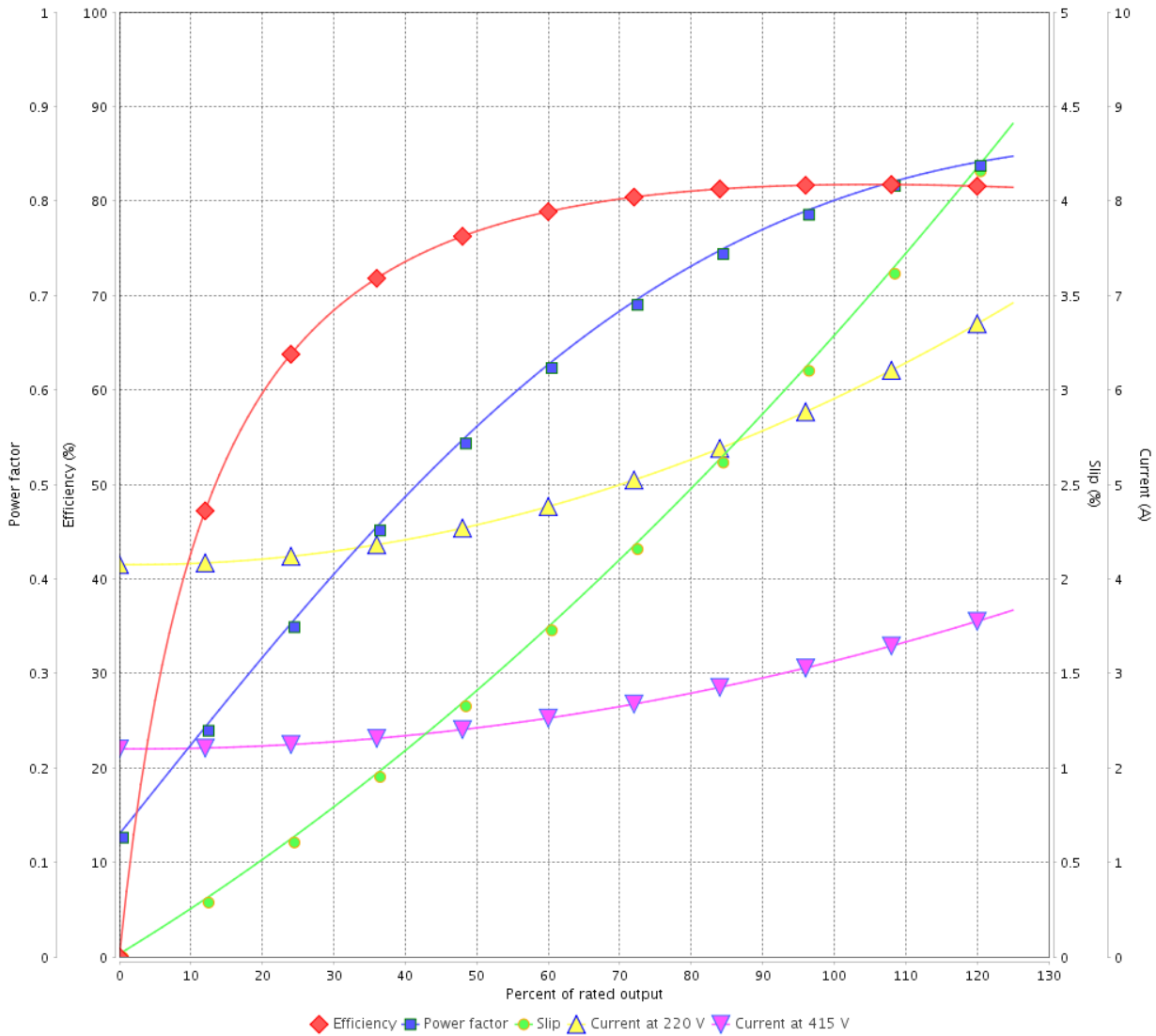


Customer :

Product line : Jet Pump - J type Standard
Efficiency Three-Phase

Product code : 13905945

LOAD PERFORMANCE CURVE

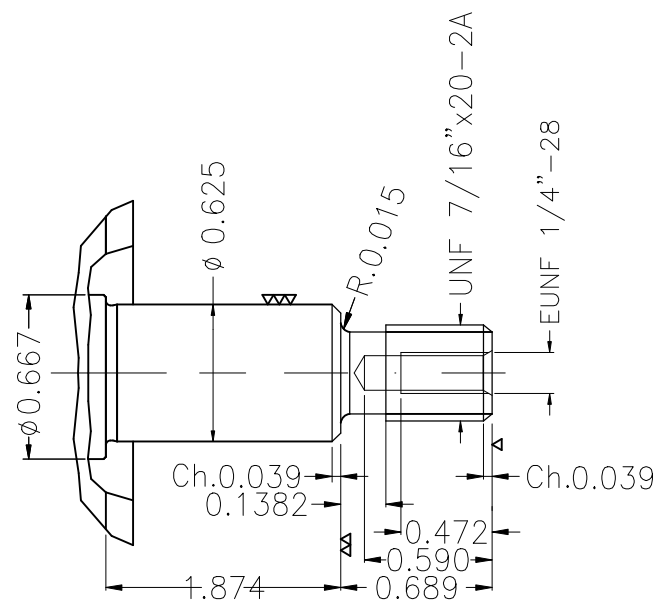
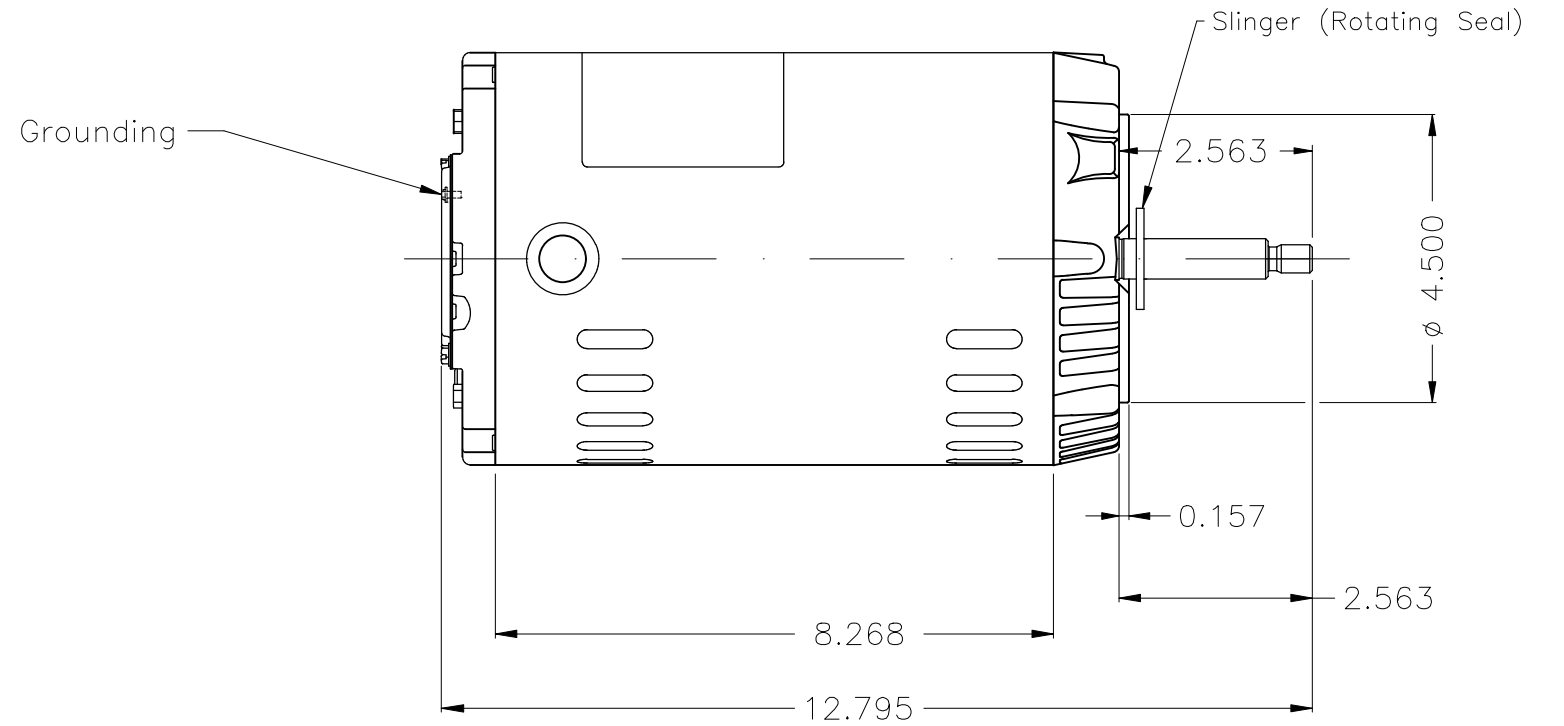
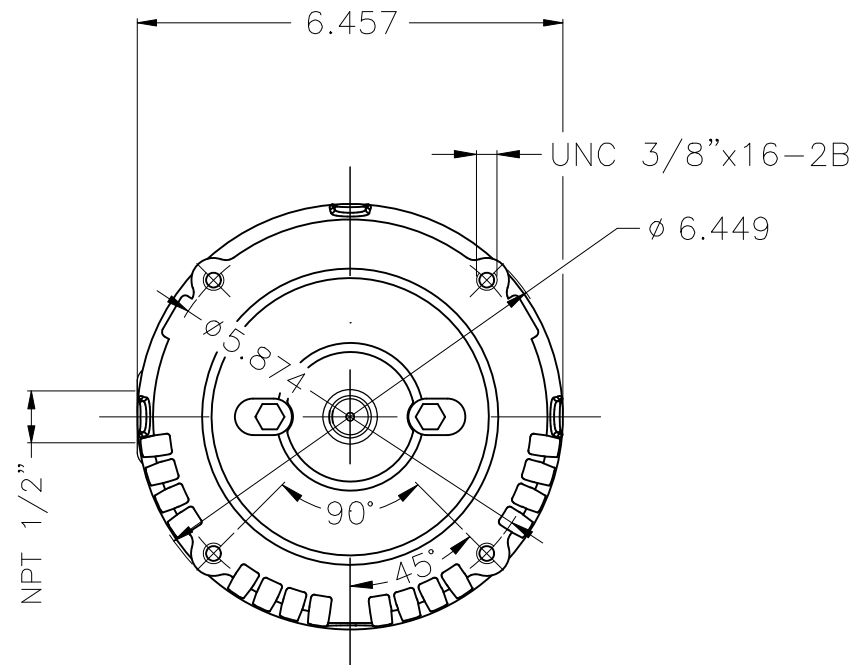


Performance : 220/415 V 50 Hz 2P

Rated current : 6.02/3.19 A
LRC : 8.5
Rated torque : 0.501 kgfm
Locked rotor torque : 320 %
Breakdown torque : 360 %
Rated speed : 2900 rpm

Moment of inertia (J) : 0.0040 kgm²
Duty cycle : Cont.(S1)
Insulation class : F
Service factor : 1.15
Temperature rise : 80 K
Design : A

Rev.	Changes Summary	Performed	Checked	Date
Performed by			Page	Revision
Checked by				
Date				



Color Munsell N 1 matte black
 Painting plan 207N
 Mounting F-1/B14R(D)

ECM	LOC	SUMMARY OF MODIFICATIONS	EXECUTED	CHECKED	RELEASED	DATE	VER

EXECUTED	HYBRISUSER	THREE PH. MOTOR ROLLED STEEL JET PUMP THREADED FRAME 56J IP21 ODP	PREVIEW	WDD	00	WEG
CHECKED						
RELEASED						
REL. DATE	WMO	Jaragua do Sul	Product Engineering	SHEET	1 / 1	

3 HP 02 Poles 60 Hz

A