

DATA SHEET



Single Phase Induction Motor - Squirrel Cage

Customer :					
Product line		: Wjet Pump Single-Phase		Product code : 10674757	
Frame	: E56J	Locked rotor time	: 10s (cold) 6s (hot)		
Output	: 3 HP (2.2 kW)	Temperature rise	: 80 K		
Poles	: 2	Duty cycle	: Cont.(S1)		
Frequency	: 60 Hz	Ambient temperature	: -20°C to +40°C		
Rated voltage	: 115/208-230 V	Altitude	: 1000 m.a.s.l.		
Rated current	: 27.2/13.8-13.6 A	Protection degree	: IP21		
L. R. Amperes	: 188/95.2-93.8 A	Cooling method	: IC01 - ODP		
LRC	: 6.9x(Code J)	Mounting	: F-1		
No load current	: 14.4/6.21-7.20 A	Rotation ¹	: CCW		
Rated speed	: 3450 rpm	Starting method	: Direct On Line		
Slip	: 4.17 %	Approx. weight ³	: 18.7 kg		
Rated torque	: 0.631 kgfm				
Locked rotor torque	: 150 %				
Breakdown torque	: 240 %				
Insulation class	: B				
Service factor	: 1.15				
Moment of inertia (J)	: 0.0232 kgm ²				
Output	50%	75%	100%	Foundation loads	
Efficiency (%)	76.8	79.7	80.1	Max. traction : 39 kgf	
Power Factor	0.71	0.72	0.88	Max. compression : 58 kgf	
		<u>Drive end</u>		<u>Non drive end</u>	
Bearing type	:	6203 2RS		6203 2RS	
Sealing	:	Slinger		Without Bearing Seal	
Lubrication interval	:	-		-	
Lubricant amount	:	-		-	
Lubricant type	:	Mobil Polyrex EM			
Notes					
This revision replaces and cancel the previous one, which must be eliminated. (1) Looking the motor from the shaft end. (2) Measured at 1m and with tolerance of +3dB(A). (3) Approximate weight subject to changes after manufacturing process. (4) At 100% of full load.			These are average values based on tests with sinusoidal power supply, subject to the tolerances stipulated in NEMA MG-1.		
Rev.	Changes Summary		Performed	Checked	Date
Performed by					
Checked by				Page	Revision
Date	24/10/2024			1 / 2	

LOAD PERFORMANCE CURVE

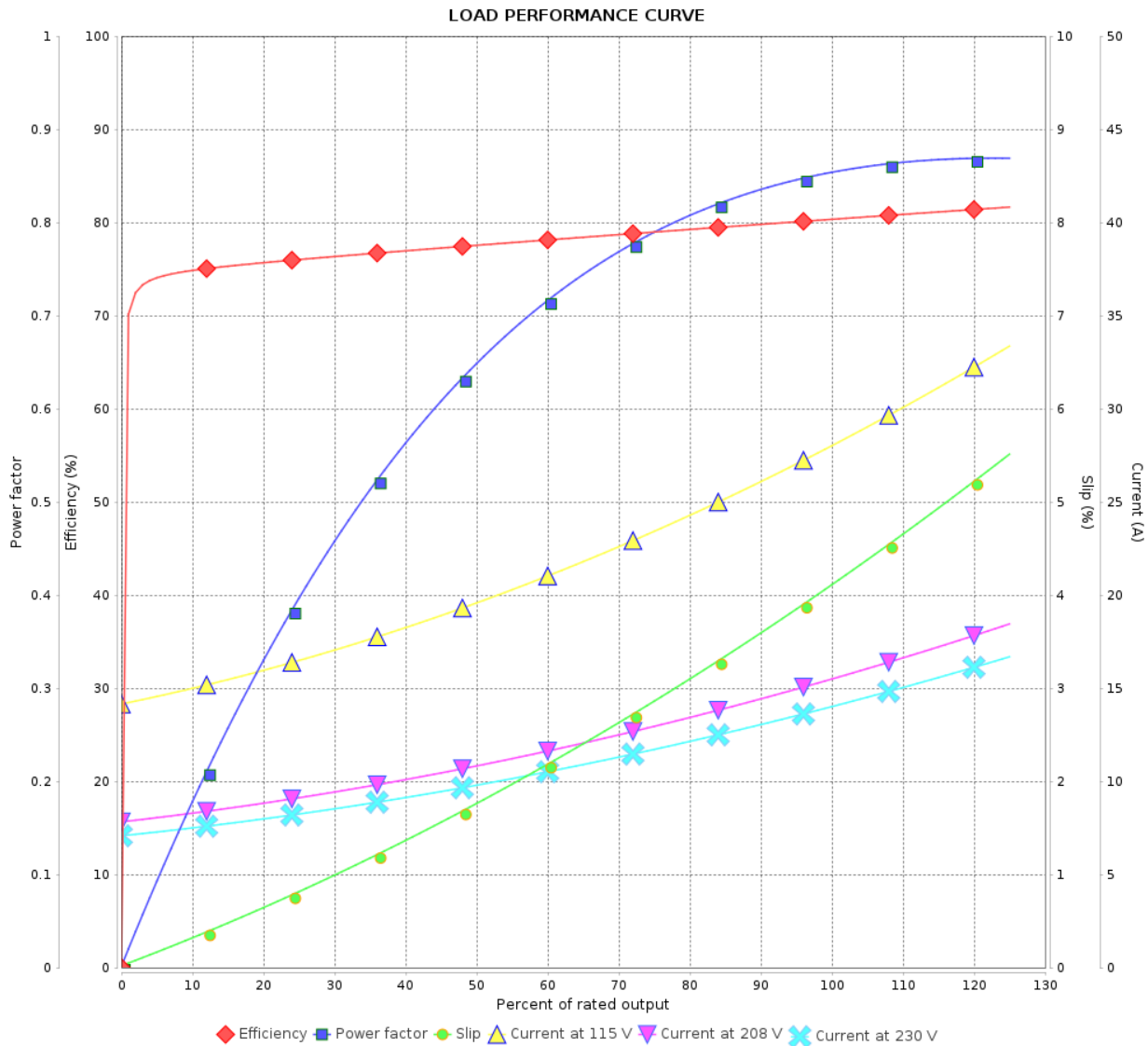
Single Phase Induction Motor - Squirrel Cage



Customer : _____

Product line : Wjet Pump Single-Phase

Product code : 10674757



Performance : 115/208-230 V 60 Hz 2P

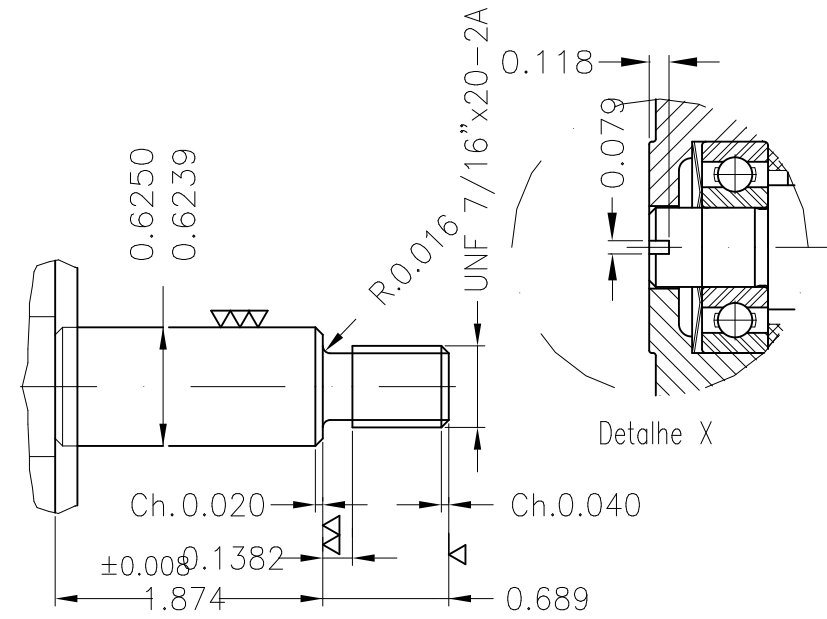
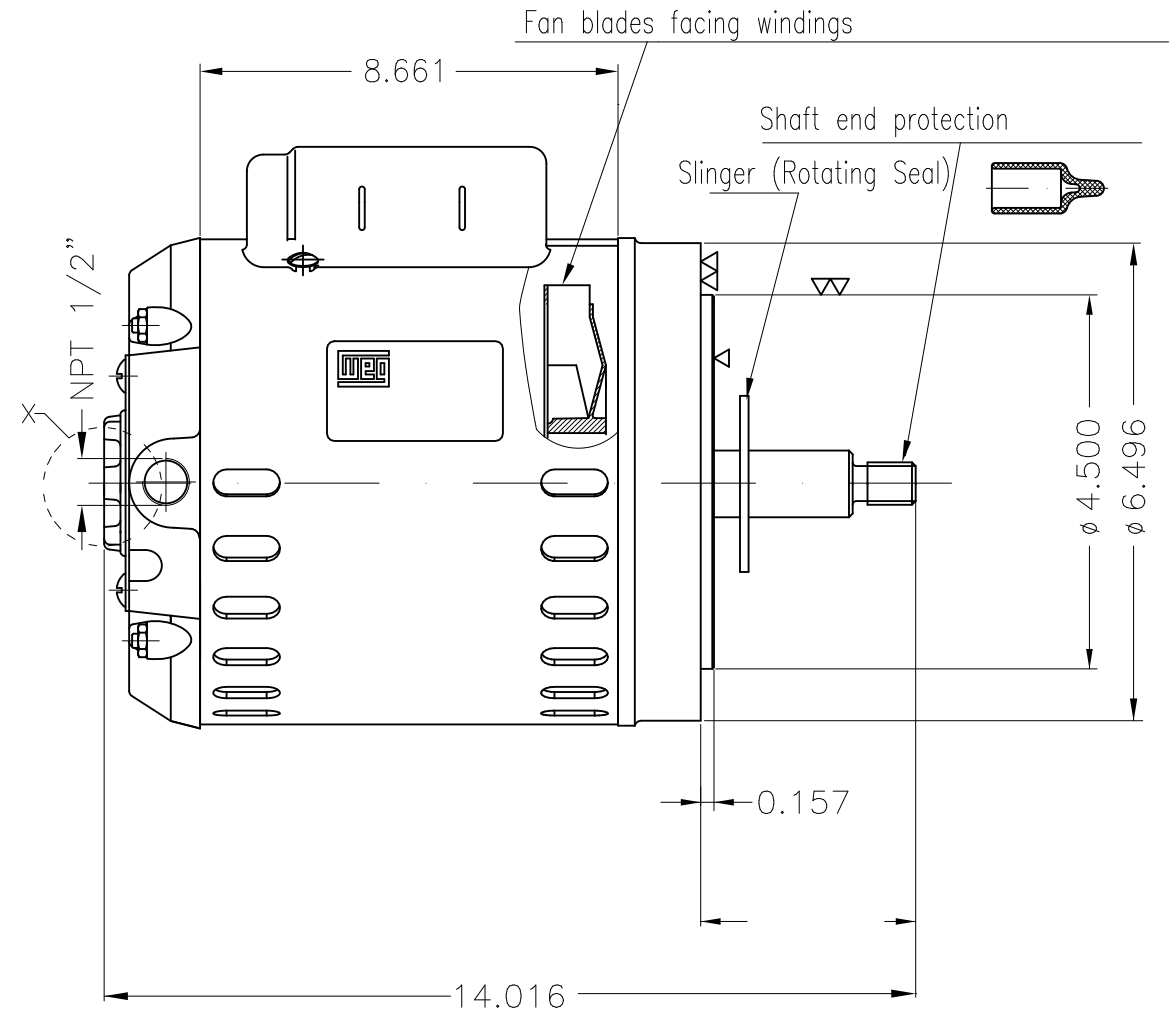
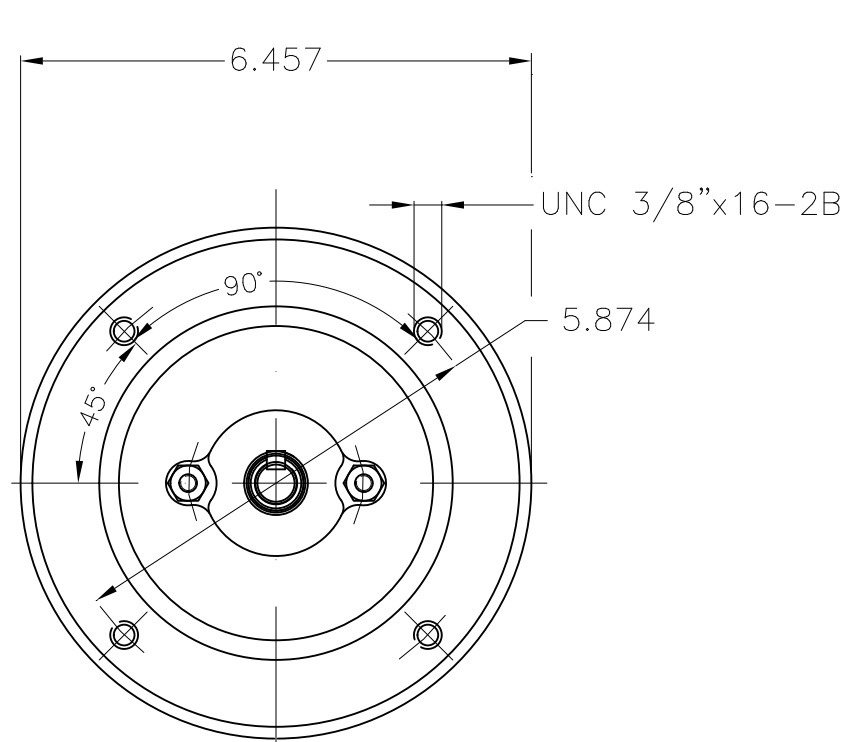
Rated current : 27.2/13.8-13.6 A
 LRC : 6.9
 Rated torque : 0.631 kgfm
 Locked rotor torque : 150 %
 Breakdown torque : 240 %
 Rated speed : 3450 rpm

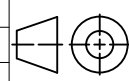
Moment of inertia (J) : 0.0232 kgm²
 Duty cycle : Cont.(S1)
 Insulation class : B
 Service factor :
 Temperature rise : 80 K

Rev.	Changes Summary	Performed	Checked	Date
Performed by			Page	Revision
Checked by				
Date				

1 2 3 4 5 6

A
B
C
D
E



Mounting B14R(D)						
ECM	LOC	SUMMARY OF MODIFICATIONS	EXECUTED	CHECKED	RELEASED	DATE
EXECUTED	HYBRISUSER	 SINGLE PH. MOTOR WJET PUMP FRAME E56J IP21 ODP				
CHECKED						
RELEASED						
REL. DATE		WMO Jaragua do Sul	Product Engineering			

3 HP 02 Poles 60 Hz

PREVIEW
WDD 00
SHEET 1 / 1

