

DATA SHEET



Single Phase Induction Motor - Squirrel Cage

Customer :

Product line : Wjet Pump Single-Phase Start Capacitor Product code : 11953261

| | | | |
|-----------------------|---------------------------|-----------------------------|-----------------------|
| Frame | : E56J | Locked rotor time | : 10s (cold) 6s (hot) |
| Output | : 2 HP (1.5 kW) | Temperature rise | : 80 K |
| Poles | : 2 | Duty cycle | : Cont.(S1) |
| Frequency | : 60 Hz | Ambient temperature | : -20°C to +40°C |
| Rated voltage | : 115/208-230 V | Altitude | : 1000 m.a.s.l. |
| Rated current | : 23.0/11.6-11.5 A | Protection degree | : IP21 |
| L. R. Amperes | : 136/68.4-67.9 A | Cooling method | : IC01 - ODP |
| LRC | : 5.9x(Code J) | Mounting | : F-1 |
| No load current | : 15.0/6.47-7.50 A | Rotation ¹ | : CCW |
| Rated speed | : 3450 rpm | Starting method | : Direct On Line |
| Slip | : 4.17 % | Approx. weight ³ | : 15.1 kg |
| Rated torque | : 0.421 kgfm | | |
| Locked rotor torque | : 160 % | | |
| Breakdown torque | : 220 % | | |
| Insulation class | : B | | |
| Service factor | : 1.20 | | |
| Moment of inertia (J) | : 0.0185 kgm ² | | |

| | | | | | | |
|----------------|------|------|------|------|------------------|----------|
| Output | 25% | 50% | 75% | 100% | Foundation loads | |
| Efficiency (%) | 64.4 | 65.0 | 70.0 | 70.0 | Max. traction | : 22 kgf |
| Power Factor | 0.35 | 0.63 | 0.73 | 0.80 | Max. compression | : 37 kgf |

| | | | |
|----------------------|---|------------------|----------------------|
| | | <u>Drive end</u> | <u>Non drive end</u> |
| Bearing type | : | 6203 2RS | 6203 2RS |
| Sealing | : | Slinger | Without Bearing Seal |
| Lubrication interval | : | - | - |
| Lubricant amount | : | - | - |
| Lubricant type | : | Mobil Polyrex EM | |

Notes:

This revision replaces and cancel the previous one, which must be eliminated.

- (1) Looking the motor from the shaft end.
- (2) Measured at 1m and with tolerance of +3dB(A).
- (3) Approximate weight subject to changes after manufacturing process.
- (4) At 100% of full load.

These are average values based on tests with sinusoidal power supply, subject to the tolerances stipulated in NEMA MG-1.

| Rev. | Changes Summary | Performed | Checked | Date |
|--------------|-----------------|-----------|---------|----------|
| | | | | |
| Performed by | | | | |
| Checked by | | | Page | Revision |
| Date | 14/01/2024 | | 1 / 2 | |

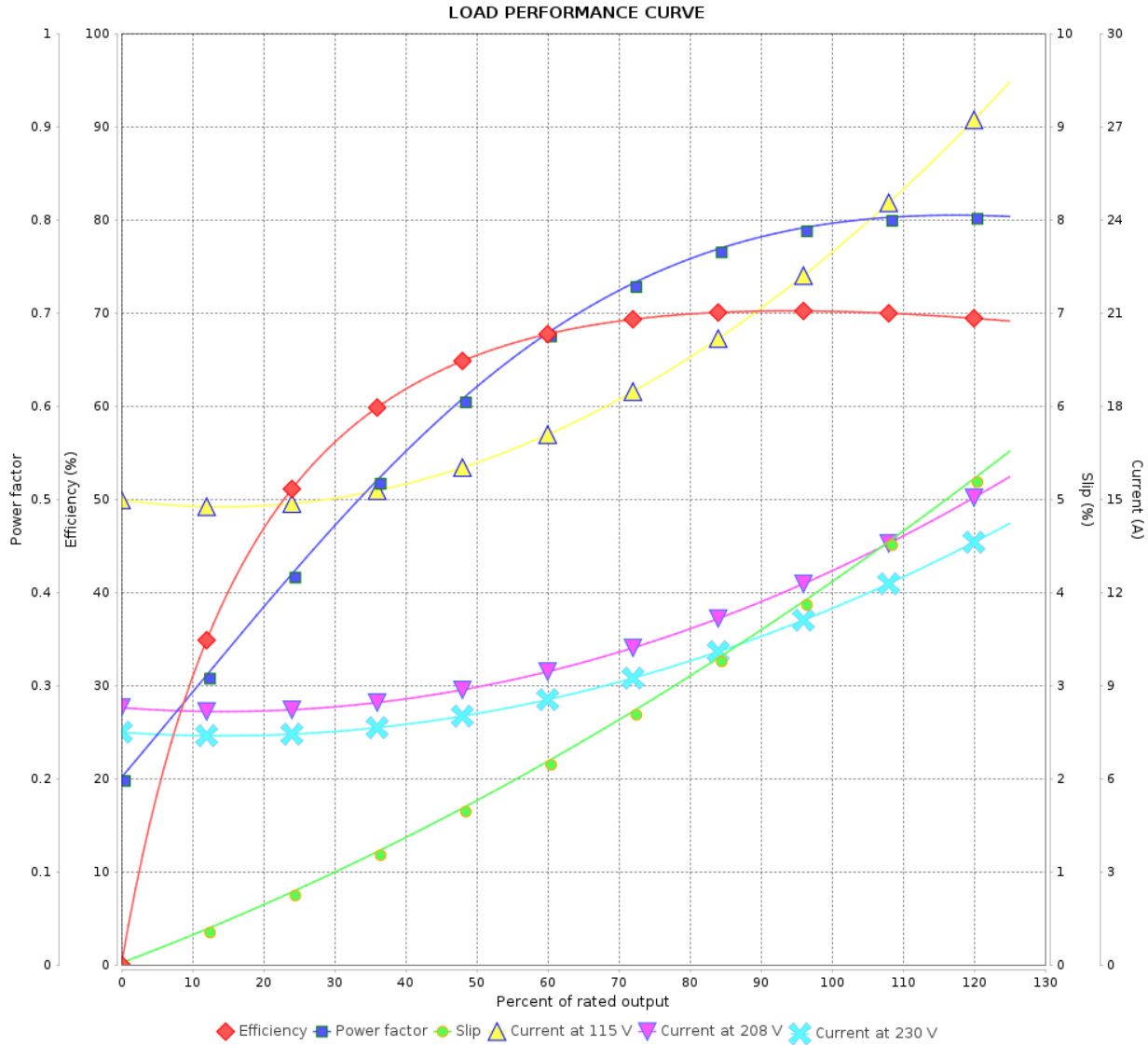
LOAD PERFORMANCE CURVE

Single Phase Induction Motor - Squirrel Cage



Customer :

Product line : Wjet Pump Single-Phase Start Capacitor Product code : 11953261



Performance : 115/208-230 V 60 Hz 2P

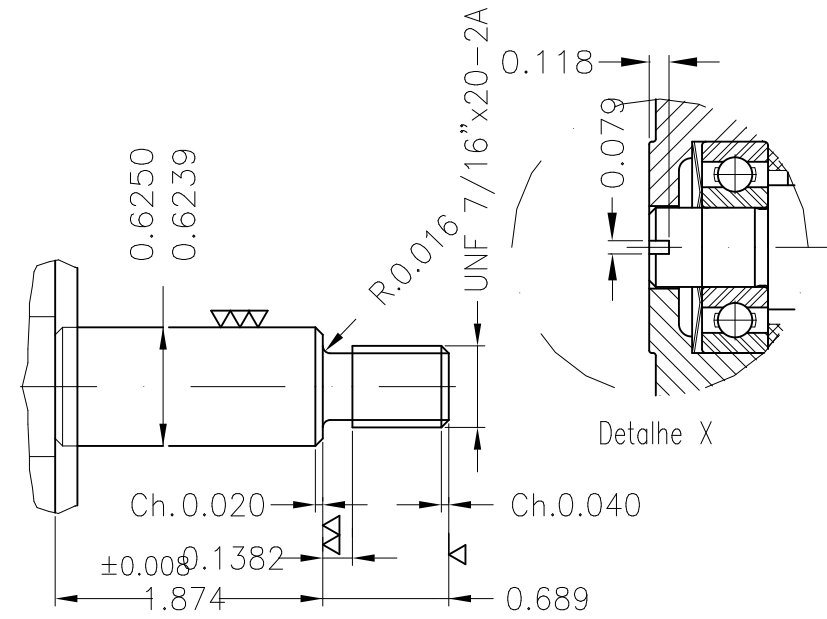
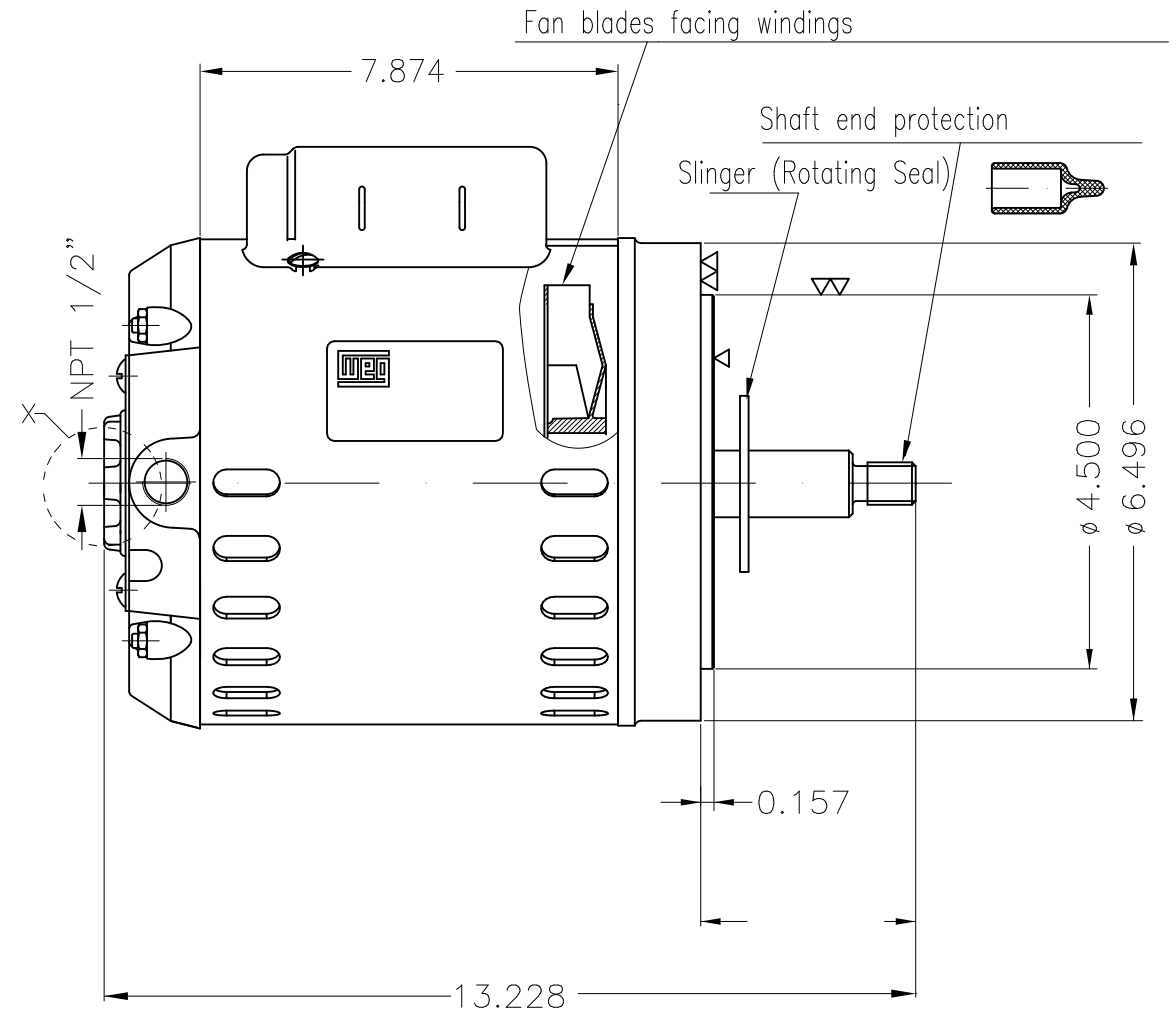
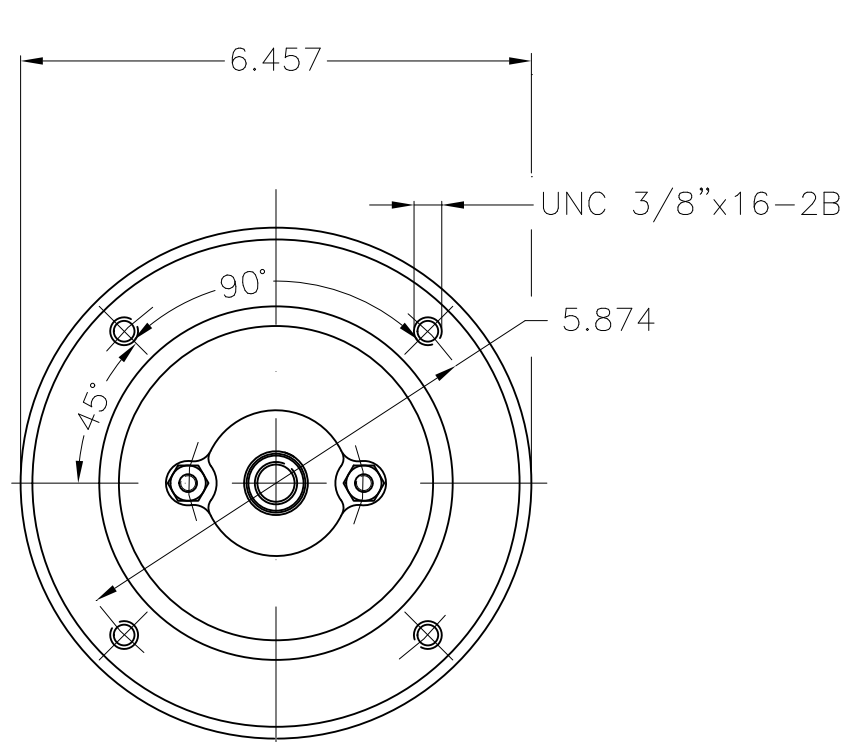
Rated current : 23.0/11.6-11.5 A
 LRC : 5.9
 Rated torque : 0.421 kgfm
 Locked rotor torque : 160 %
 Breakdown torque : 220 %
 Rated speed : 3450 rpm

Moment of inertia (J) : 0.0185 kgm²
 Duty cycle : Cont.(S1)
 Insulation class : B
 Service factor :
 Temperature rise : 80 K

| Rev. | Changes Summary | Performed | Checked | Date |
|--------------|-----------------|-----------|---------|----------|
| | | | | |
| Performed by | | | Page | Revision |
| Checked by | | | | |
| Date | | | | |

1 2 3 4 5 6

A
B
C
D
E



| Mounting B14R(D) | | | | | | |
|------------------|------------|----------------------------|---------------------|----------|-------|-----|
| ECM | LOC | SUMMARY OF MODIFICATIONS | | | DATE | VER |
| EXECUTED | HYBRISUSER | EXECUTED | CHECKED | RELEASED | DATE | VER |
| EXECUTED | HYBRISUSER | SINGLE PH. MOTOR WJET PUMP | | | 00 | |
| CHECKED | | FRAME E56J IP21 ODP | | | | |
| RELEASED | | | | | | |
| REL. DATE | WMO | Jaragua do Sul | Product Engineering | PREVIEW | | |
| | | | | WDD | 00 | |
| | | | | SHEET | 1 / 1 | |

2 HP 02 Poles 60 Hz



Dimensions in inches XME A3