

# DATA SHEET



## Single Phase Induction Motor - Squirrel Cage

Customer :

Product line : Wjet Pump Single-Phase Start Capacitor      Product code : 10020161

Frame	: E56J	Locked rotor time	: 10s (cold) 6s (hot)
Output	: 1.5 HP (1.1 kW)	Temperature rise	: 80 K
Poles	: 2	Duty cycle	: Cont.(S1)
Frequency	: 60 Hz	Ambient temperature	: -20°C to +40°C
Rated voltage	: 115/208-230 V	Altitude	: 1000 m.a.s.l.
Rated current	: 17.0/8.90-8.50 A	Protection degree	: IP21
L. R. Amperes	: 96.9/50.7-48.5 A	Cooling method	: IC01 - ODP
LRC	: 5.7x(Code J)	Mounting	: F-1
No load current	: 9.60/4.14-4.80 A	Rotation <sup>1</sup>	: CCW
Rated speed	: 3470 rpm	Starting method	: Direct On Line
Slip	: 3.61 %	Approx. weight <sup>2</sup>	: 13.7 kg
Rated torque	: 0.314 kgfm		
Locked rotor torque	: 130 %		
Breakdown torque	: 250 %		
Insulation class	: B		
Service factor	: 1.30		
Moment of inertia (J)	: 0.0162 kgm <sup>2</sup>		

Output	50%	75%	100%	Foundation loads	
Efficiency (%)	63.2	67.8	68.8	Max. traction	: 18 kgf
Power Factor	0.64	0.74	0.82	Max. compression	: 32 kgf

		<u>Drive end</u>	<u>Non drive end</u>
Bearing type	:	6203 2RS	6203 2RS
Sealing	:	Slinger	Without Bearing Seal
Lubrication interval	:	-	-
Lubricant amount	:	-	-
Lubricant type	:	Mobil Polyrex EM	

### Notes

This revision replaces and cancel the previous one, which must be eliminated.

- (1) Looking the motor from the shaft end.
- (2) Measured at 1m and with tolerance of +3dB(A).
- (3) Approximate weight subject to changes after manufacturing process.
- (4) At 100% of full load.

These are average values based on tests with sinusoidal power supply, subject to the tolerances stipulated in NEMA MG-1.

Rev.	Changes Summary	Performed	Checked	Date
Performed by		Page		Revision
Checked by		1 / 2		
Date	24/10/2024			

# LOAD PERFORMANCE CURVE

Single Phase Induction Motor - Squirrel Cage

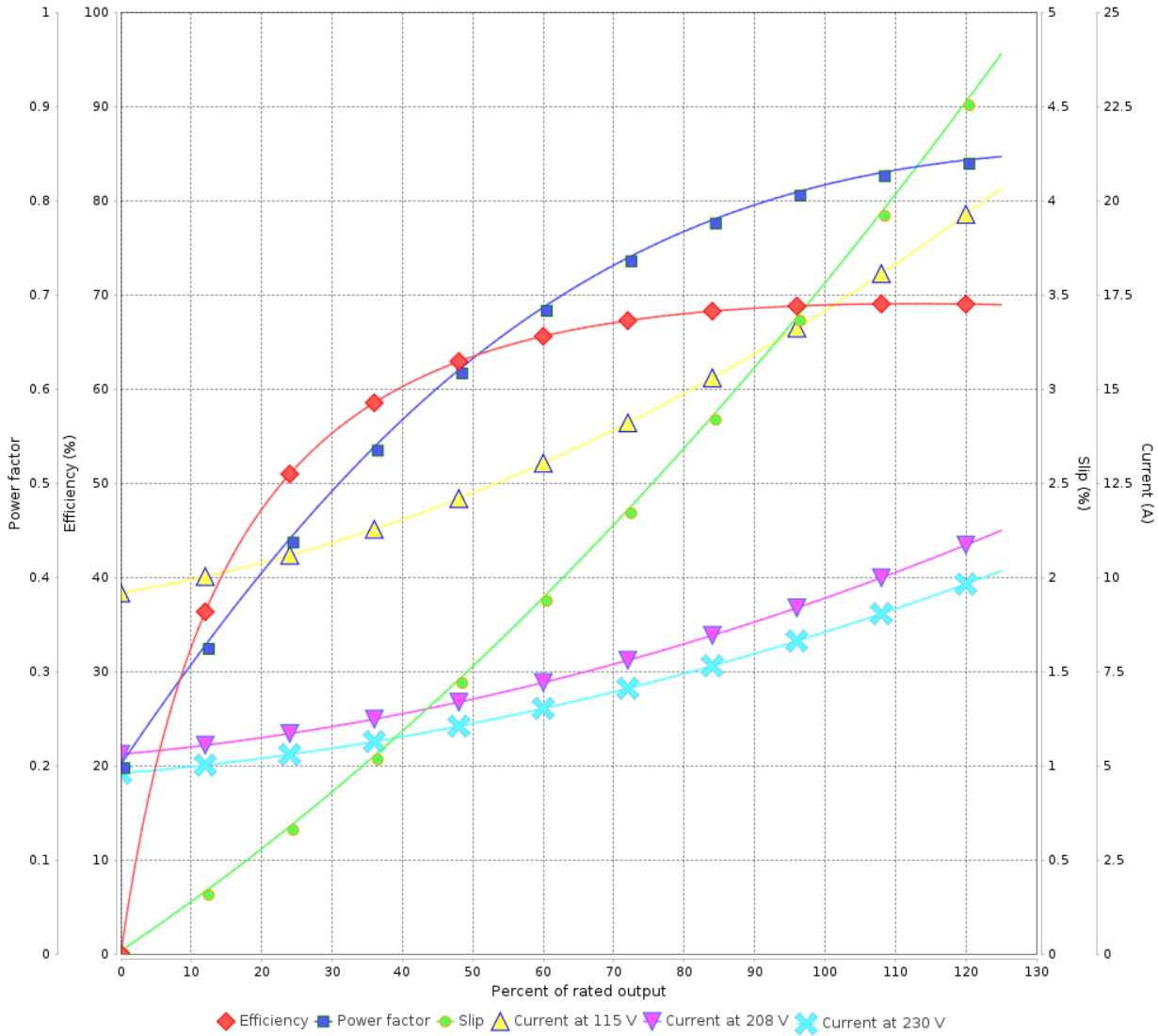


Customer :

Product line : Wjet Pump Single-Phase Start Capacitor

Product code : 10020161

LOAD PERFORMANCE CURVE



Performance : 115/208-230 V 60 Hz 2P

Rated current : 17.0/8.90-8.50 A  
 LRC : 5.7  
 Rated torque : 0.314 kgfm  
 Locked rotor torque : 130 %  
 Breakdown torque : 250 %  
 Rated speed : 3470 rpm

Moment of inertia (J) : 0.0162 kgm<sup>2</sup>  
 Duty cycle : Cont.(S1)  
 Insulation class : B  
 Service factor :  
 Temperature rise : 80 K

Rev.	Changes Summary	Performed	Checked	Date
Performed by			Page 2 / 2	Revision
Checked by				
Date	24/10/2024			

1 2 3 4 5 6

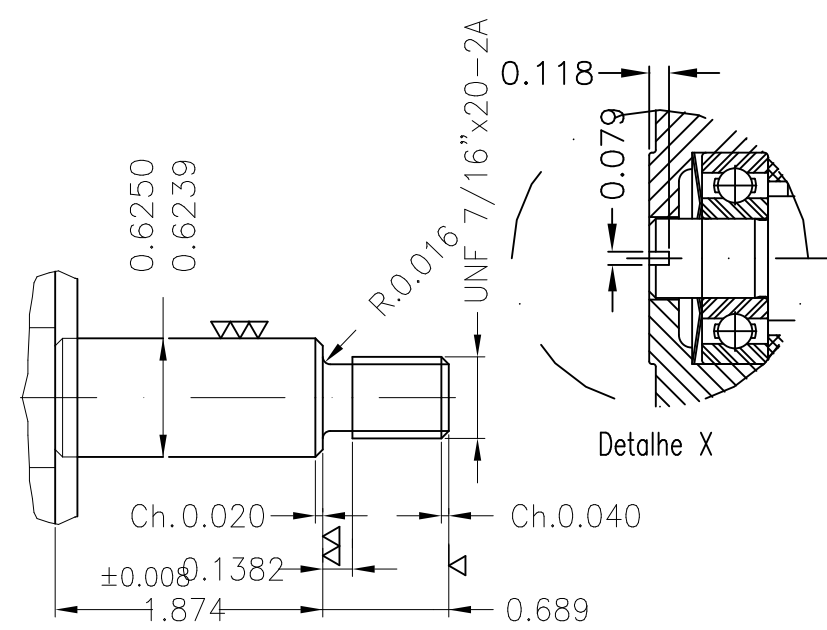
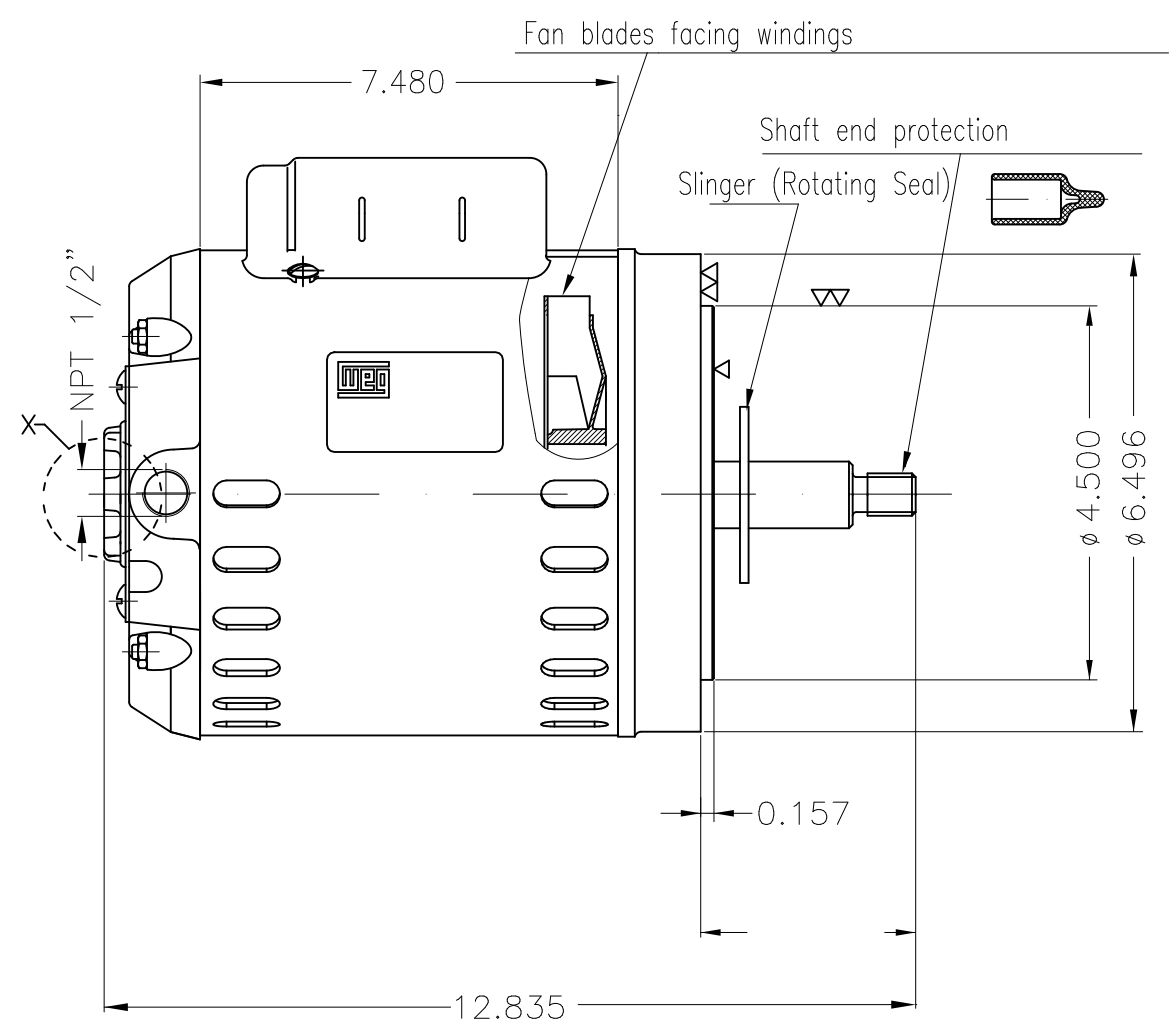
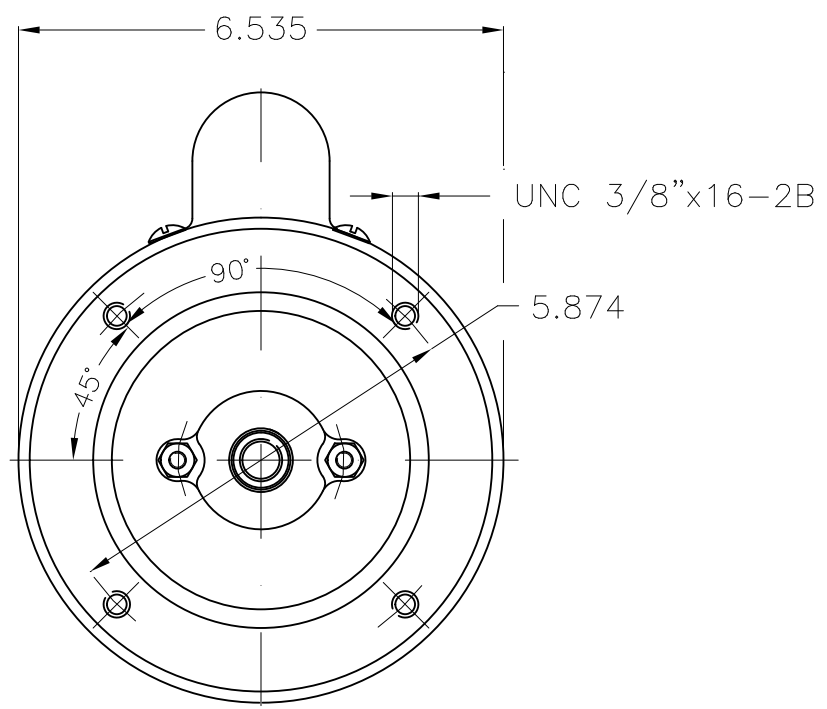
A

B

C

D

E



Mounting B14R(D)						
ECM	LOC	SUMMARY OF MODIFICATIONS			HYBRISUSER	00
EXECUTED	HYBRISUSER	SINGLE PH. MOTOR WJET PUMP			EXECUTED	CHECKED
CHECKED		FRAME E56J IP21 ODP			RELEASED	DATE
RELEASED					VER	
REL. DATE	WMO	Jaragua do Sul	Product Engineering	PREVIEW		
				WDD	00	
				SHEET	1 / 1	

1.5 HP 02 Poles 60 Hz



Dimensions in inches XME A3