

DATA SHEET



Single Phase Induction Motor - Squirrel Cage

Customer :

Product line : Wjet Pump Single-Phase Start Capacitor Product code : 10084016

Frame	: W56J	Locked rotor time	: 10s (cold) 6s (hot)
Output	: 0.5 HP (0.37 kW)	Temperature rise	: 80 K
Poles	: 2	Duty cycle	: Cont.(S1)
Frequency	: 60 Hz	Ambient temperature	: -20°C to +40°C
Rated voltage	: 115/208-230 V	Altitude	: 1000 m.a.s.l.
Rated current	: 9.30/3.90-4.65 A	Protection degree	: IP21
L. R. Amperes	: 42.8/17.9-21.4 A	Cooling method	: IC01 - ODP
LRC	: 4.6x(Code L)	Mounting	: F-1
No load current	: 7.10/3.06-3.55 A	Rotation ¹	: CCW
Rated speed	: 3465 rpm	Starting method	: Direct On Line
Slip	: 3.75 %	Approx. weight ²	: 9.0 kg
Rated torque	: 0.105 kgfm		
Locked rotor torque	: 190 %		
Breakdown torque	: 290 %		
Insulation class	: B		
Service factor	: 1.60		
Moment of inertia (J)	: 0.0080 kgm ²		

Output	50%	75%	100%	Foundation loads	
Efficiency (%)	44.8	53.5	58.0	Max. traction	: 5 kgf
Power Factor	0.47	0.55	0.63	Max. compression	: 14 kgf

		<u>Drive end</u>	<u>Non drive end</u>
Bearing type	:	6203 2RS	6202 2RS
Sealing	:	Slinger	Without Bearing Seal
Lubrication interval	:	-	-
Lubricant amount	:	-	-
Lubricant type	:	Mobil Polyrex EM	

Notes

This revision replaces and cancel the previous one, which must be eliminated.

- (1) Looking the motor from the shaft end.
- (2) Measured at 1m and with tolerance of +3dB(A).
- (3) Approximate weight subject to changes after manufacturing process.
- (4) At 100% of full load.

These are average values based on tests with sinusoidal power supply, subject to the tolerances stipulated in NEMA MG-1.

Rev.	Changes Summary	Performed	Checked	Date
Performed by				
Checked by			Page	Revision
Date	24/10/2024		1 / 2	

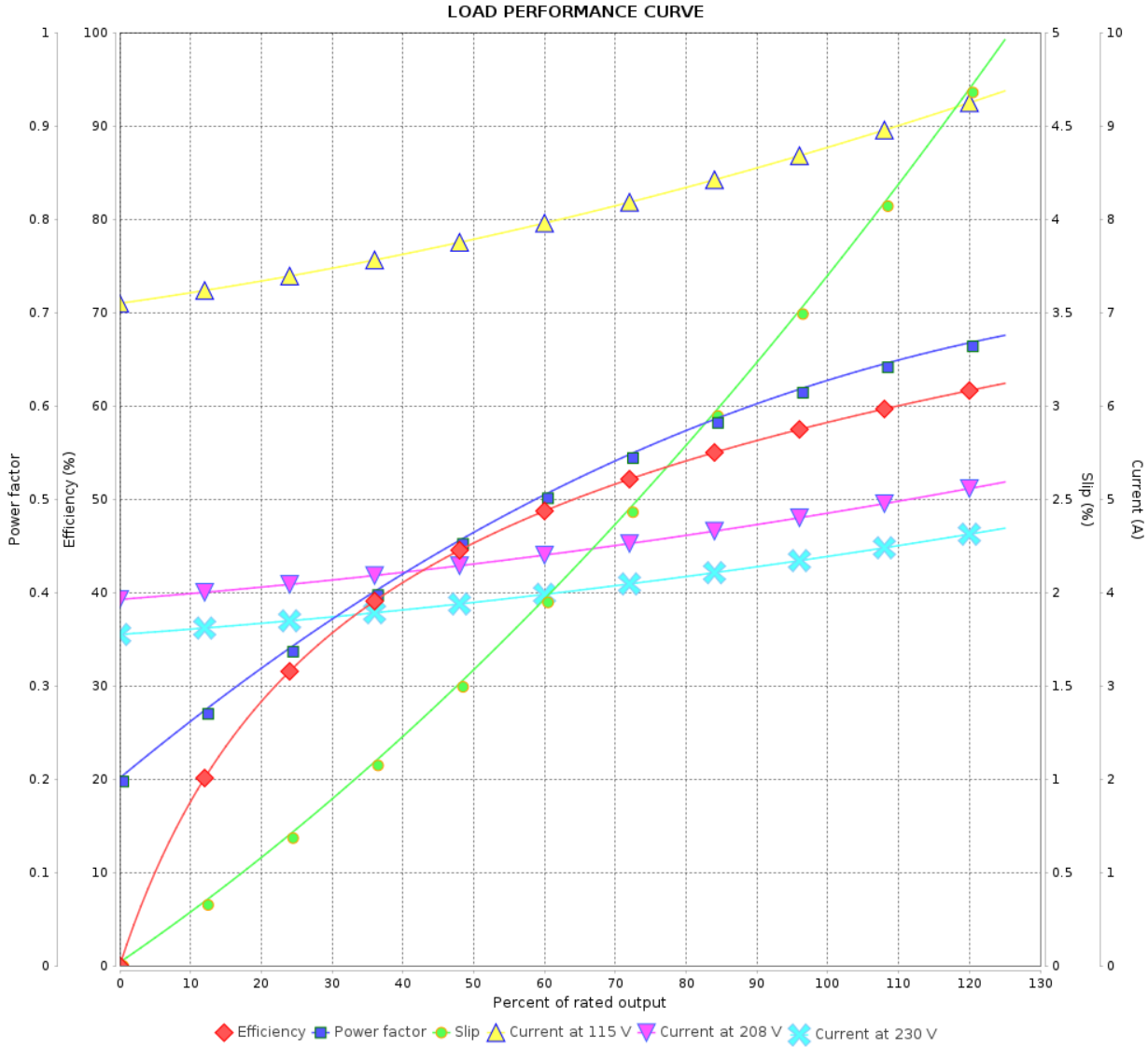
LOAD PERFORMANCE CURVE

Single Phase Induction Motor - Squirrel Cage



Customer :

Product line : Wjet Pump Single-Phase Start Capacitor Product code : 10084016



Performance : 115/208-230 V 60 Hz 2P

Rated current	: 9.30/3.90-4.65 A	Moment of inertia (J)	: 0.0080 kgm ²
LRC	: 4.6	Duty cycle	: Cont.(S1)
Rated torque	: 0.105 kgfm	Insulation class	: B
Locked rotor torque	: 190 %	Service factor	:
Breakdown torque	: 290 %	Temperature rise	: 80 K
Rated speed	: 3465 rpm		

Rev.	Changes Summary	Performed	Checked	Date
Performed by			Page 2 / 2	Revision
Checked by				
Date	24/10/2024			

1 2 3 4 5 6

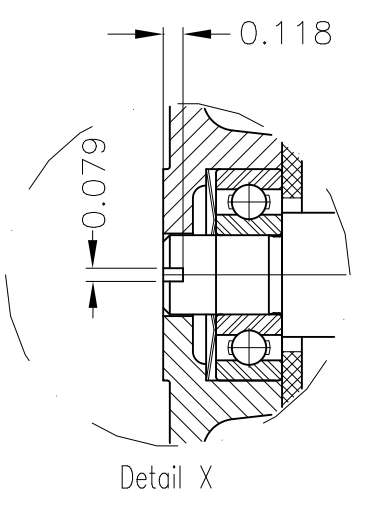
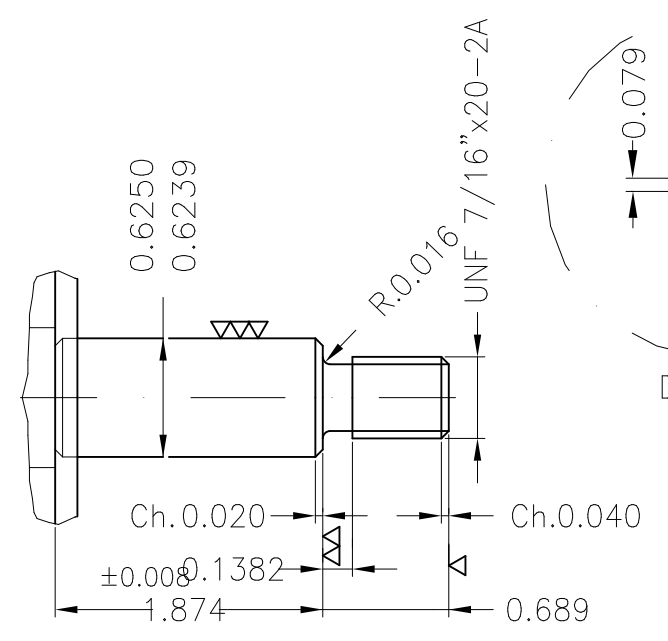
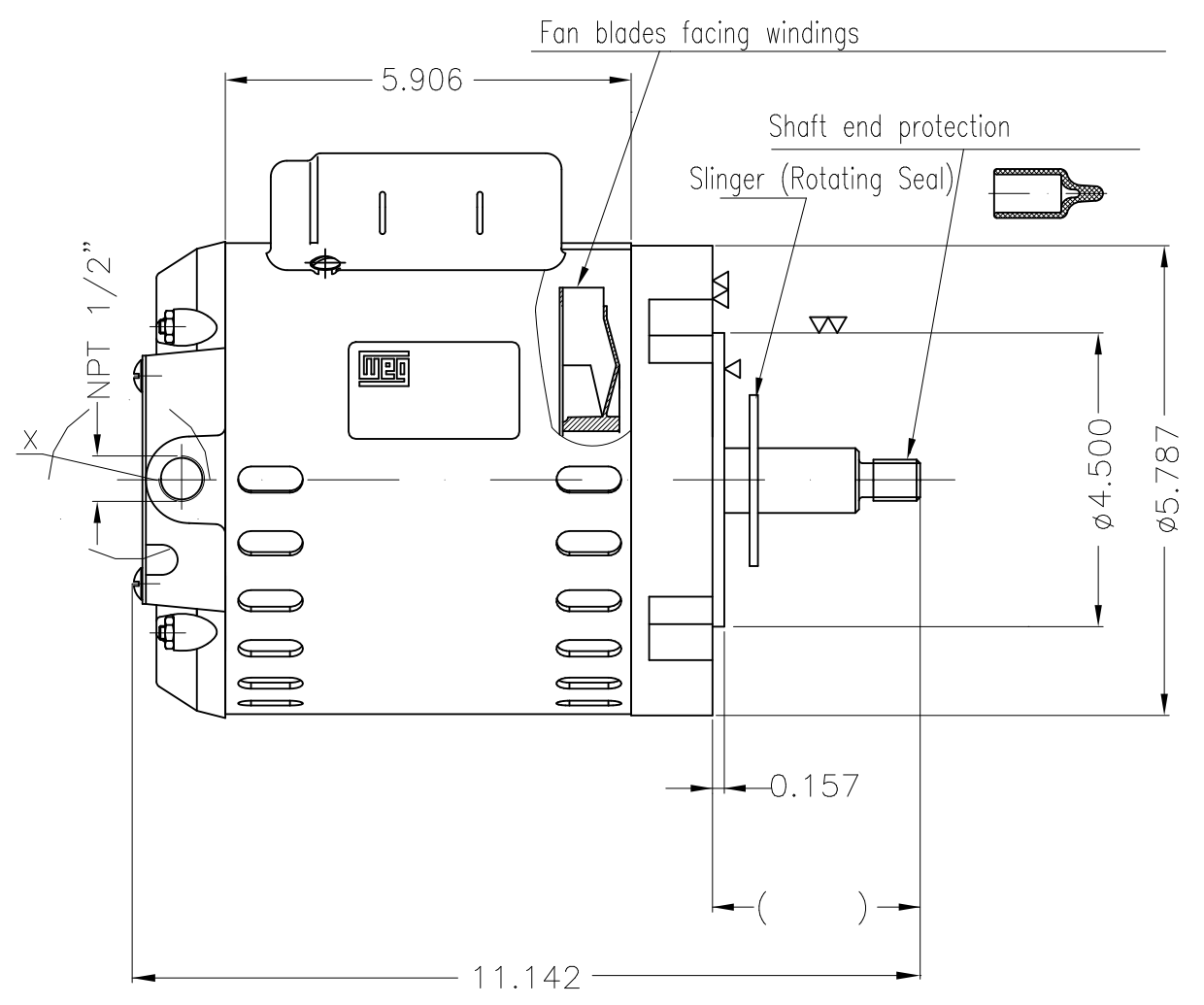
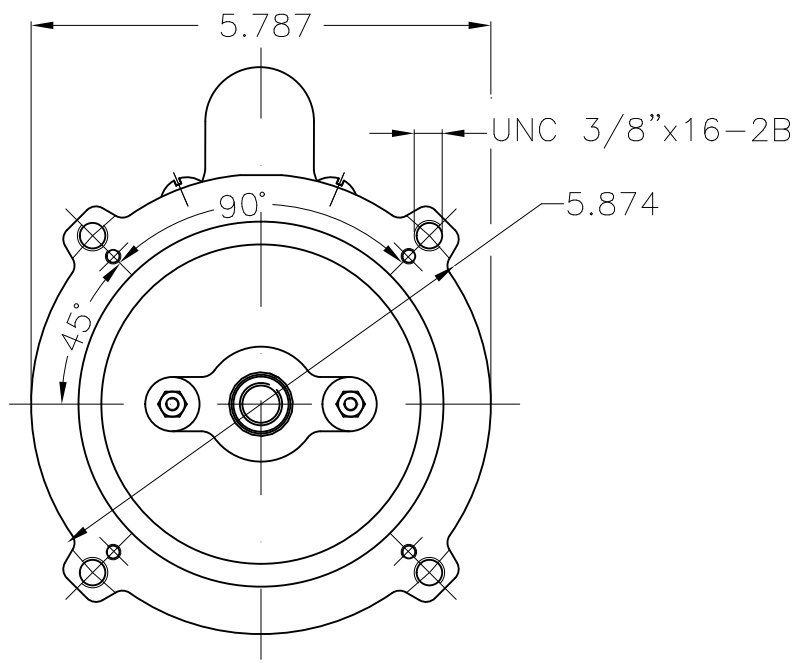
A

B

C

D

E



Mounting B14R(D)						
ECM	LOC	SUMMARY OF MODIFICATIONS			DATE	VER
EXECUTED	HYBRISUSER	EXECUTED	CHECKED	RELEASED	DATE	VER
CHECKED						
RELEASED						
REL. DATE	WMO	Jaragua do Sul	Product Engineering	HYBRISUSER	00	

1/2 HP 02 Poles 60 Hz

PREVIEW WDD 00 SHEET 1 / 1

