

DATA SHEET



Three Phase Induction Motor - Squirrel Cage

Customer	:				
Product line	: JM Pump NEMA Premium Efficiency Three-Phase	Product code :	12770789		
Frame	: 254/6JM	Cooling method	: IC01 - ODP		
Insulation class	: F	Mounting	: F-1		
Duty cycle	: Cont.(S1)	Rotation ¹	: Both (CW and CCW)		
Ambient temperature	: -20°C to +40°C	Starting method	: Direct On Line		
Altitude	: 1000 m.a.s.l.	Approx. weight ³	: 92.0 kg		
Design	: B	Moment of inertia (J)	: 0.0767 kgm ²		
Output [HP]	15				
Poles	4				
Frequency [Hz]	60				
Rated voltage [V]	575				
Rated current [A]	14.9				
L. R. Amperes [A]	100				
LRC [A]	6.7x(Code H)				
No load current [A]	7.60				
Rated speed [RPM]	1775				
Slip [%]	1.39				
Rated torque [kgfm]	6.13				
Locked rotor torque [%]	240				
Breakdown torque [%]	300				
Service factor	1.15				
Temperature rise	80 K				
Locked rotor time	30s (cold) 17s (hot)				
Noise level ²	64.0 dB(A)				
Efficiency (%)	25%	91.0			
	50%	91.7			
	75%	92.4			
	100%	93.0			
Power Factor	25%	0.36			
	50%	0.62			
	75%	0.73			
	100%	0.80			
Bearing type	: Drive end 6309 Z C3	Non drive end 6208 Z C3	Foundation loads		
Sealing	: Without	Without	Max. traction	: 243 kgf	
	Bearing Seal	Bearing Seal	Max. compression	: 335 kgf	
Lubrication interval	: 20000 h	20000 h			
Lubricant amount	: 13 g	8 g			
Lubricant type	: Mobil Polyrex EM				
Notes					
<p>This revision replaces and cancel the previous one, which must be eliminated.</p> <p>(1) Looking the motor from the shaft end.</p> <p>(2) Measured at 1m and with tolerance of +3dB(A).</p> <p>(3) Approximate weight subject to changes after manufacturing process.</p> <p>(4) At 100% of full load.</p>			<p>These are average values based on tests with sinusoidal power supply, subject to the tolerances stipulated in NEMA MG-1.</p>		
Rev.	Changes Summary		Performed	Checked	Date
Performed by					
Checked by				Page	Revision
Date	16/05/2022			1 / 2	

LOAD PERFORMANCE CURVE

Three Phase Induction Motor - Squirrel Cage

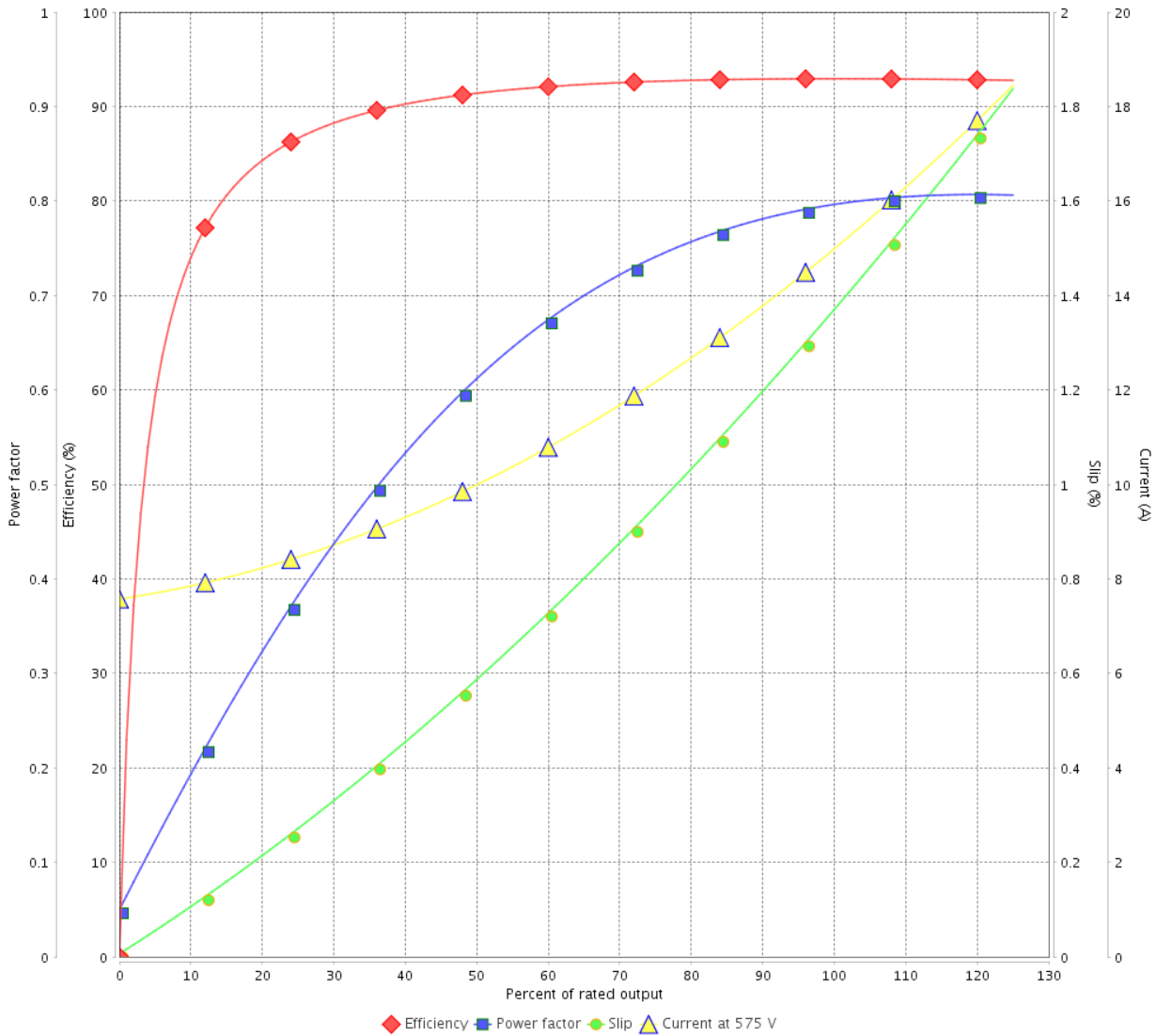


Customer :

Product line : JM Pump NEMA Premium
Efficiency Three-Phase

Product code : 12770789

LOAD PERFORMANCE CURVE



Performance : 575 V 60 Hz 4P

Rated current : 14.9 A
LRC : 6.7
Rated torque : 6.13 kgfm
Locked rotor torque : 240 %
Breakdown torque : 300 %
Rated speed : 1775 rpm

Moment of inertia (J) : 0.0767 kgm²
Duty cycle : Cont.(S1)
Insulation class : F
Service factor : 1.15
Temperature rise : 80 K
Design : B

Rev.	Changes Summary	Performed	Checked	Date
Performed by			Page	Revision
Checked by			2 / 2	
Date	16/05/2022			

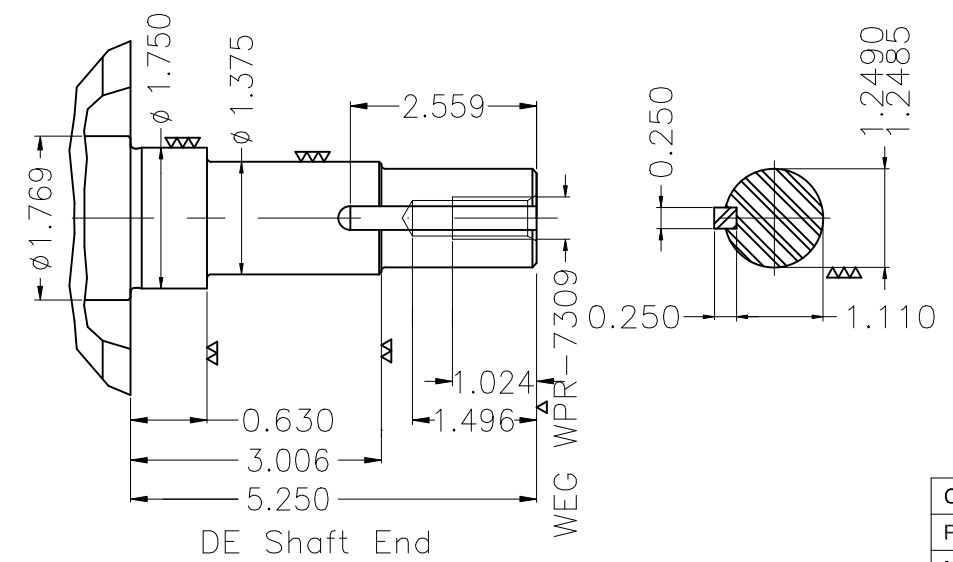
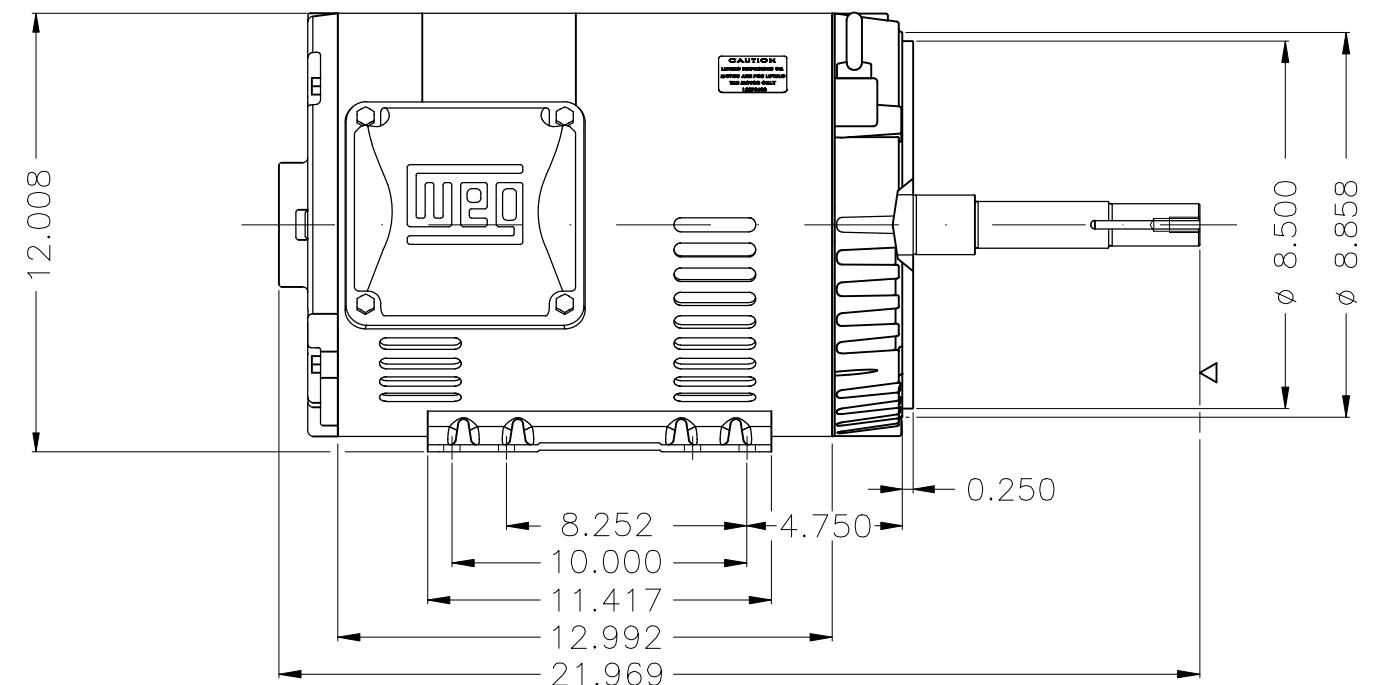
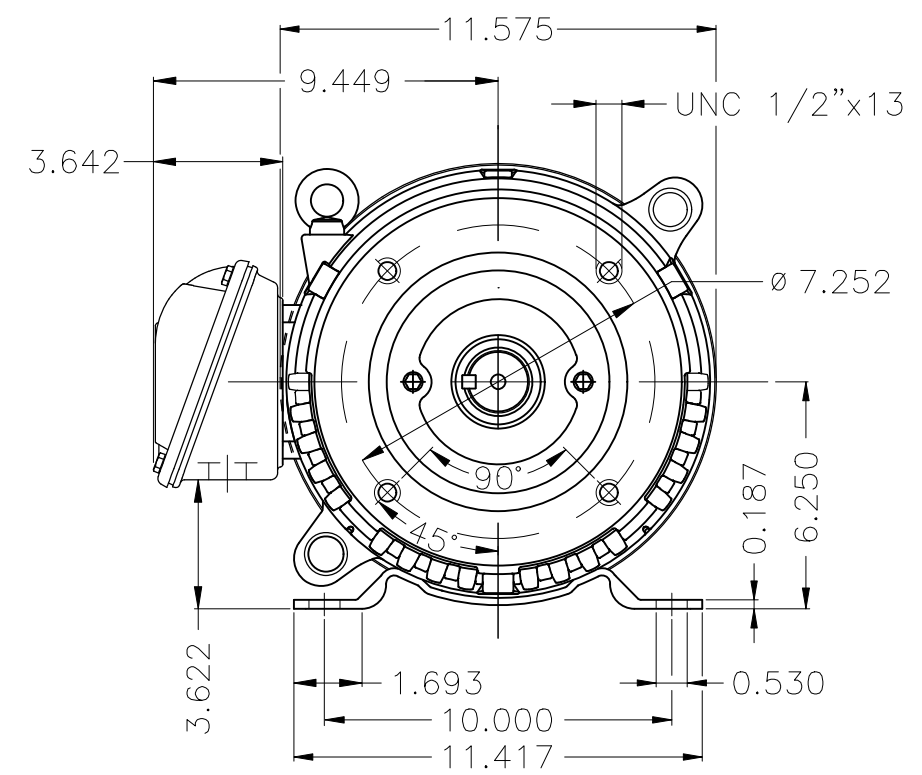
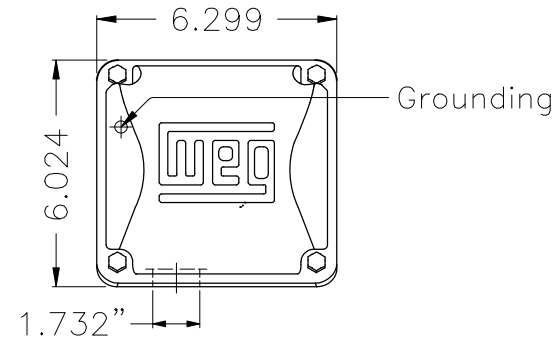
A

B

C

D

E



EUNC 1/2"-13 WEG WPR-7309

DE Shaft End

Color Munsell N 1 matte black
 Painting plan 207N
 Mounting B34D

ECM	LOC	SUMMARY OF MODIFICATIONS	EXECUTED	CHECKED	RELEASED	DATE	VER
EXECUTED	HYBRISUSER	THREE PH. MOTOR ROLLED STEEL JM NEMA PREM. EFF.					00
CHECKED		FRAME 254/6JM IP21 ODP					
RELEASED							
REL. DATE	WMO	Jaragua do Sul	Product Engineering	WDD	00	1 / 1	

15 HP 04 Poles 60 Hz

A

