

DATA SHEET

Three Phase Induction Motor - Squirrel Cage



Customer					
Product line	: JM Pump NEMA Premium Efficiency Three-Phase	Product code :	13352715		
Frame	: 254/6JM	Cooling method	: IC01 - ODP		
Insulation class	: F	Mounting	: W-6		
Duty cycle	: Cont.(S1)	Rotation ¹	: Both (CW and CCW)		
Ambient temperature	: -20°C to +40°C	Starting method	: Direct On Line		
Altitude	: 1000 m.a.s.l.	Approx. weight ³	: 90.9 kg		
Design	: B	Moment of inertia (J)	: 0.0767 kgm ²		
Output [HP]	15				
Poles	4				
Frequency [Hz]	60				
Rated voltage [V]	575				
Rated current [A]	14.9				
L. R. Amperes [A]	100				
LRC [A]	6.7x(Code H)				
No load current [A]	7.60				
Rated speed [RPM]	1775				
Slip [%]	1.39				
Rated torque [kgfm]	6.13				
Locked rotor torque [%]	240				
Breakdown torque [%]	300				
Service factor	1.15				
Temperature rise	80 K				
Locked rotor time	30s (cold) 17s (hot)				
Noise level ²	64.0 dB(A)				
Efficiency (%)	25%				
	50%	91.7			
	75%	92.4			
	100%	93.0			
Power Factor	25%				
	50%	0.62			
	75%	0.73			
	100%	0.80			
Bearing type	: Drive end : 6309 Z C3	Non drive end : 6208 Z C3	Foundation loads		
Sealing	: Without	Without	Max. traction	: 244 kgf	
	Bearing Seal	Bearing Seal	Max. compression	: 335 kgf	
Lubrication interval	: 20000 h	20000 h			
Lubricant amount	: 13 g	8 g			
Lubricant type	: Mobil Polyrex EM				
Notes					
<p>This revision replaces and cancel the previous one, which must be eliminated.</p> <p>(1) Looking the motor from the shaft end.</p> <p>(2) Measured at 1m and with tolerance of +3dB(A).</p> <p>(3) Approximate weight subject to changes after manufacturing process.</p> <p>(4) At 100% of full load.</p>			<p>These are average values based on tests with sinusoidal power supply, subject to the tolerances stipulated in NEMA MG-1.</p>		
Rev.	Changes Summary		Performed	Checked	Date
Performed by					
Checked by				Page	Revision
Date	16/05/2022			1 / 2	

LOAD PERFORMANCE CURVE

Three Phase Induction Motor - Squirrel Cage

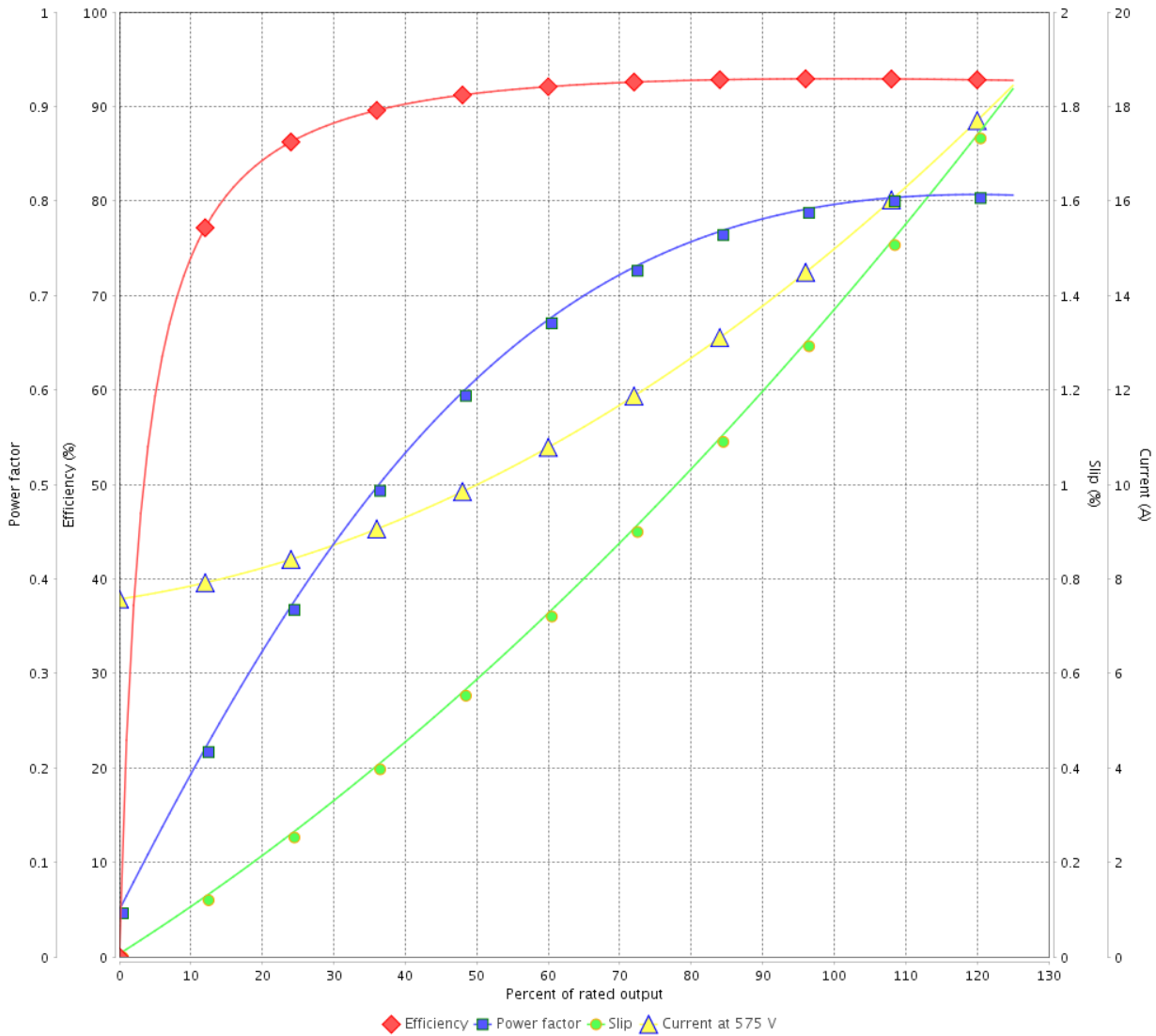


Customer : _____

Product line : JM Pump NEMA Premium
Efficiency Three-Phase

Product code : 13352715

LOAD PERFORMANCE CURVE



Performance : 575 V 60 Hz 4P

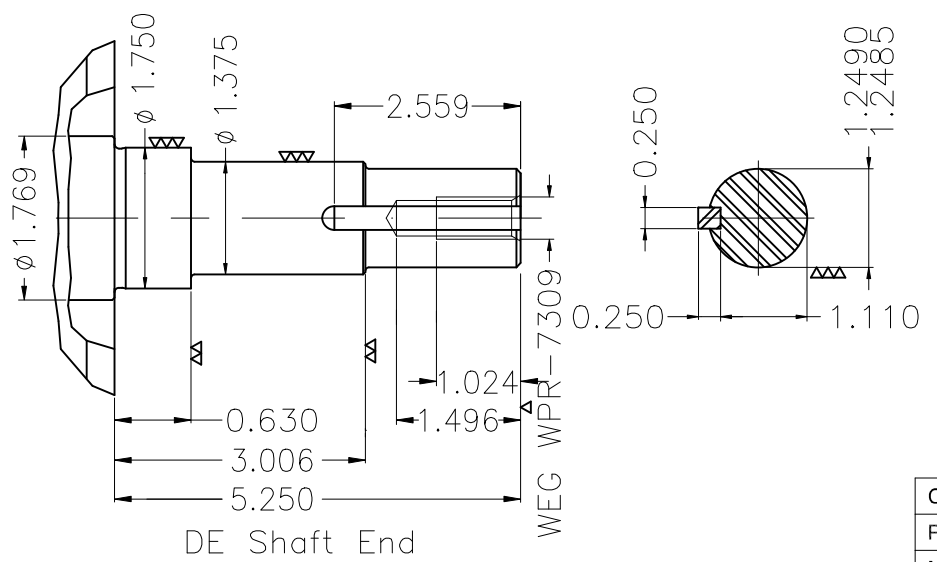
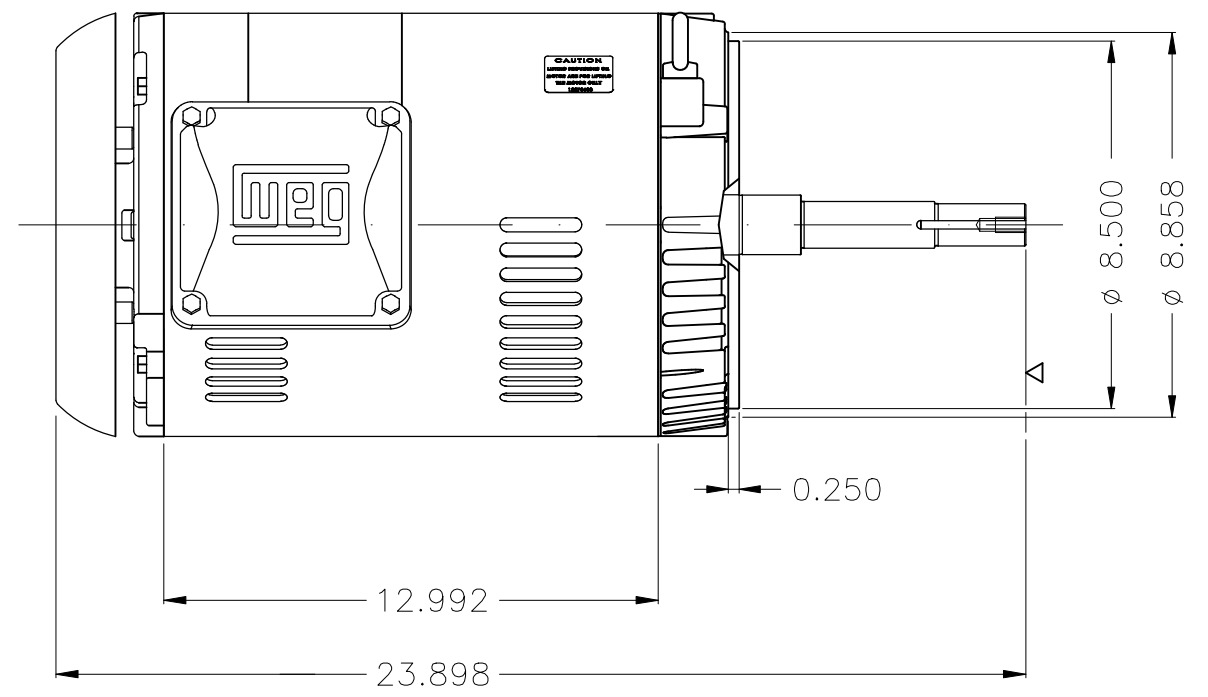
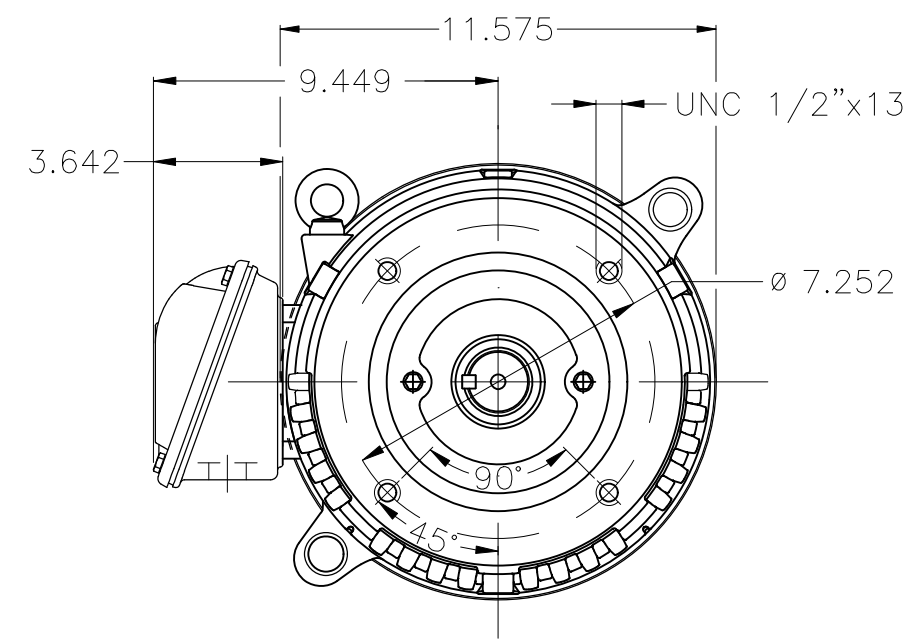
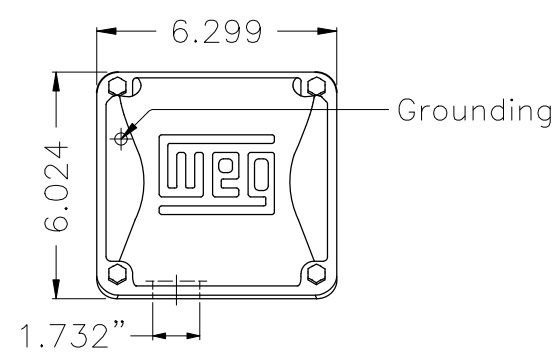
Rated current : 14.9 A
LRC : 6.7
Rated torque : 6.13 kgfm
Locked rotor torque : 240 %
Breakdown torque : 300 %
Rated speed : 1775 rpm

Moment of inertia (J) : 0.0767 kgm²
Duty cycle : Cont.(S1)
Insulation class : F
Service factor : 1.15
Temperature rise : 80 K
Design : B

Rev.	Changes Summary	Performed	Checked	Date
Performed by			Page 2 / 2	Revision
Checked by				
Date	16/05/2022			

1 2 3 4 5 6

A
B
C
D
E



EUNC 1/2"-13 WEG WPR-7309

Color Munsell N 1 matte black
 Painting plan 207N
 Mounting W-6/V18R(D)

ECM	LOC	SUMMARY OF MODIFICATIONS	EXECUTED	CHECKED	RELEASED	DATE	VER
EXECUTED	HYBRISUSER	THREE PH. MOTOR ROLLED STEEL JM NEMA PREM. EFF.					00
CHECKED		FRAME 254/6JM IP21 ODP					
RELEASED							
REL. DATE	WMO	Jaragua do Sul	Product Engineering	WDD	00	1 / 1	

15 HP 04 Poles 60 Hz

A



Dimensions in inches XME A3