

# DATA SHEET

## Three Phase Induction Motor - Squirrel Cage



Customer	:				
Product line	: JM Pump NEMA Premium Efficiency Three-Phase	Product code :	13482982		
Frame	: 213/5JM	Cooling method	: IC01 - ODP		
Insulation class	: F	Mounting	: W-6		
Duty cycle	: Cont.(S1)	Rotation <sup>1</sup>	: Both (CW and CCW)		
Ambient temperature	: -20°C to +40°C	Starting method	: Direct On Line		
Altitude	: 1000 m.a.s.l.	Approx. weight <sup>3</sup>	: 62.9 kg		
Design	: B	Moment of inertia (J)	: 0.0232 kgm <sup>2</sup>		
Output [HP]	15				
Poles	2				
Frequency [Hz]	60				
Rated voltage [V]	575				
Rated current [A]	13.8				
L. R. Amperes [A]	93.6				
LRC [A]	6.8x(Code G)				
No load current [A]	4.93				
Rated speed [RPM]	3535				
Slip [%]	1.81				
Rated torque [kgfm]	3.08				
Locked rotor torque [%]	210				
Breakdown torque [%]	280				
Service factor	1.15				
Temperature rise	80 K				
Locked rotor time	14s (cold) 8s (hot)				
Noise level <sup>2</sup>	66.0 dB(A)				
Efficiency (%)	25%	90.1			
	50%	90.2			
	75%	90.2			
	100%	90.2			
Power Factor	25%	0.50			
	50%	0.77			
	75%	0.86			
	100%	0.89			
Bearing type	: Drive end 6209 ZZ	Non drive end 6206 ZZ	Foundation loads		
Sealing	: Without Bearing Seal	Without Bearing Seal	Max. traction	: 128 kgf	
Lubrication interval	: -	-	Max. compression	: 191 kgf	
Lubricant amount	: -	-			
Lubricant type	: Mobil Polyrex EM				
Notes					
This revision replaces and cancel the previous one, which must be eliminated. (1) Looking the motor from the shaft end. (2) Measured at 1m and with tolerance of +3dB(A). (3) Approximate weight subject to changes after manufacturing process. (4) At 100% of full load.			These are average values based on tests with sinusoidal power supply, subject to the tolerances stipulated in NEMA MG-1.		
Rev.	Changes Summary		Performed	Checked	Date
Performed by					
Checked by				Page	Revision
Date	16/05/2022			1 / 2	

# LOAD PERFORMANCE CURVE

Three Phase Induction Motor - Squirrel Cage

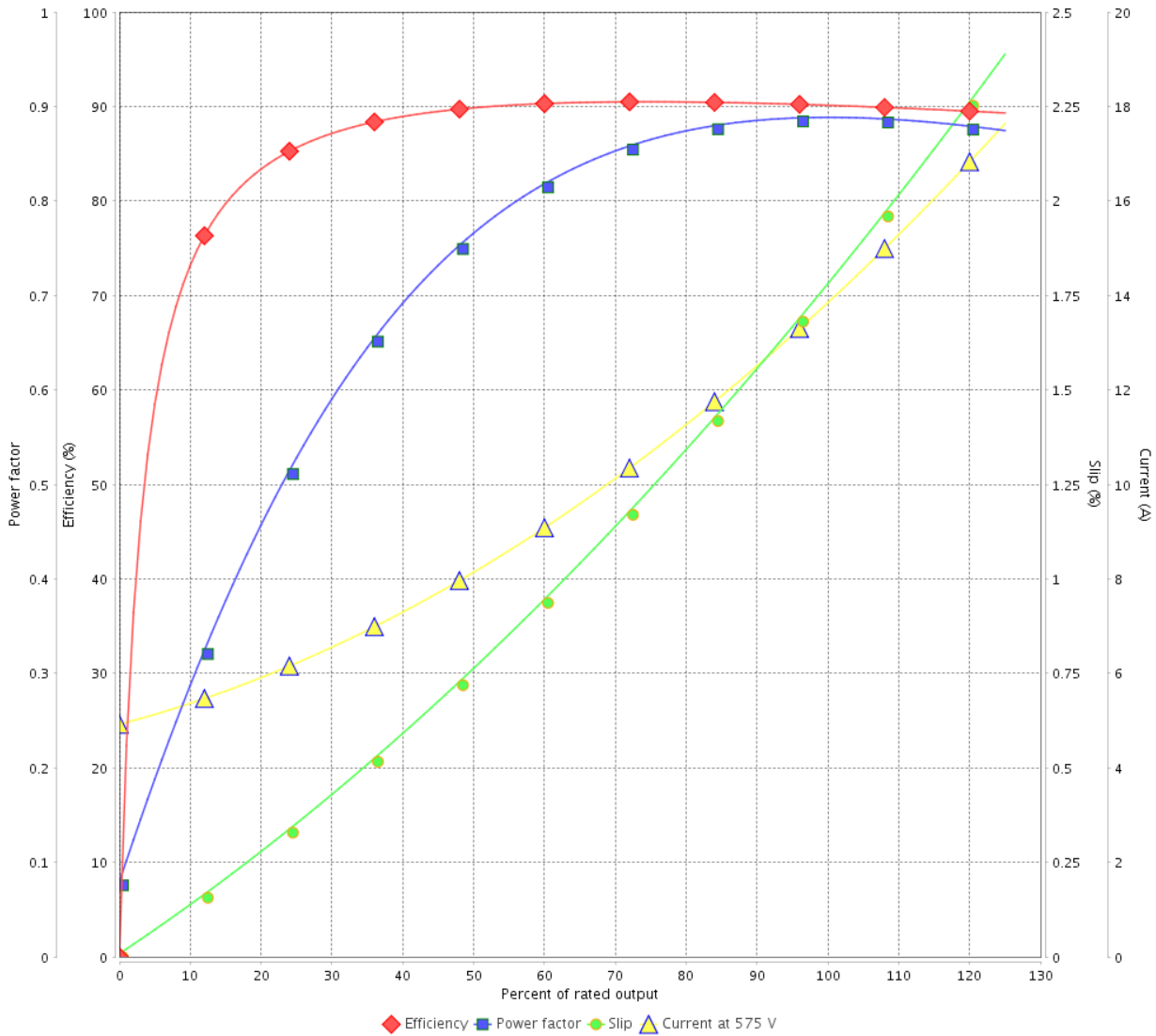


Customer :

Product line : JM Pump NEMA Premium  
Efficiency Three-Phase

Product code : 13482982

LOAD PERFORMANCE CURVE



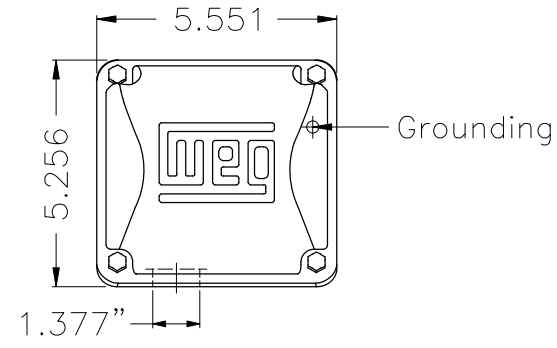
Performance : 575 V 60 Hz 2P

Rated current : 13.8 A  
LRC : 6.8  
Rated torque : 3.08 kgfm  
Locked rotor torque : 210 %  
Breakdown torque : 280 %  
Rated speed : 3535 rpm

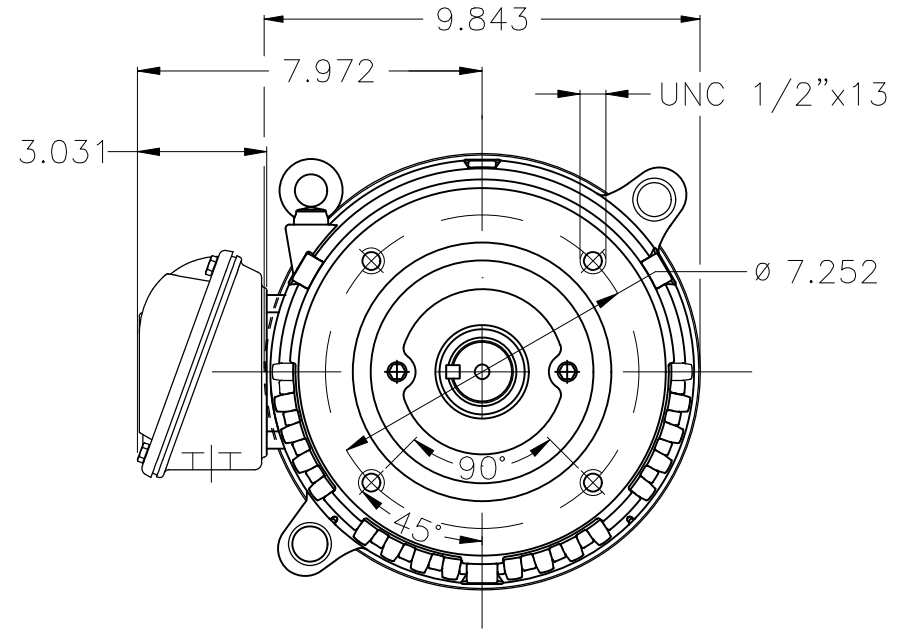
Moment of inertia (J) : 0.0232 kgm<sup>2</sup>  
Duty cycle : Cont.(S1)  
Insulation class : F  
Service factor : 1.15  
Temperature rise : 80 K  
Design : B

Rev.	Changes Summary	Performed	Checked	Date
Performed by			Page 2 / 2	Revision
Checked by				
Date	16/05/2022			

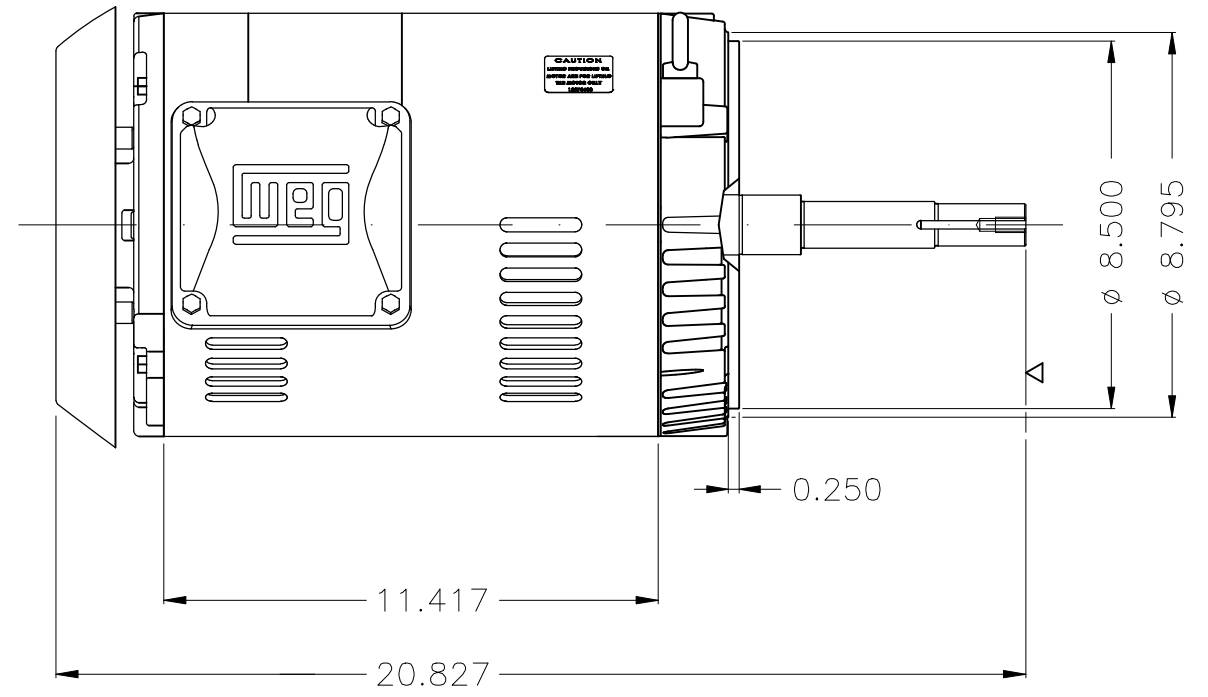
A



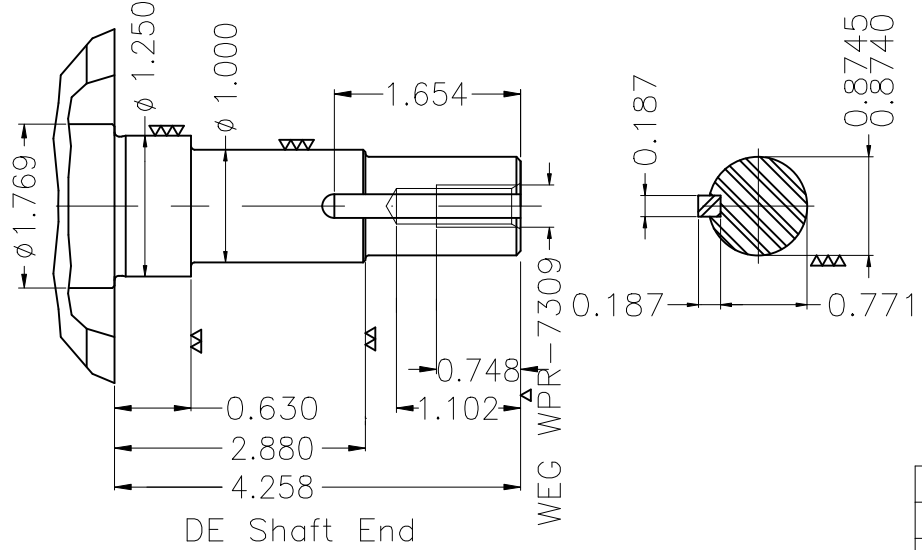
B



C



D



E

EUNC 3/8"-16 WEG WPR-7309

Color Munsell N 1 matte black  
 Painting plan 207N  
 Mounting W-6/V18R(D)

ECM	LOC	SUMMARY OF MODIFICATIONS	EXECUTED	CHECKED	RELEASED	DATE	VER
EXECUTED	HYBRISUSER	THREE PH. MOTOR ROLLED STEEL JM NEMA PREM. EFF.					00
CHECKED		FRAME 213/5JM IP21 ODP					
RELEASED							

REL. DATE: WMO Jaragua do Sul Product Engineering

**PREVIEW**  
WDD 00

SHEET 1 / 1

15 HP 02 Poles 60 Hz