

DATA SHEET



Three Phase Induction Motor - Squirrel Cage

Customer	:			
Product line	: JM Pump NEMA Premium Efficiency Three-Phase	Product code :	13401475	
Frame	: 213/5JM	Cooling method	: IC411 - TEFC	
Insulation class	: F	Mounting	: F-1	
Duty cycle	: Cont.(S1)	Rotation ¹	: Both (CW and CCW)	
Ambient temperature	: -20°C to +40°C	Starting method	: Direct On Line	
Altitude	: 1000 m.a.s.l.	Approx. weight ³	: 64.4 kg	
Protection degree	: IP55	Moment of inertia (J)	: 0.0451 kgm ²	
Design	: B			
Output [HP]	10			
Poles	4			
Frequency [Hz]	60			
Rated voltage [V]	575			
Rated current [A]	9.76			
L. R. Amperes [A]	68.3			
LRC [A]	7.0x(Code H)			
No load current [A]	4.43			
Rated speed [RPM]	1760			
Slip [%]	2.22			
Rated torque [kgfm]	4.12			
Locked rotor torque [%]	250			
Breakdown torque [%]	300			
Service factor	1.15			
Temperature rise	80 K			
Locked rotor time	27s (cold) 15s (hot)			
Noise level ²	60.0 dB(A)			
Efficiency (%)	25%	90.2		
	50%	91.0		
	75%	91.0		
	100%	91.7		
Power Factor	25%	0.41		
	50%	0.67		
	75%	0.78		
	100%	0.84		
Bearing type	: <u>Drive end</u> 6209 ZZ	<u>Non drive end</u> 6206 ZZ	Foundation loads	
Sealing	: V'Ring	V'Ring	Max. traction	: 196 kgf
Lubrication interval	: -	-	Max. compression	: 261 kgf
Lubricant amount	: -	-		
Lubricant type	: Mobil Polyrex EM			
Notes				
This revision replaces and cancel the previous one, which must be eliminated. (1) Looking the motor from the shaft end. (2) Measured at 1m and with tolerance of +3dB(A). (3) Approximate weight subject to changes after manufacturing process. (4) At 100% of full load.		These are average values based on tests with sinusoidal power supply, subject to the tolerances stipulated in NEMA MG-1.		
Rev.	Changes Summary		Performed	Checked
Performed by			Page	Revision
Checked by				
Date	16/05/2022		1 / 2	

LOAD PERFORMANCE CURVE

Three Phase Induction Motor - Squirrel Cage

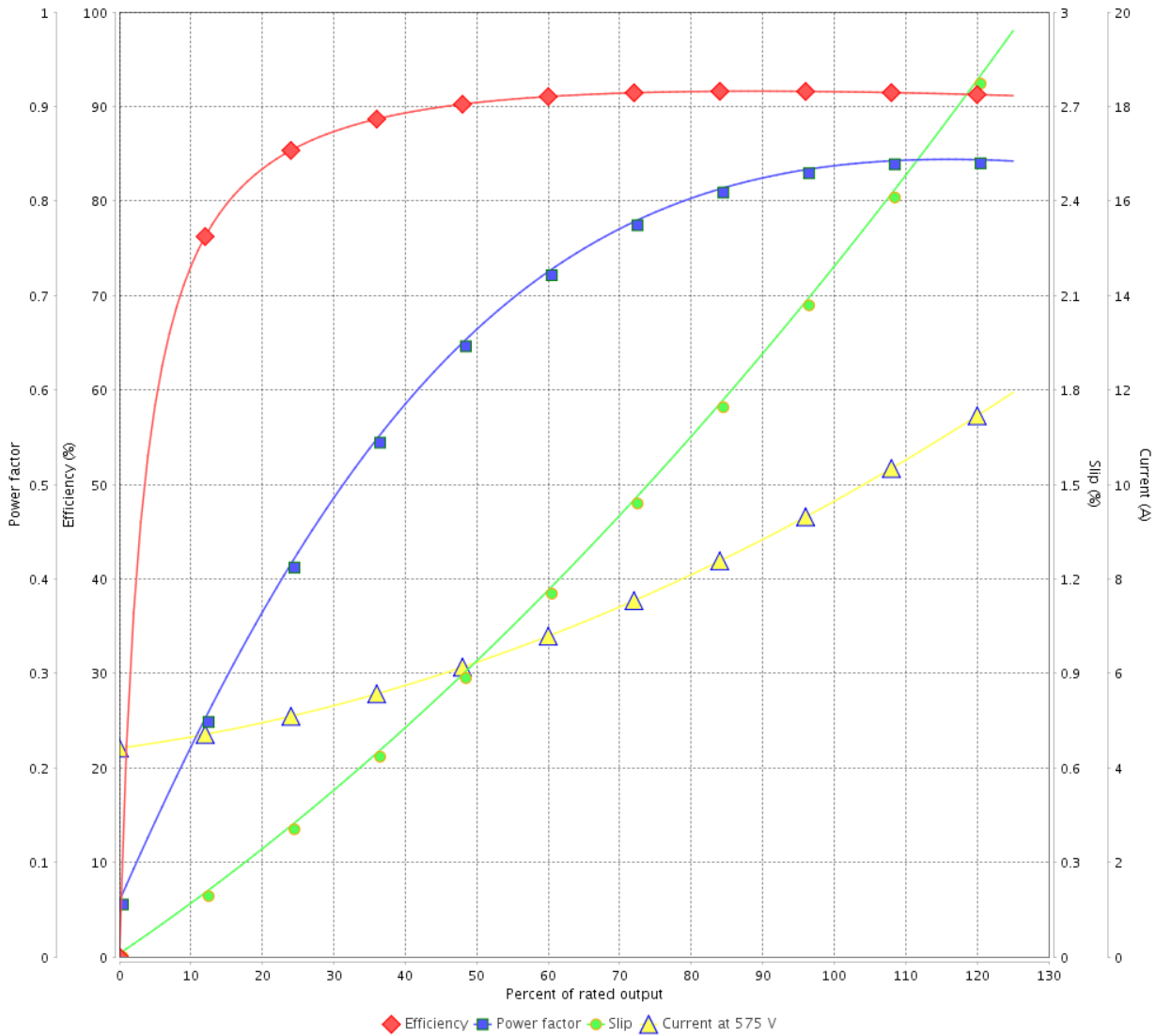


Customer : _____

Product line : JM Pump NEMA Premium
Efficiency Three-Phase

Product code : 13401475

LOAD PERFORMANCE CURVE



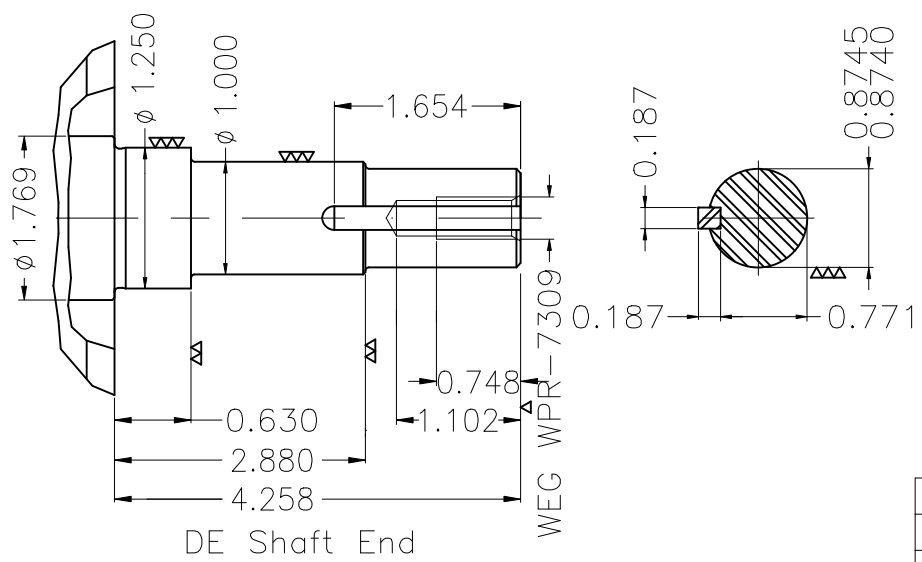
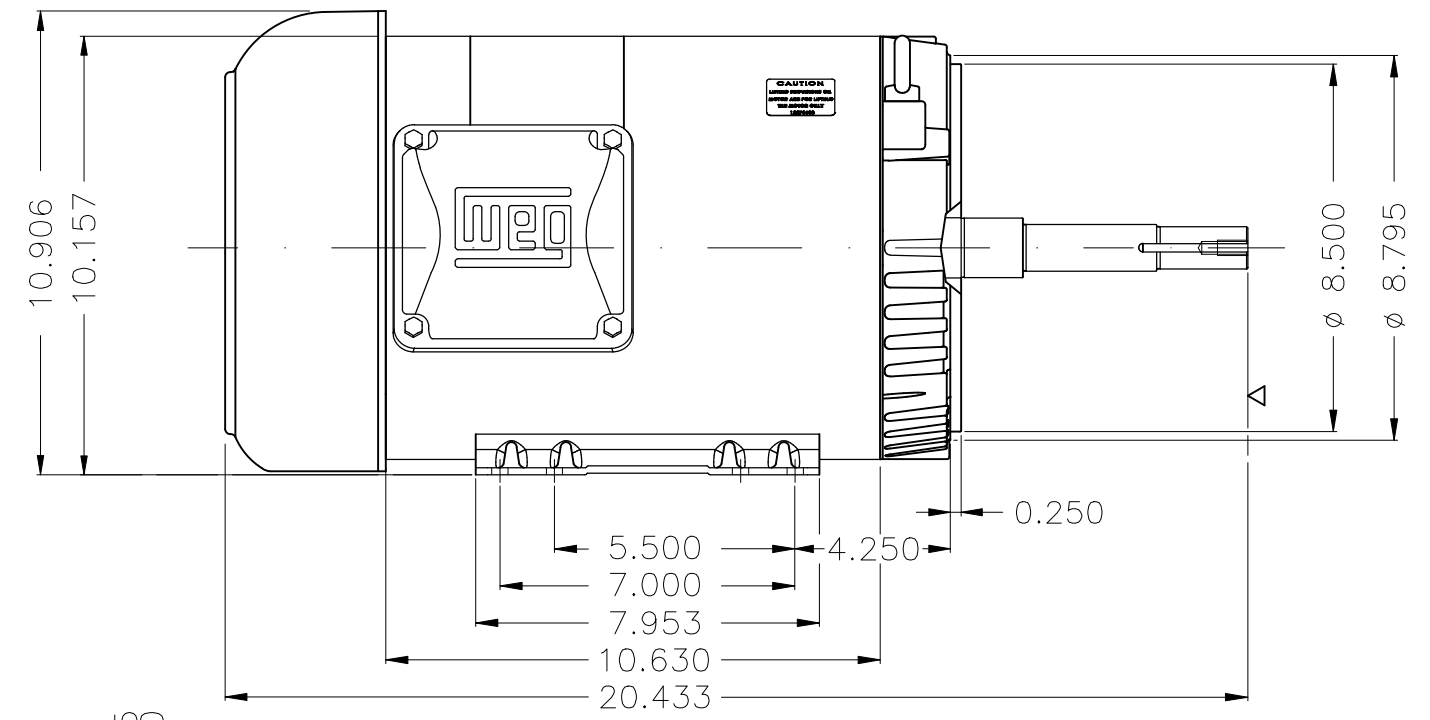
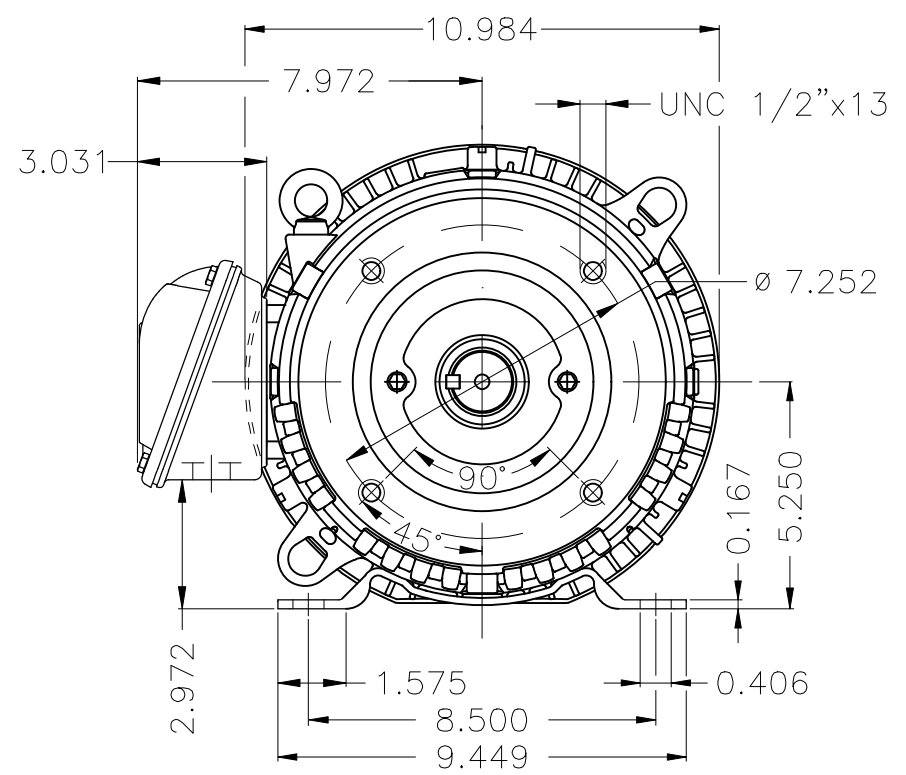
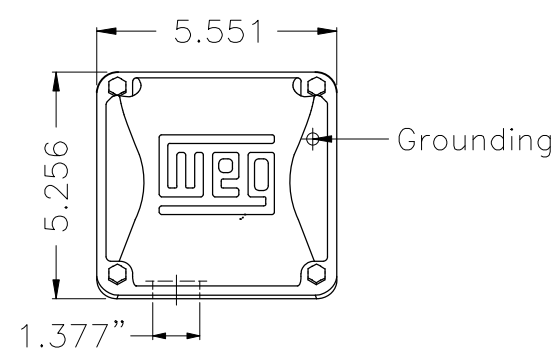
Performance : 575 V 60 Hz 4P

Rated current : 9.76 A
LRC : 7.0
Rated torque : 4.12 kgfm
Locked rotor torque : 250 %
Breakdown torque : 300 %
Rated speed : 1760 rpm

Moment of inertia (J) : 0.0451 kgm²
Duty cycle : Cont.(S1)
Insulation class : F
Service factor : 1.15
Temperature rise : 80 K
Design : B

Rev.	Changes Summary	Performed	Checked	Date
Performed by			Page 2 / 2	Revision
Checked by				
Date	16/05/2022			

A
B
C
D
E



EUNC 3/8"-16 WEG WPR-7309

DE Shaft End

Color Munsell N 1 matte black											
Painting plan 207N											
Mounting B34D											
								HYBRISUSER		00	
ECM	LOC	SUMMARY OF MODIFICATIONS					EXECUTED	CHECKED	RELEASED	DATE	VER
EXECUTED	HYBRISUSER	THREE PH. MOTOR ROLLED STEEL JM NEMA PREM. EFF.									
CHECKED		FRAME 213/5JM IP55 TEFC									
RELEASED											
REL. DATE		WMO	Jaragua do Sul	Product Engineering	SHEET		1 / 1				

10 HP 04 Poles 60 Hz

A

