

DATA SHEET



Three Phase Induction Motor - Squirrel Cage

Customer	:				
Product line	: JM Pump NEMA Premium Efficiency Three-Phase	Product code :	13289039		
Frame	: 213/5JM	Cooling method	: IC01 - ODP		
Insulation class	: F	Mounting	: W-6		
Duty cycle	: Cont.(S1)	Rotation ¹	: Both (CW and CCW)		
Ambient temperature	: -20°C to +40°C	Starting method	: Direct On Line		
Altitude	: 1000 m.a.s.l.	Approx. weight ³	: 58.0 kg		
Design	: B	Moment of inertia (J)	: 0.0546 kgm ²		
Output [HP]	10				
Poles	4				
Frequency [Hz]	60				
Rated voltage [V]	575				
Rated current [A]	9.92				
L. R. Amperes [A]	69.4				
LRC [A]	7.0x(Code H)				
No load current [A]	4.79				
Rated speed [RPM]	1770				
Slip [%]	1.67				
Rated torque [kgfm]	4.10				
Locked rotor torque [%]	250				
Breakdown torque [%]	350				
Service factor	1.15				
Temperature rise	80 K				
Locked rotor time	25s (cold) 14s (hot)				
Noise level ²	59.0 dB(A)				
Efficiency (%)	25%	89.4			
	50%	90.2			
	75%	91.0			
	100%	91.7			
Power Factor	25%	0.38			
	50%	0.64			
	75%	0.77			
	100%	0.83			
Bearing type	: Drive end	Non drive end	Foundation loads		
Sealing	: 6209 ZZ	6206 ZZ	Max. traction	: 236 kgf	
Lubrication interval	: Without	Without	Max. compression	: 294 kgf	
Lubricant amount	: Bearing Seal	Bearing Seal			
Lubricant type	: -	-			
Notes					
This revision replaces and cancel the previous one, which must be eliminated. (1) Looking the motor from the shaft end. (2) Measured at 1m and with tolerance of +3dB(A). (3) Approximate weight subject to changes after manufacturing process. (4) At 100% of full load.			These are average values based on tests with sinusoidal power supply, subject to the tolerances stipulated in NEMA MG-1.		
Rev.	Changes Summary		Performed	Checked	Date
Performed by					
Checked by				Page	Revision
Date	16/05/2022			1 / 2	

LOAD PERFORMANCE CURVE

Three Phase Induction Motor - Squirrel Cage

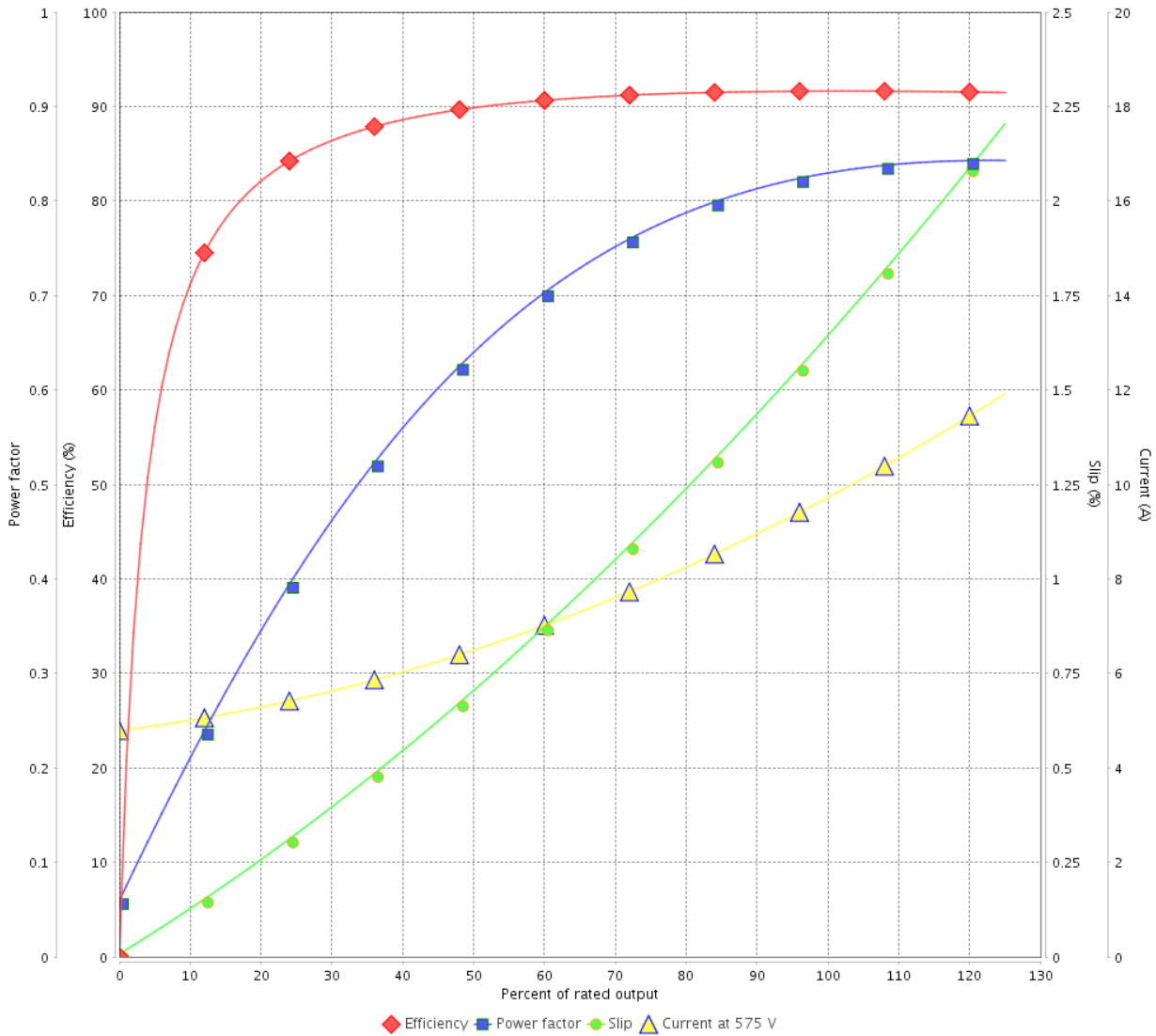


Customer :

Product line : JM Pump NEMA Premium
Efficiency Three-Phase

Product code : 13289039

LOAD PERFORMANCE CURVE



Performance : 575 V 60 Hz 4P

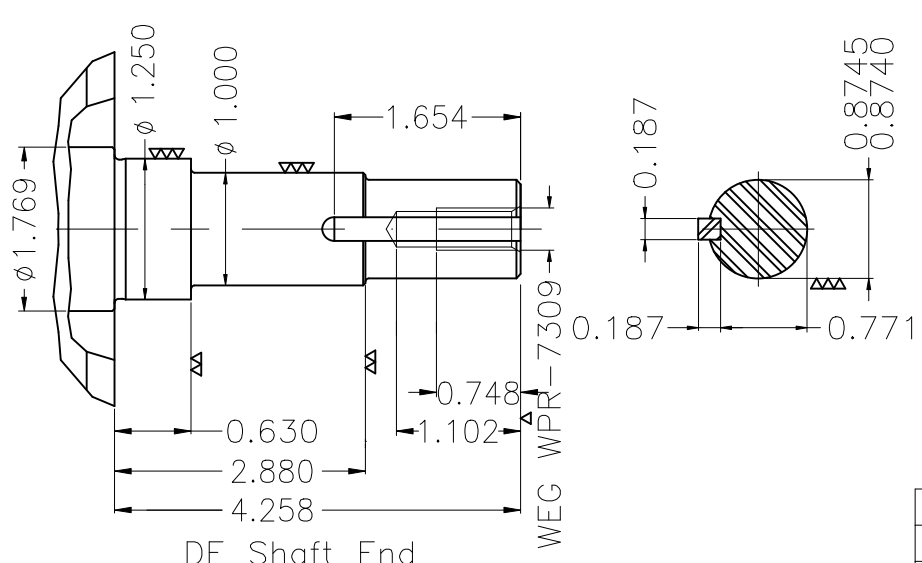
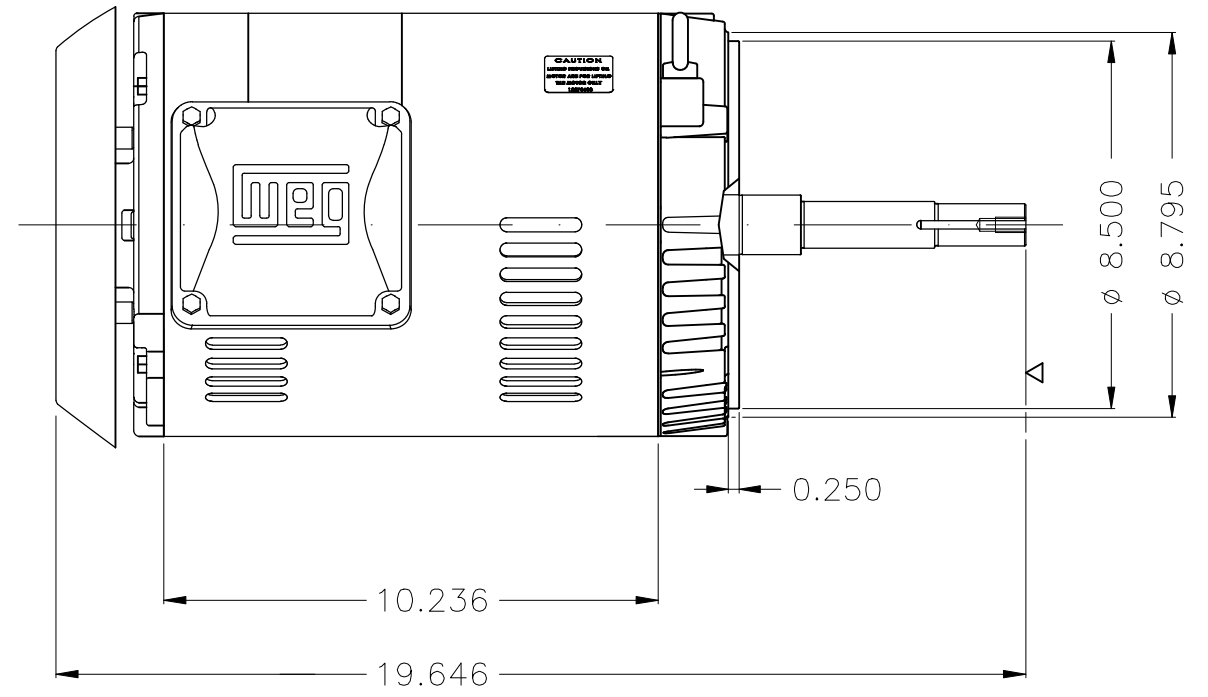
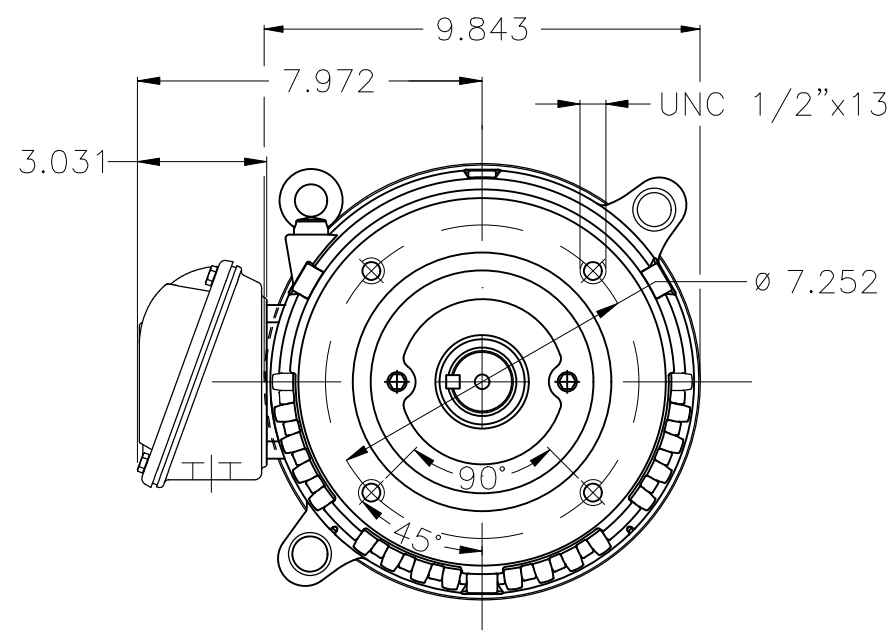
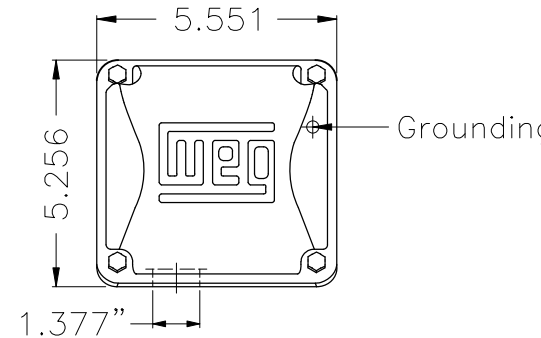
Rated current : 9.92 A
LRC : 7.0
Rated torque : 4.10 kgfm
Locked rotor torque : 250 %
Breakdown torque : 350 %
Rated speed : 1770 rpm

Moment of inertia (J) : 0.0546 kgm²
Duty cycle : Cont.(S1)
Insulation class : F
Service factor : 1.15
Temperature rise : 80 K
Design : B

Rev.	Changes Summary	Performed	Checked	Date
Performed by			Page 2 / 2	Revision
Checked by				
Date	16/05/2022			

1 2 3 4 5 6

A
B
C
D
E



EUNC 3/8"-16 WEG WPR-7309

DE Shaft End

Color Munsell N 1 matte black						
Painting plan 207N						
Mounting W-6/V18R(D)						
				HYBRISUSER		00
ECM	LOC	SUMMARY OF MODIFICATIONS		EXECUTED	CHECKED	RELEASED
EXECUTED	HYBRISUSER	THREE PH. MOTOR ROLLED STEEL JM NEMA PREM. EFF. FRAME 213/5JM IP21 ODP				
CHECKED						
RELEASED						
REL. DATE		WMO	Jaragua do Sul	Product Engineering	WDD	00
				SHEET	1 / 1	

10 HP 04 Poles 60 Hz

