

DATA SHEET



Three Phase Induction Motor - Squirrel Cage

Customer	:				
Product line	: JM Pump NEMA Premium Efficiency Three-Phase	Product code :	13634356		
Frame	: 213/5JM	Cooling method	: IC01 - ODP		
Insulation class	: F	Mounting	: W-6		
Duty cycle	: Cont.(S1)	Rotation ¹	: Both (CW and CCW)		
Ambient temperature	: -20°C to +40°C	Starting method	: Direct On Line		
Altitude	: 1000 m.a.s.l.	Approx. weight ³	: 55.5 kg		
Design	: B	Moment of inertia (J)	: 0.0196 kgm ²		
Output [HP]	10				
Poles	2				
Frequency [Hz]	60				
Rated voltage [V]	575				
Rated current [A]	9.60				
L. R. Amperes [A]	65.3				
LRC [A]	6.8x(Code H)				
No load current [A]	3.73				
Rated speed [RPM]	3535				
Slip [%]	1.81				
Rated torque [kgfm]	2.05				
Locked rotor torque [%]	200				
Breakdown torque [%]	280				
Service factor	1.15				
Temperature rise	80 K				
Locked rotor time	19s (cold) 11s (hot)				
Noise level ²	66.0 dB(A)				
Efficiency (%)	25%				
	50%	88.5			
	75%	89.5			
	100%	89.5			
Power Factor	25%				
	50%	0.74			
	75%	0.84			
	100%	0.88			
Bearing type	: Drive end	Non drive end	Foundation loads		
Sealing	: Without	Without	Max. traction	: 78 kgf	
Lubrication interval	: -	-	Max. compression	: 134 kgf	
Lubricant amount	: -	-			
Lubricant type	: Mobil Polyrex EM				
Notes					
This revision replaces and cancel the previous one, which must be eliminated. (1) Looking the motor from the shaft end. (2) Measured at 1m and with tolerance of +3dB(A). (3) Approximate weight subject to changes after manufacturing process. (4) At 100% of full load.			These are average values based on tests with sinusoidal power supply, subject to the tolerances stipulated in NEMA MG-1.		
Rev.	Changes Summary		Performed	Checked	Date
Performed by					
Checked by				Page	Revision
Date	16/05/2022			1 / 2	

LOAD PERFORMANCE CURVE

Three Phase Induction Motor - Squirrel Cage

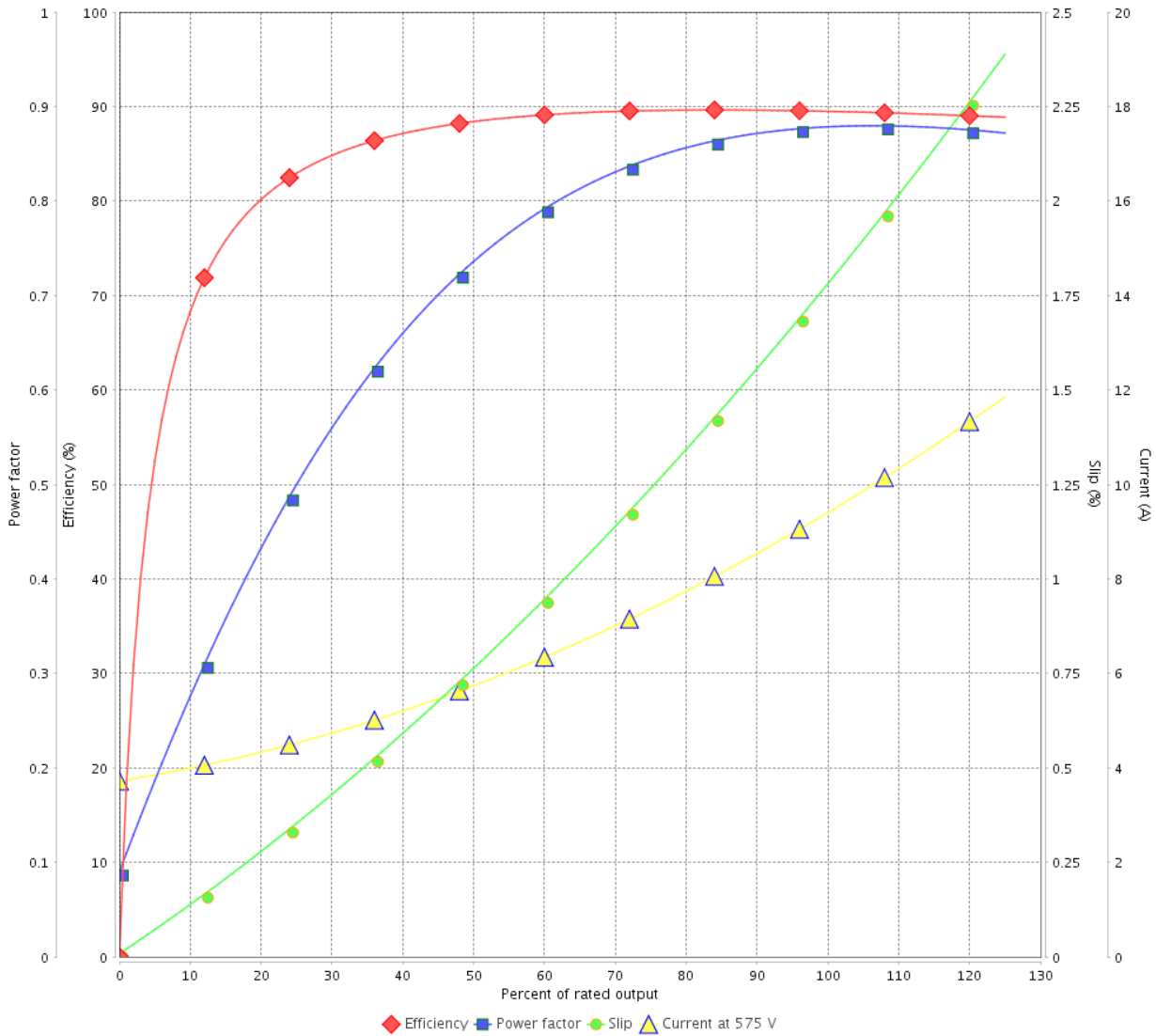


Customer :

Product line : JM Pump NEMA Premium
Efficiency Three-Phase

Product code : 13634356

LOAD PERFORMANCE CURVE

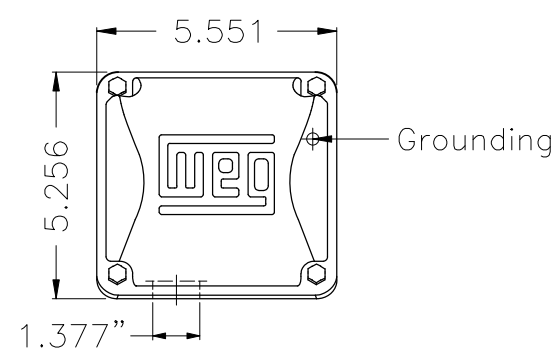


Performance : 575 V 60 Hz 2P

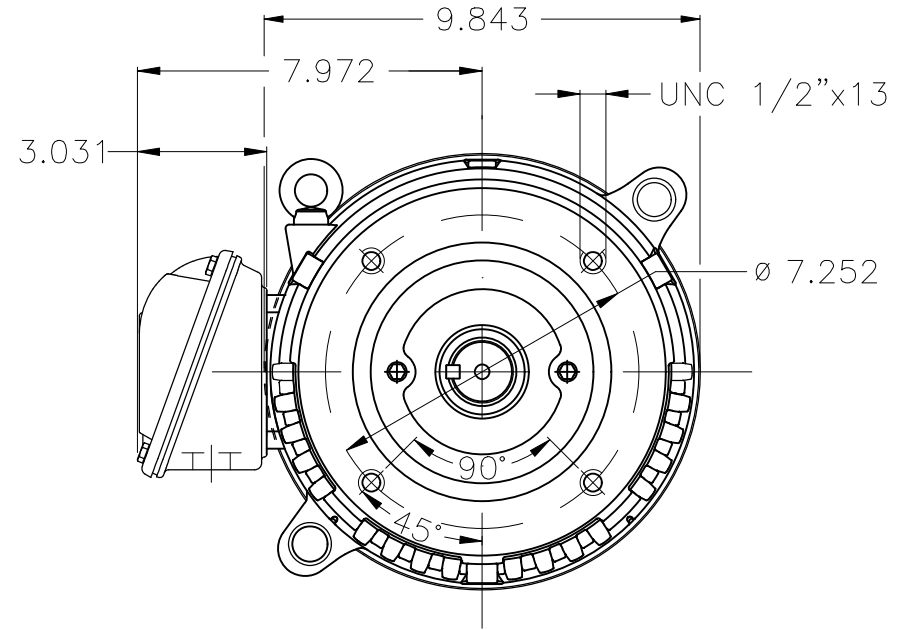
Rated current	: 9.60 A	Moment of inertia (J)	: 0.0196 kgm ²
LRC	: 6.8	Duty cycle	: Cont.(S1)
Rated torque	: 2.05 kgfm	Insulation class	: F
Locked rotor torque	: 200 %	Service factor	: 1.15
Breakdown torque	: 280 %	Temperature rise	: 80 K
Rated speed	: 3535 rpm	Design	: B

Rev.	Changes Summary	Performed	Checked	Date
Performed by			Page 2 / 2	Revision
Checked by				
Date	16/05/2022			

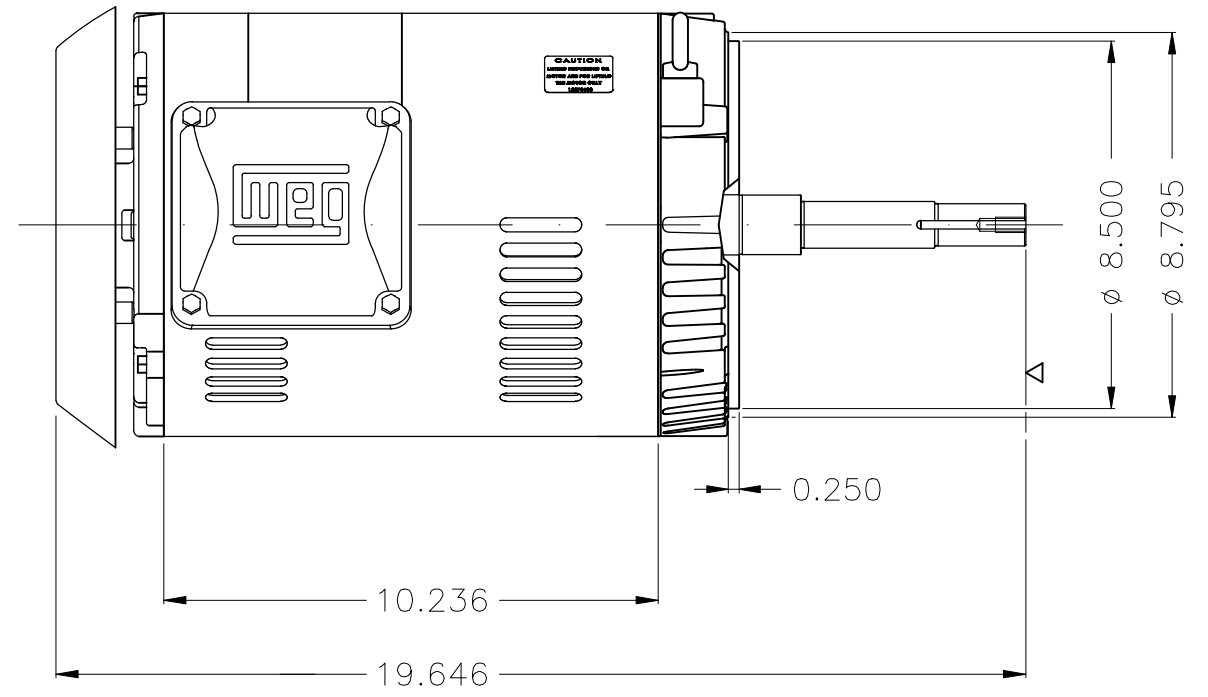
A



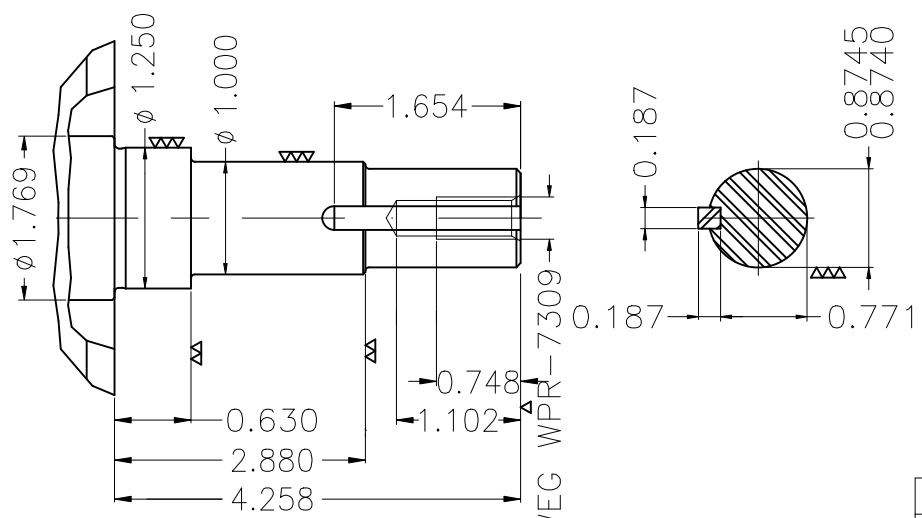
B



C



D



E

EUNC 3/8"-16 WEG WPR-7309

DE Shaft End

Color Munsell N 1 matte black
 Painting plan 207N
 Mounting W-6/V18R(D)

ECM	LOC	SUMMARY OF MODIFICATIONS	EXECUTED	CHECKED	RELEASED	DATE	VER
EXECUTED	HYBRISUSER	THREE PH. MOTOR ROLLED STEEL JM NEMA PREM. EFF. FRAME 213/5JM IP21 ODP					00
CHECKED							
RELEASED							
REL. DATE	WMO	Jaragua do Sul	Product Engineering	WDD	00	1 / 1	

10 HP 02 Poles 60 Hz

A

