

# DATA SHEET



## Three Phase Induction Motor - Squirrel Cage

Customer :

Product line : Close Coupled Pump NEMA Premium Efficiency Three-Phase Product code : 11084484

Frame	: 213/5JM	Locked rotor time	: 27s (cold) 15s (hot)
Output	: 10 HP (7.5 kW)	Temperature rise	: 80 K
Poles	: 2	Duty cycle	: Cont.(S1)
Frequency	: 60 Hz	Ambient temperature	: -20°C to +40°C
Rated voltage	: 575 V	Altitude	: 1000 m.a.s.l.
Rated current	: 9.52 A	Protection degree	: IP21
L. R. Amperes	: 68.5 A	Cooling method	: IC01 - ODP
LRC	: 7.2x(Code H)	Mounting	: F-1
No load current	: 2.80 A	Rotation <sup>1</sup>	: Both (CW and CCW)
Rated speed	: 3540 rpm	Noise level <sup>2</sup>	: 68.0 dB(A)
Slip	: 1.67 %	Starting method	: Direct On Line
Rated torque	: 2.05 kgfm	Approx. weight <sup>3</sup>	: 58.1 kg
Locked rotor torque	: 220 %		
Breakdown torque	: 310 %		
Insulation class	: F		
Service factor	: 1.15		
Moment of inertia (J)	: 0.0206 kgm <sup>2</sup>		
Design	: B		

Output	50%	75%	100%	Foundation loads	
Efficiency (%)	89.5	90.2	90.2	Max. traction	: 88 kgf
Power Factor	0.73	0.83	0.88	Max. compression	: 146 kgf

	Drive end	Non drive end
Bearing type	: 6209 ZZ	: 6206 ZZ
Sealing	: Without Bearing Seal	: Without Bearing Seal
Lubrication interval	: -	: -
Lubricant amount	: -	: -
Lubricant type	: Mobil Polyrex EM	

### Notes

This revision replaces and cancel the previous one, which must be eliminated.

- (1) Looking the motor from the shaft end.
- (2) Measured at 1m and with tolerance of +3dB(A).
- (3) Approximate weight subject to changes after manufacturing process.
- (4) At 100% of full load.

These are average values based on tests with sinusoidal power supply, subject to the tolerances stipulated in NEMA MG-1.

Rev.	Changes Summary	Performed	Checked	Date
Performed by				
Checked by			Page	Revision
Date	23/10/2024		1 / 2	

# LOAD PERFORMANCE CURVE

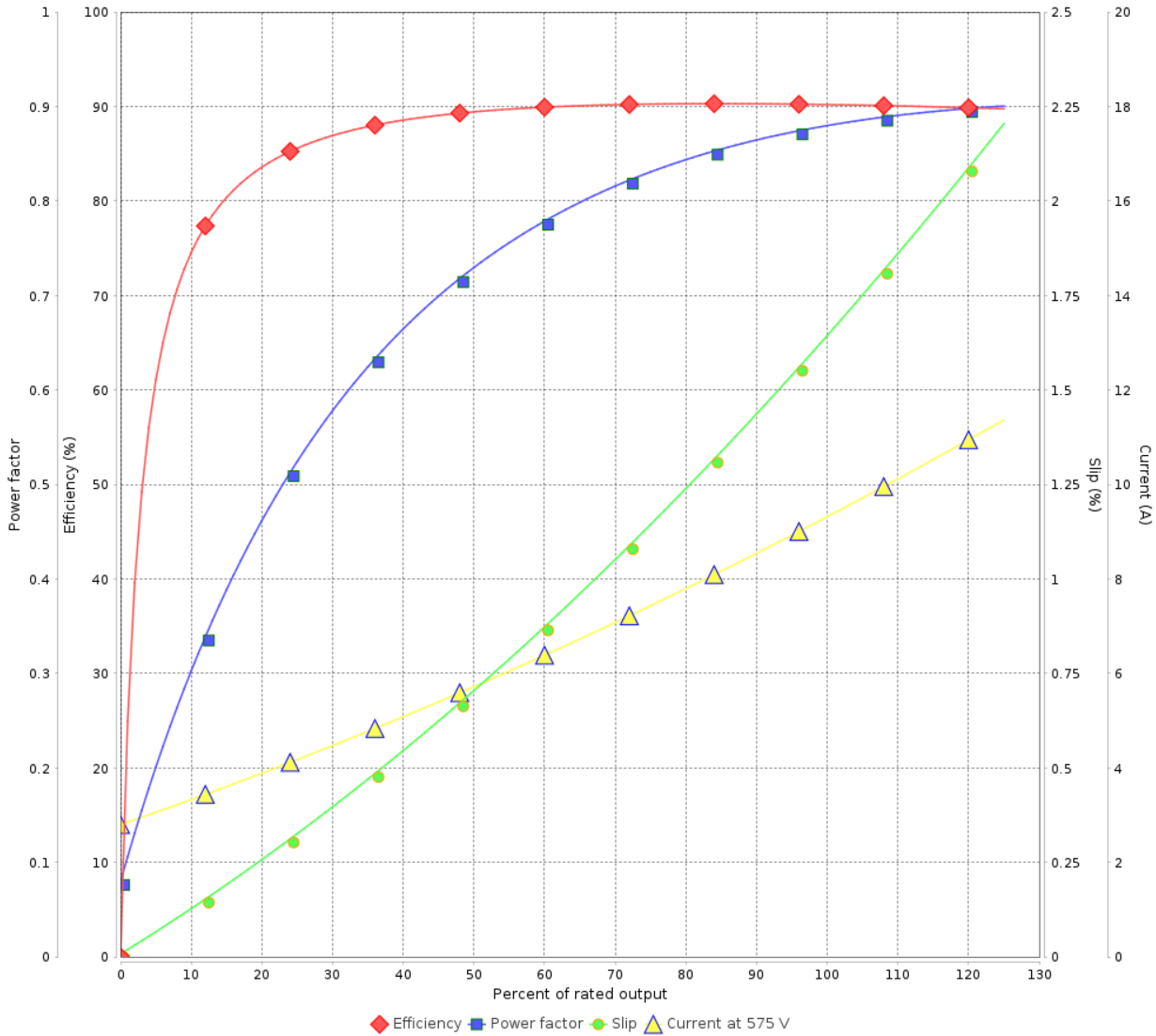
Three Phase Induction Motor - Squirrel Cage



Customer :

Product line : Close Coupled Pump NEMA Premium Efficiency Three-Phase      Product code : 11084484

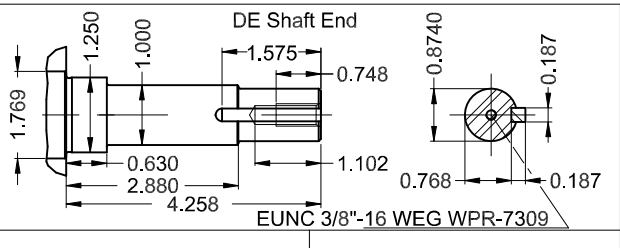
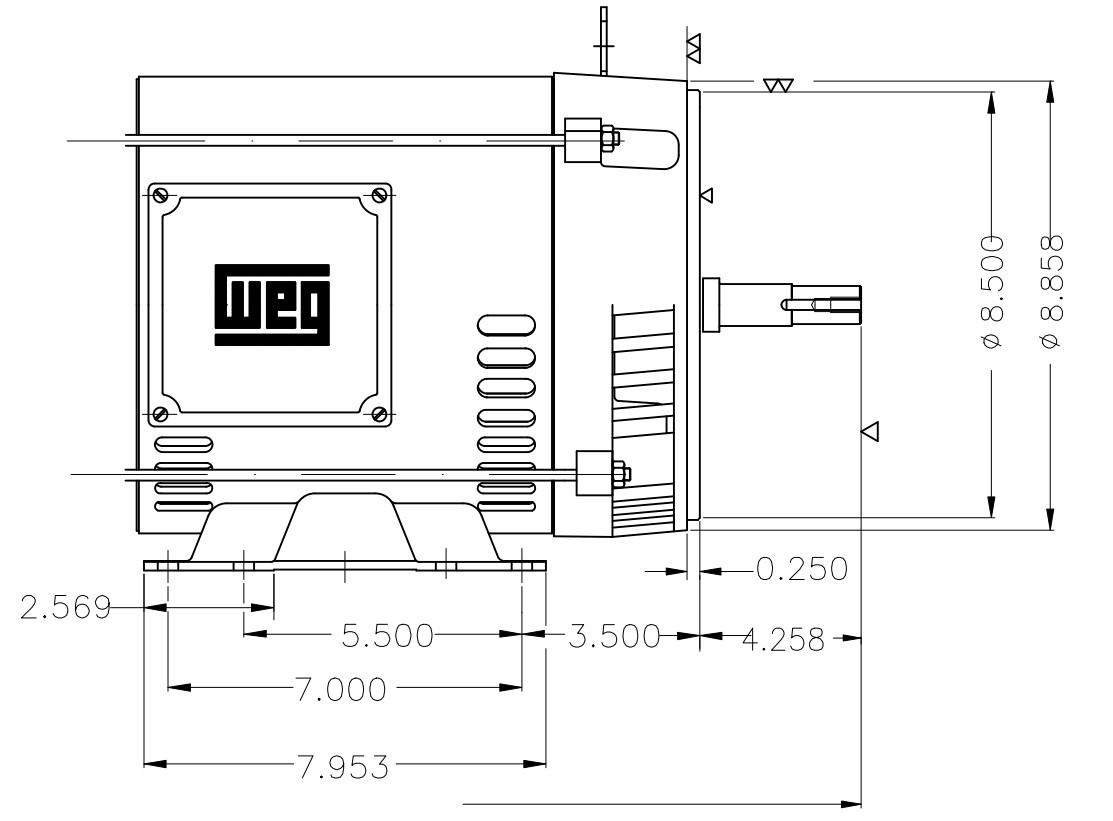
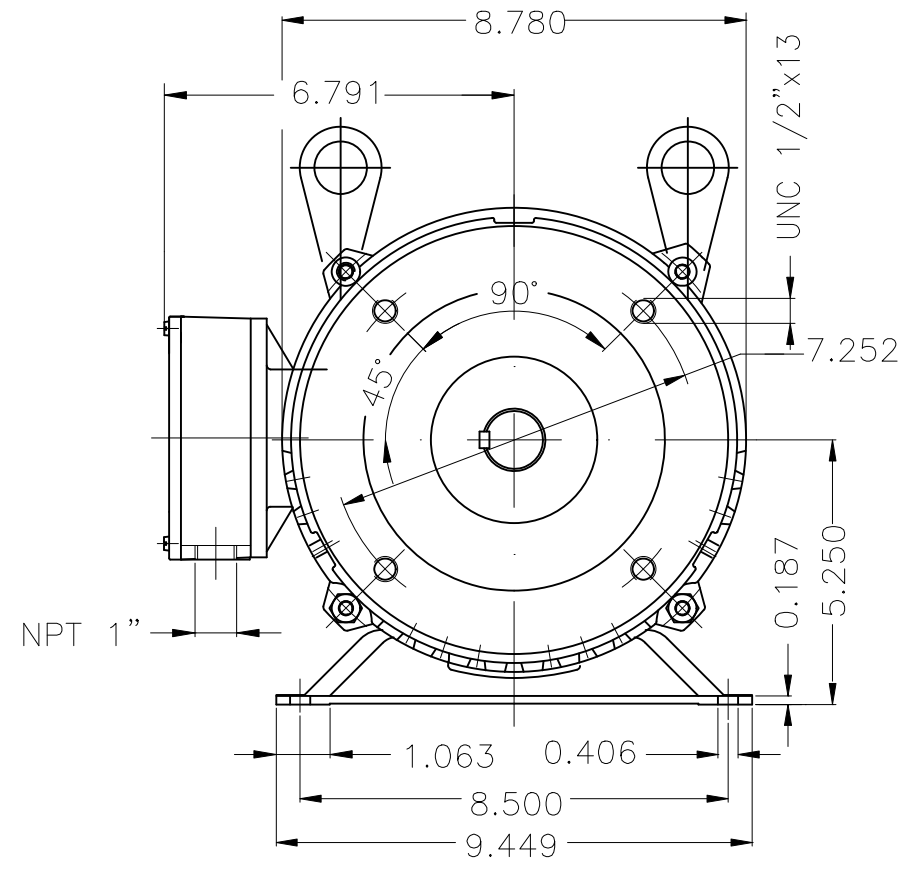
LOAD PERFORMANCE CURVE



Performance : 575 V 60 Hz 2P

Rated current	: 9.52 A	Moment of inertia (J)	: 0.0206 kgm <sup>2</sup>
LRC	: 7.2	Duty cycle	: Cont.(S1)
Rated torque	: 2.05 kgfm	Insulation class	: F
Locked rotor torque	: 220 %	Service factor	: 1.15
Breakdown torque	: 310 %	Temperature rise	: 80 K
Rated speed	: 3540 rpm	Design	: B

Rev.	Changes Summary	Performed	Checked	Date
Performed by			Page 2 / 2	Revision
Checked by				
Date	23/10/2024			



Without switch off thermal protection  
 Color RAL 5009  
 Painting plan 207A  
 Mounting B34D

10 HP 02 Poles 60 Hz								A	
HYBRISUSER								00	
ECM	LOC	SUMMARY OF MODIFICATIONS			EXECUTED	CHECKED	RELEASED	DATE	VER
EXECUTED	HYBRISUSER	THREE PH. MOTOR JM/JP/JET PUMP NEMA PREM. EFF.		PREVIEW					
CHECKED		FRAME 213/5JM IP21 ODP		WDD		00			
RELEASED				SHEET		1	/	1	
REL. DATE		WMO	Jaragua do Sul	Product Engineering					

