

DATA SHEET



Three Phase Induction Motor - Squirrel Cage

Customer :				
Product line	: JM Pump NEMA Premium Efficiency Three-Phase	Product code :	13180570	
Frame	: 213/5JM	Cooling method	: IC411 - TEFC	
Insulation class	: F	Mounting	: F-1	
Duty cycle	: Cont.(S1)	Rotation ¹	: Both (CW and CCW)	
Ambient temperature	: -20°C to +40°C	Starting method	: Direct On Line	
Altitude	: 1000 m.a.s.l.	Approx. weight ³	: 64.0 kg	
Protection degree	: IP55	Moment of inertia (J)	: 0.0451 kgm ²	
Design	: B			
Output [HP]	10	7.5	7.5	
Poles	4	4	4	
Frequency [Hz]	60	50	50	
Rated voltage [V]	230/460	190/380	220/415	
Rated current [A]	24.4/12.2	22.4/11.2	20.8/11.0	
L. R. Amperes [A]	171/85.4	170/85.1	172/91.3	
LRC [A]	7.0x(Code H)	7.6x(Code J)	8.3x(Code K)	
No load current [A]	11.1/5.54	10.9/5.46	11.3/5.97	
Rated speed [RPM]	1760	1465	1470	
Slip [%]	2.22	2.33	2.00	
Rated torque [kgfm]	4.12	3.72	3.70	
Locked rotor torque [%]	250	250	290	
Breakdown torque [%]	300	320	360	
Service factor	1.15	1.15	1.15	
Temperature rise	80 K	80 K	80 K	
Locked rotor time	27s (cold) 15s (hot)	0s (cold) 0s (hot)	0s (cold) 0s (hot)	
Noise level ²	60.0 dB(A)	57.0 dB(A)	57.0 dB(A)	
Efficiency (%)	25%	90.2	89.3	
	50%	91.0	89.4	
	75%	91.0	90.5	
	100%	91.7	90.3	
Power Factor	25%	0.41	0.34	
	50%	0.67	0.59	
	75%	0.78	0.73	
	100%	0.84	0.80	
Bearing type	: <u>Drive end</u> 6209 ZZ <u>Non drive end</u> 6206 ZZ	Foundation loads		
Sealing	: V'Ring Without Bearing Seal	Max. traction	: 214 kgf	
		Max. compression	: 278 kgf	
Lubrication interval	: -			
Lubricant amount	: -			
Lubricant type	: Mobil Polyrex EM			
Notes USABLE @208V 27.0A SF 1.00 SFA 27.0A				
This revision replaces and cancel the previous one, which must be eliminated. (1) Looking the motor from the shaft end. (2) Measured at 1m and with tolerance of +3dB(A). (3) Approximate weight subject to changes after manufacturing process. (4) At 100% of full load.		These are average values based on tests with sinusoidal power supply, subject to the tolerances stipulated in NEMA MG-1.		
Rev.	Changes Summary	Performed	Checked	Date
Performed by				
Checked by			Page	Revision
Date	16/05/2022		1 / 4	

LOAD PERFORMANCE CURVE

Three Phase Induction Motor - Squirrel Cage

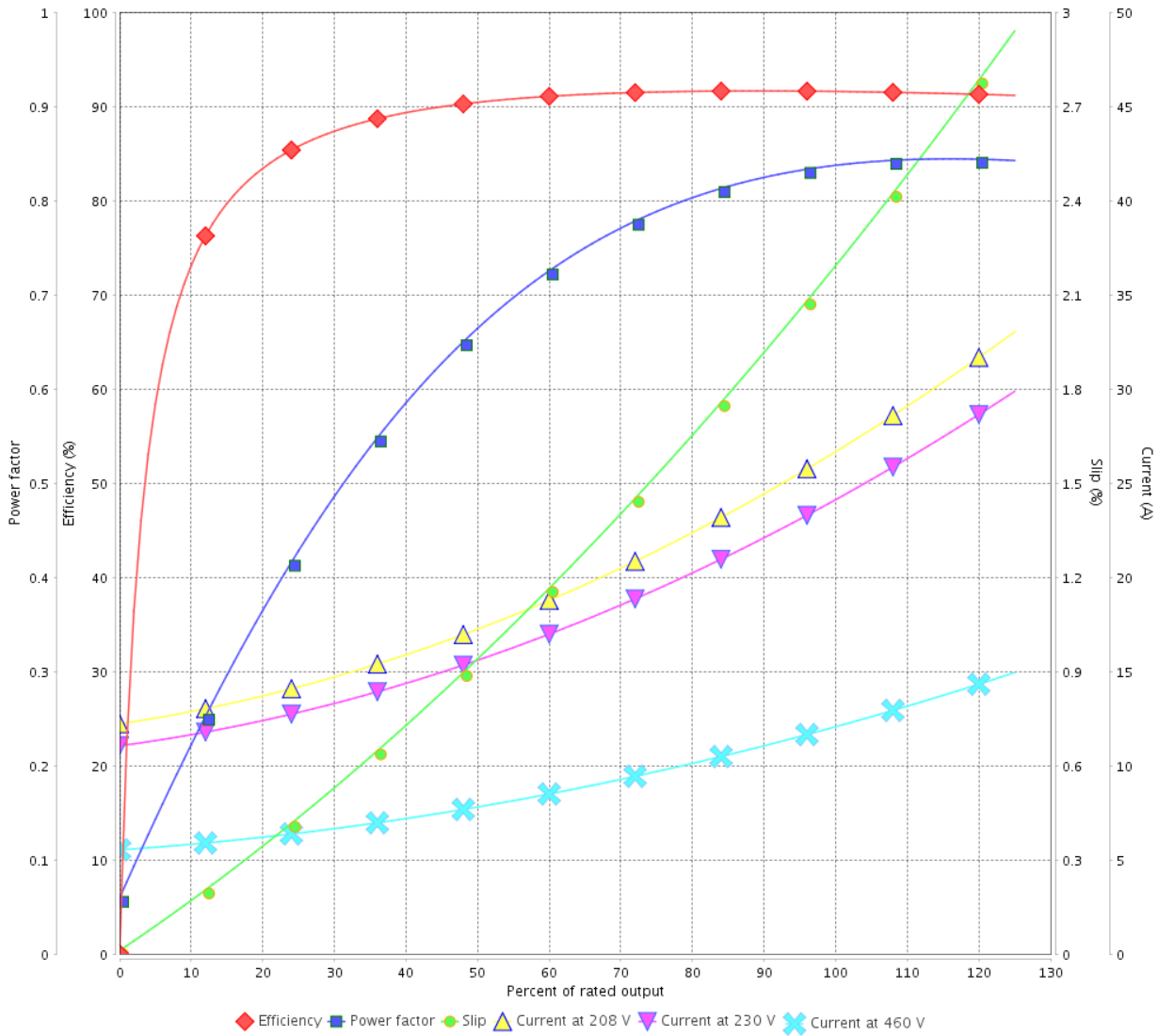


Customer :

Product line : JM Pump NEMA Premium
Efficiency Three-Phase

Product code : 13180570

LOAD PERFORMANCE CURVE



Performance : 230/460 V 60 Hz 4P

Rated current : 24.4/12.2 A
 LRC : 7.0
 Rated torque : 4.12 kgfm
 Locked rotor torque : 250 %
 Breakdown torque : 300 %
 Rated speed : 1760 rpm

Moment of inertia (J) : 0.0451 kgm²
 Duty cycle : Cont.(S1)
 Insulation class : F
 Service factor : 1.15
 Temperature rise : 80 K
 Design : B

Rev.	Changes Summary	Performed	Checked	Date
Performed by			Page 2 / 4	Revision
Checked by				
Date	16/05/2022			

LOAD PERFORMANCE CURVE

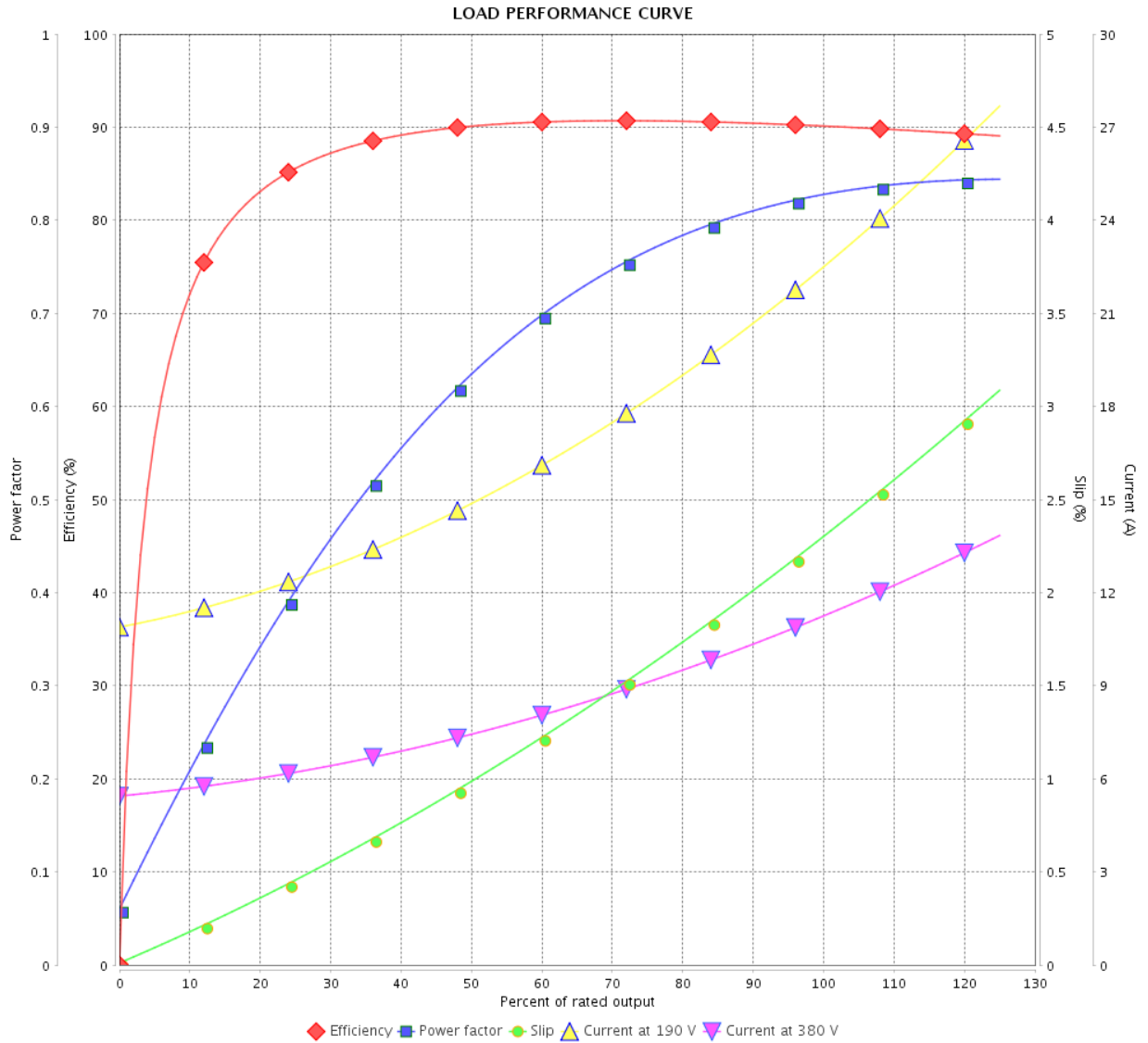
Three Phase Induction Motor - Squirrel Cage



Customer : _____

Product line : JM Pump NEMA Premium
Efficiency Three-Phase

Product code : 13180570



Performance : 190/380 V 50 Hz 4P

Rated current : 22.4/11.2 A
 LRC : 7.6
 Rated torque : 3.72 kgfm
 Locked rotor torque : 250 %
 Breakdown torque : 320 %
 Rated speed : 1465 rpm

Moment of inertia (J) : 0.0451 kgm²
 Duty cycle : Cont.(S1)
 Insulation class : F
 Service factor : 1.15
 Temperature rise : 80 K
 Design : B

Rev.	Changes Summary	Performed	Checked	Date
Performed by			Page	Revision
Checked by				
Date				

LOAD PERFORMANCE CURVE

Three Phase Induction Motor - Squirrel Cage

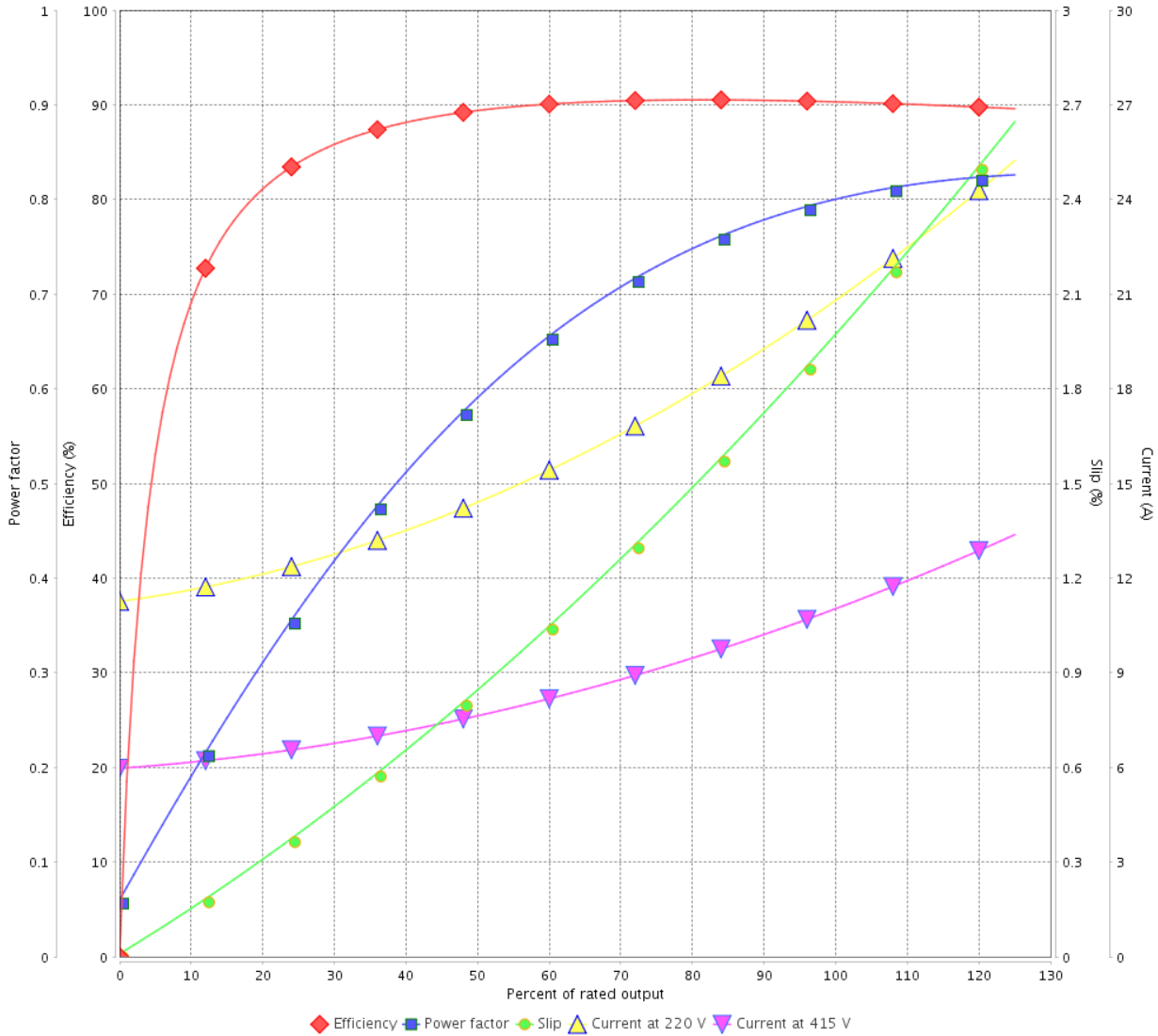


Customer :

Product line : JM Pump NEMA Premium
Efficiency Three-Phase

Product code : 13180570

LOAD PERFORMANCE CURVE



Performance : 220/415 V 50 Hz 4P

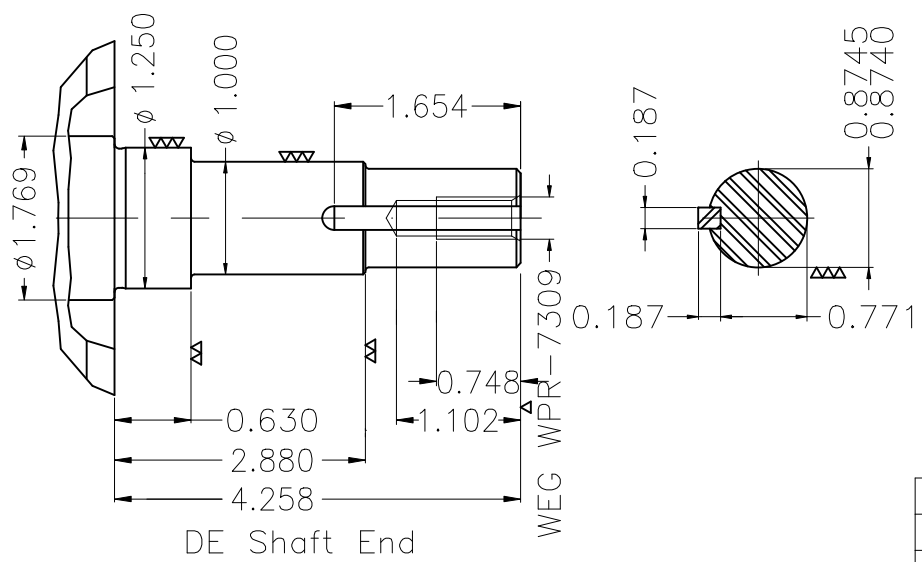
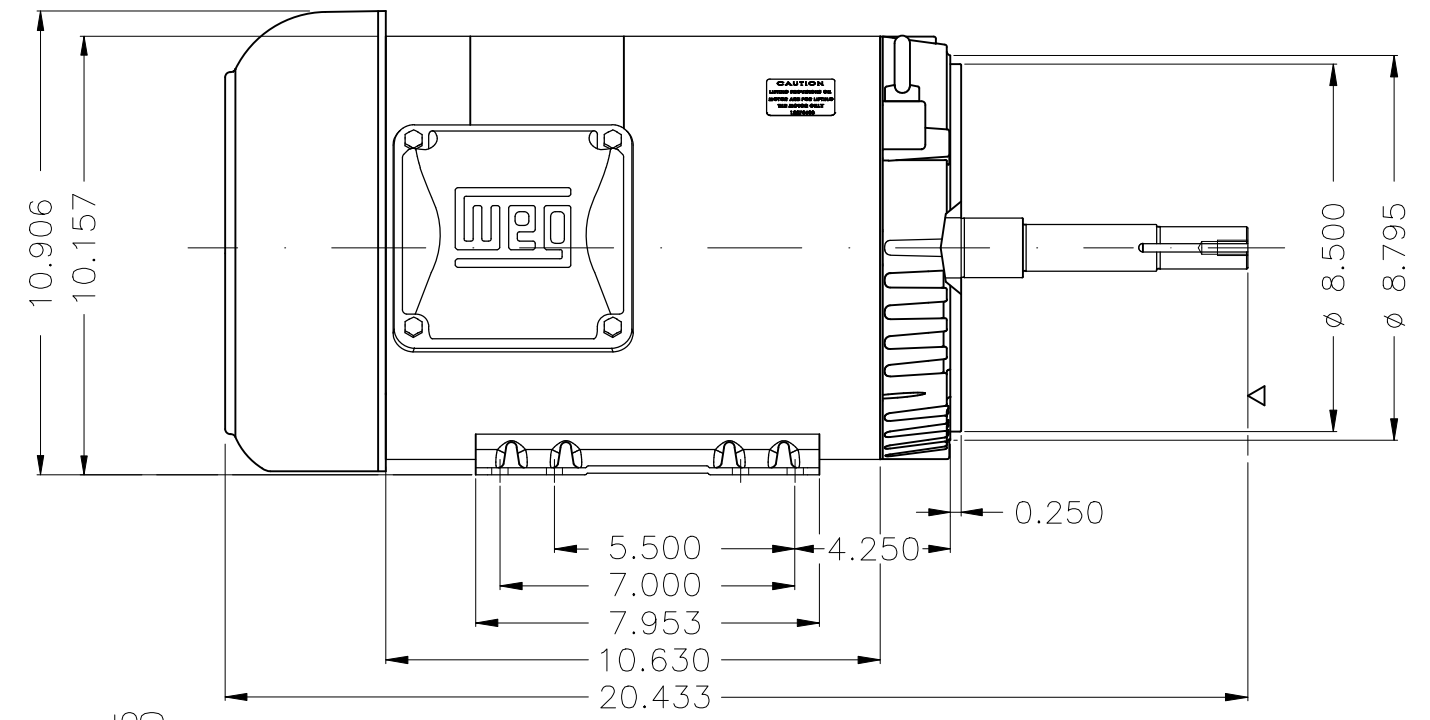
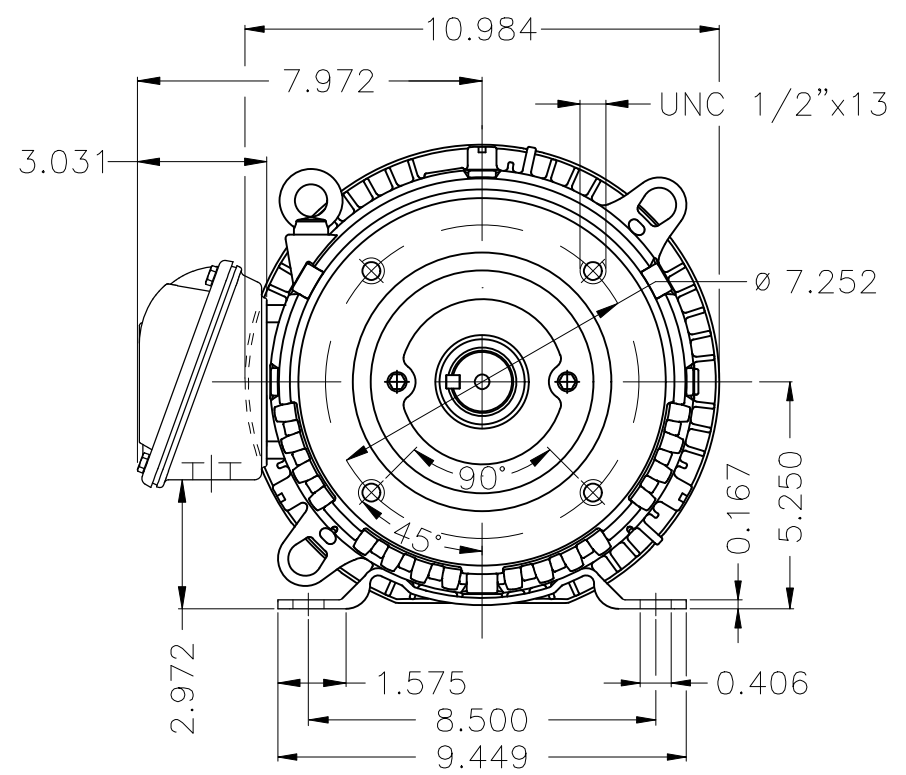
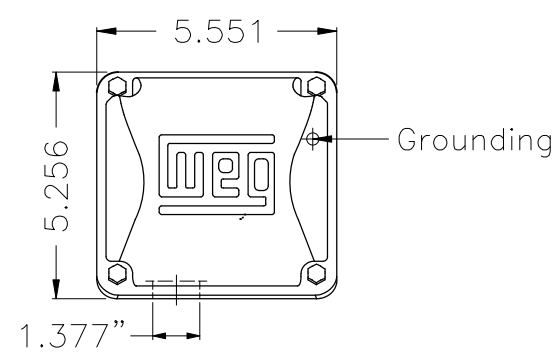
Rated current : 20.8/11.0 A
LRC : 8.3
Rated torque : 3.70 kgfm
Locked rotor torque : 290 %
Breakdown torque : 360 %
Rated speed : 1470 rpm

Moment of inertia (J) : 0.0451 kgm²
Duty cycle : Cont.(S1)
Insulation class : F
Service factor : 1.15
Temperature rise : 80 K
Design : B

Rev.	Changes Summary	Performed	Checked	Date
Performed by			Page	Revision
Checked by				
Date				

1 2 3 4 5 6

A
B
C
D
E



EUNC 3/8"-16 WEG WPR-7309

DE Shaft End

Color Munsell N 1 matte black												
Painting plan 207N												
Mounting B34D												
								HYBRISUSER		00		
ECM		LOC		SUMMARY OF MODIFICATIONS				EXECUTED	CHECKED	RELEASED	DATE	VER
EXECUTED		HYBRISUSER		THREE PH. MOTOR ROLLED STEEL JM NEMA PREM. EFF.				EXECUTED	CHECKED	RELEASED	DATE	VER
CHECKED				FRAME 213/5JM IP55 TEFC				EXECUTED	CHECKED	RELEASED	DATE	VER
RELEASED								EXECUTED	CHECKED	RELEASED	DATE	VER
REL. DATE				WMO Jaragua do Sul				Product Engineering	SHEET	1 / 1	PREVIEW	WDD 00

10 HP 04 Poles 60 Hz

A

