

# DATA SHEET



## Three Phase Induction Motor - Squirrel Cage

Customer :

Product line : Close Coupled Pump NEMA Premium Efficiency Three-Phase Product code : 11080264

Frame	: E143/5JM	Locked rotor time	: 27s (cold) 15s (hot)
Output	: 2 HP (1.5 kW)	Temperature rise	: 80 K
Poles	: 2	Duty cycle	: Cont.(S1)
Frequency	: 60 Hz	Ambient temperature	: -20°C to +40°C
Rated voltage	: 575 V	Altitude	: 1000 m.a.s.l.
Rated current	: 2.00 A	Protection degree	: IP21
L. R. Amperes	: 19.0 A	Cooling method	: IC01 - ODP
LRC	: 9.5x(Code L)	Mounting	: F-1
No load current	: 0.784 A	Rotation <sup>1</sup>	: Both (CW and CCW)
Rated speed	: 3430 rpm	Noise level <sup>2</sup>	: 60.0 dB(A)
Slip	: 4.72 %	Starting method	: Direct On Line
Rated torque	: 0.423 kgfm	Approx. weight <sup>3</sup>	: 20.0 kg
Locked rotor torque	: 450 %		
Breakdown torque	: 350 %		
Insulation class	: F		
Service factor	: 1.15		
Moment of inertia (J)	: 0.0025 kgm <sup>2</sup>		
Design	: B		

Output	50%	75%	100%	Foundation loads	
Efficiency (%)	84.0	85.5	86.5	Max. traction	: 32 kgf
Power Factor	0.70	0.81	0.87	Max. compression	: 52 kgf

	Drive end	Non drive end
Bearing type	: 6206 ZZ	: 6204 ZZ
Sealing	: Without Bearing Seal	: Without Bearing Seal
Lubrication interval	: -	: -
Lubricant amount	: -	: -
Lubricant type	: Mobil Polyrex EM	

### Notes

This revision replaces and cancel the previous one, which must be eliminated.

- (1) Looking the motor from the shaft end.
- (2) Measured at 1m and with tolerance of +3dB(A).
- (3) Approximate weight subject to changes after manufacturing process.
- (4) At 100% of full load.

These are average values based on tests with sinusoidal power supply, subject to the tolerances stipulated in NEMA MG-1.

Rev.	Changes Summary	Performed	Checked	Date
Performed by				
Checked by			Page	Revision
Date	23/10/2024		1 / 2	

# LOAD PERFORMANCE CURVE

Three Phase Induction Motor - Squirrel Cage

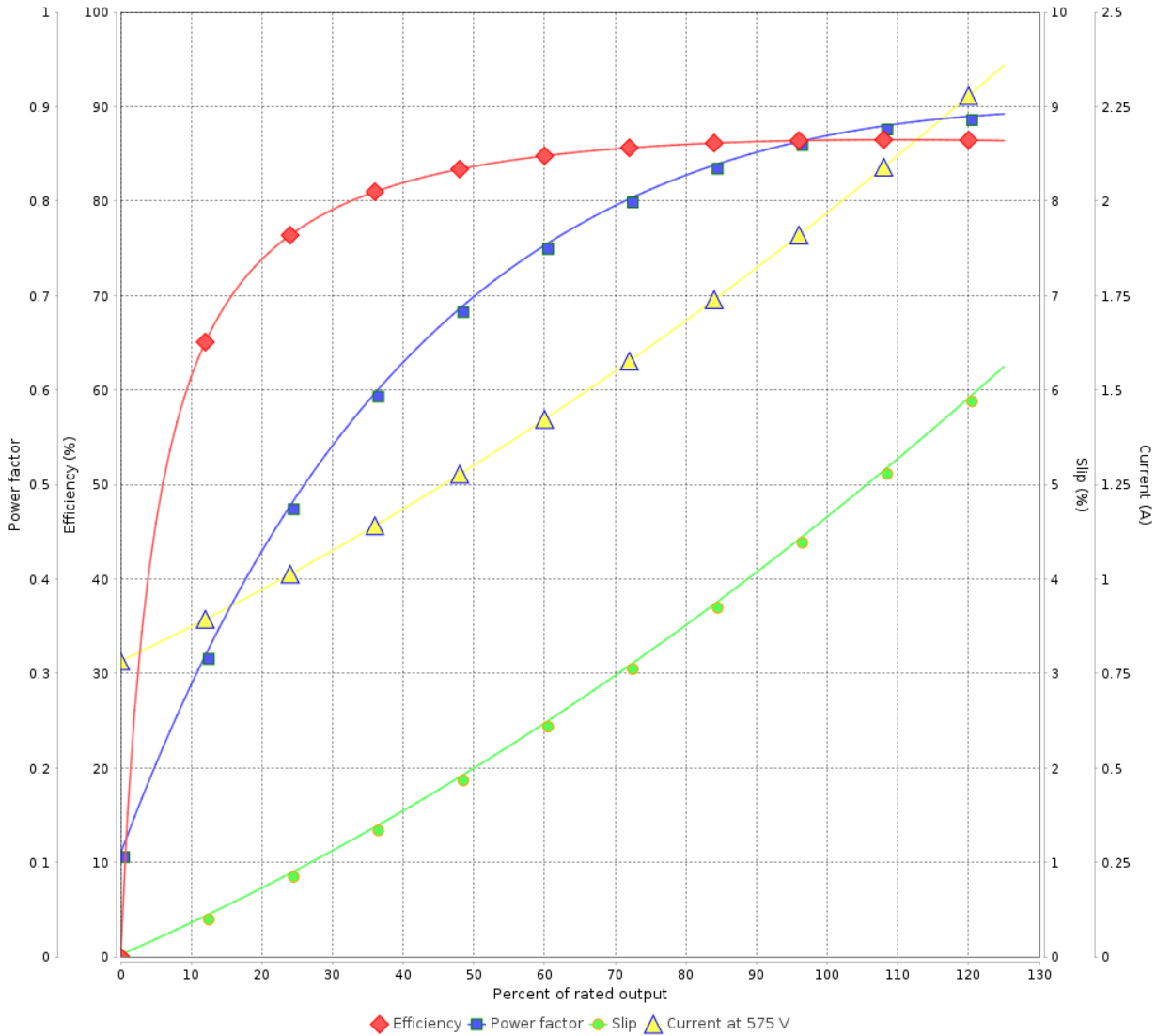


Customer :

Product line : Close Coupled Pump NEMA  
Premium Efficiency Three-Phase

Product code : 11080264

LOAD PERFORMANCE CURVE

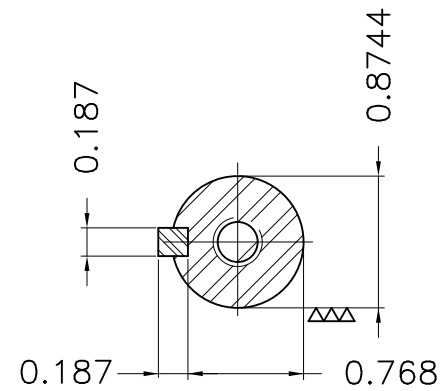
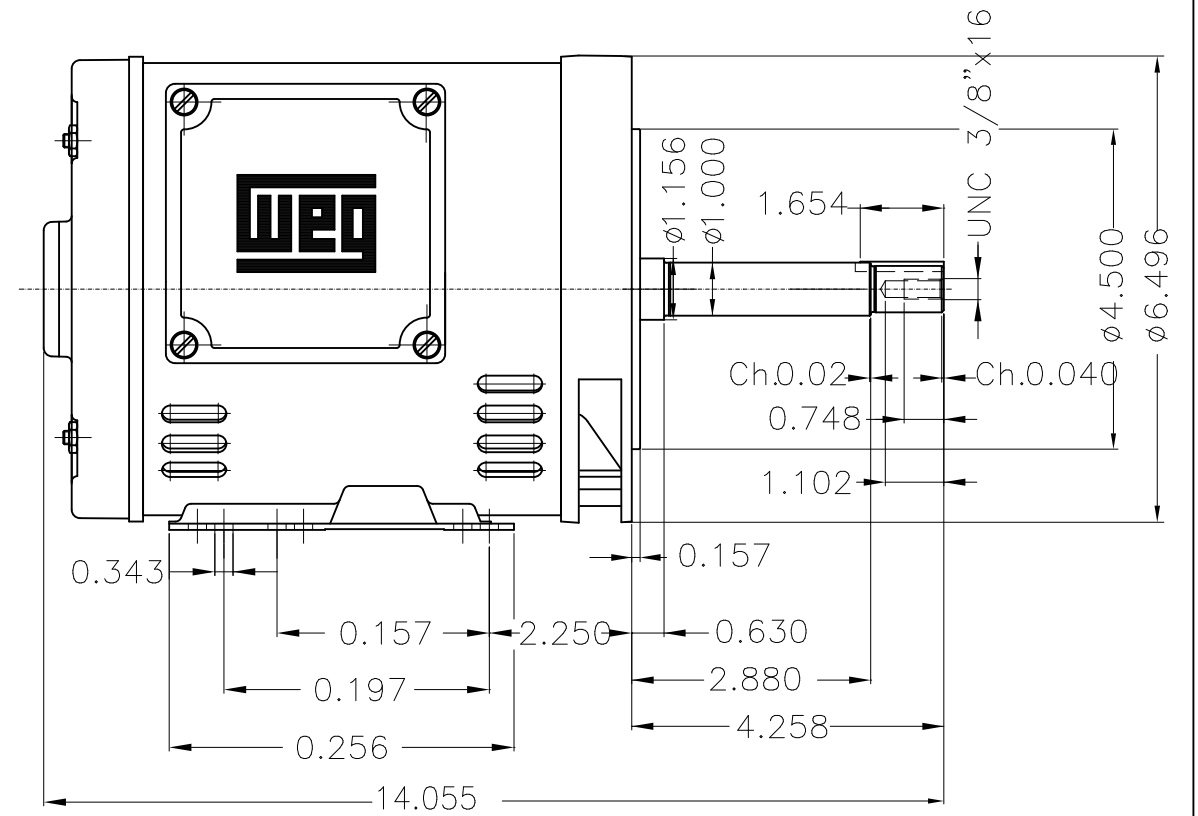
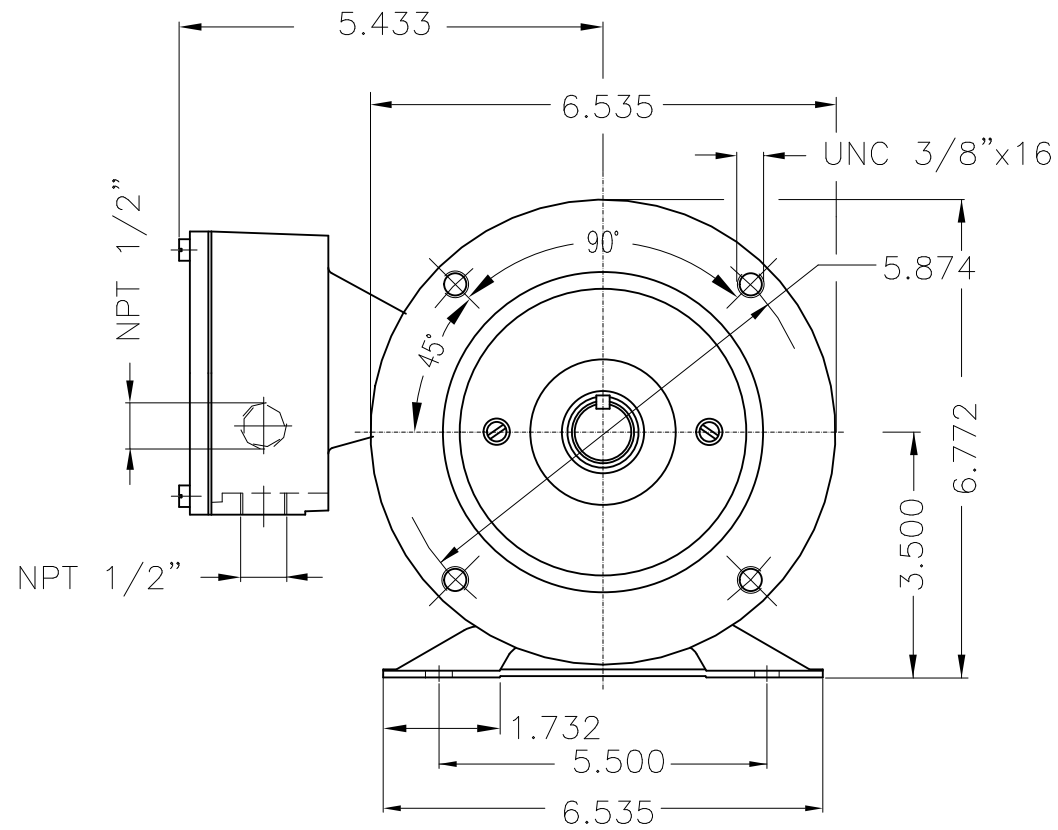


Performance : 575 V 60 Hz 2P

Rated current : 2.00 A  
LRC : 9.5  
Rated torque : 0.423 kgfm  
Locked rotor torque : 450 %  
Breakdown torque : 350 %  
Rated speed : 3430 rpm

Moment of inertia (J) : 0.0025 kgm<sup>2</sup>  
Duty cycle : Cont.(S1)  
Insulation class : F  
Service factor : 1.15  
Temperature rise : 80 K  
Design : B

Rev.	Changes Summary	Performed	Checked	Date
Performed by			Page 2 / 2	Revision
Checked by				
Date	23/10/2024			



Dimensions in inches

Without switch off thermal protection						
Mounting B34R(D)						
			HYBRISUSER			00
ECM	LOC	SUMMARY OF MODIFICATIONS	EXECUTED	CHECKED	RELEASED	DATE VER
EXECUTED	HYBRISUSER	THREE PH. MOTOR JM/JP/JET PUMP NEMA PREM. EFF.				<b>PREVIEW</b> WDD   00
CHECKED		FRAME E143/5JM IP21 ODP				
RELEASED						
REL. DATE		WMO Jaragua do Sul	Product Engineering	SHEET	1 / 1	

2 HP 02 Poles 60 Hz

A



XME A3