

DATA SHEET

Three Phase Induction Motor - Squirrel Cage



Customer	:		
Product line	: JM Pump NEMA Premium Efficiency Three-Phase	Product code :	13125974
Frame	: 143/5JM	Cooling method	: IC411 - TEFC
Insulation class	: F	Mounting	: F-1
Duty cycle	: Cont.(S1)	Rotation ¹	: Both (CW and CCW)
Ambient temperature	: -20°C to +40°C	Starting method	: Direct On Line
Altitude	: 1000 m.a.s.l.	Approx. weight ²	: 20.5 kg
Protection degree	: IP55	Moment of inertia (J)	: 0.0055 kgm ²
Design	: B		
Output [HP]	2	2	2
Poles	4	4	4
Frequency [Hz]	60	50	50
Rated voltage [V]	230/460	190/380	220/415
Rated current [A]	5.44/2.72	6.50/3.25	5.89/3.12
L. R. Amperes [A]	44.6/22.3	39.0/19.5	39.4/20.9
LRC [A]	8.2x(Code K)	6.0x(Code H)	6.7x(Code J)
No load current [A]	2.80/1.40	2.75/1.37	2.87/1.52
Rated speed [RPM]	1745	1415	1425
Slip [%]	3.06	5.67	5.00
Rated torque [kgfm]	0.832	1.03	1.02
Locked rotor torque [%]	270	210	240
Breakdown torque [%]	300	240	270
Service factor		1.00	1.00
Temperature rise	80 K	105 K	105 K
Locked rotor time	27s (cold) 15s (hot)	0s (cold) 0s (hot)	0s (cold) 0s (hot)
Noise level ²	52.0 dB(A)	49.0 dB(A)	49.0 dB(A)
Efficiency (%)	25%	86.0	86.0
	50%	85.5	85.4
	75%	87.5	84.9
	100%	86.5	83.6
Power Factor	25%	0.35	0.38
	50%	0.60	0.64
	75%	0.73	0.76
	100%	0.80	0.83
Bearing type	: <u>Drive end</u> 6206 ZZ <u>Non drive end</u> 6203 ZZ	Foundation loads	
Sealing	: V'Ring Without Bearing Seal	Max. traction	: 68 kgf
		Max. compression	: 88 kgf
Lubrication interval	: -		
Lubricant amount	: -		
Lubricant type	: Mobil Polyrex EM		
Notes USABLE @208V 6.02A SF 1.00 SFA 6.02A			
This revision replaces and cancel the previous one, which must be eliminated. (1) Looking the motor from the shaft end. (2) Measured at 1m and with tolerance of +3dB(A). (3) Approximate weight subject to changes after manufacturing process. (4) At 100% of full load.		These are average values based on tests with sinusoidal power supply, subject to the tolerances stipulated in NEMA MG-1.	
Rev.	Changes Summary	Performed	Checked
Performed by			
Checked by			
Date	16/05/2022		
		Page	Revision
		1 / 4	

LOAD PERFORMANCE CURVE

Three Phase Induction Motor - Squirrel Cage

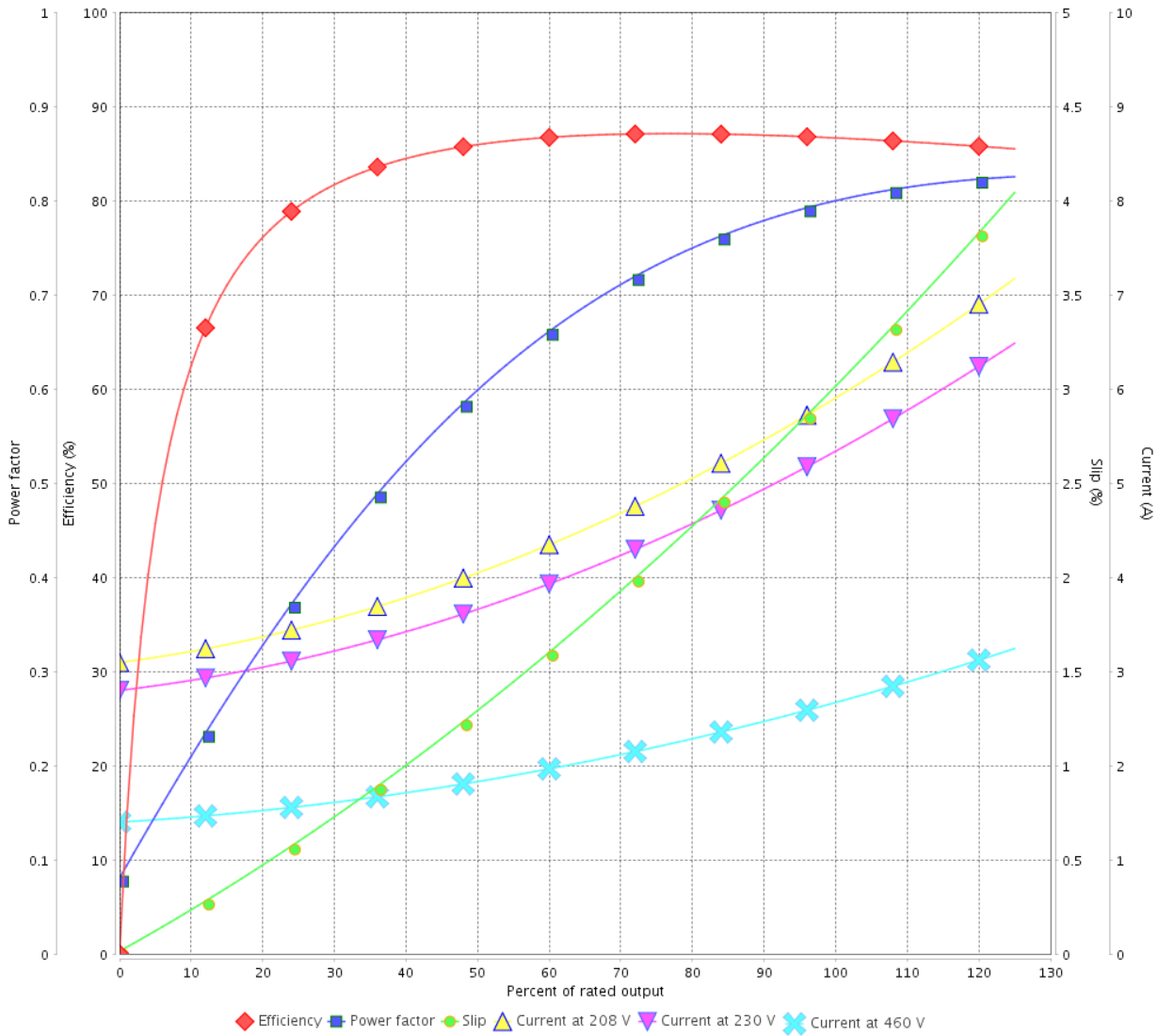


Customer :

Product line : JM Pump NEMA Premium
Efficiency Three-Phase

Product code : 13125974

LOAD PERFORMANCE CURVE



Performance : 230/460 V 60 Hz 4P

Rated current : 5.44/2.72 A
LRC : 8.2
Rated torque : 0.832 kgfm
Locked rotor torque : 270 %
Breakdown torque : 300 %
Rated speed : 1745 rpm

Moment of inertia (J) : 0.0055 kgm²
Duty cycle : Cont.(S1)
Insulation class : F
Service factor :
Temperature rise : 80 K
Design : B

Rev.	Changes Summary	Performed	Checked	Date
Performed by			Page	Revision
Checked by				
Date				

LOAD PERFORMANCE CURVE

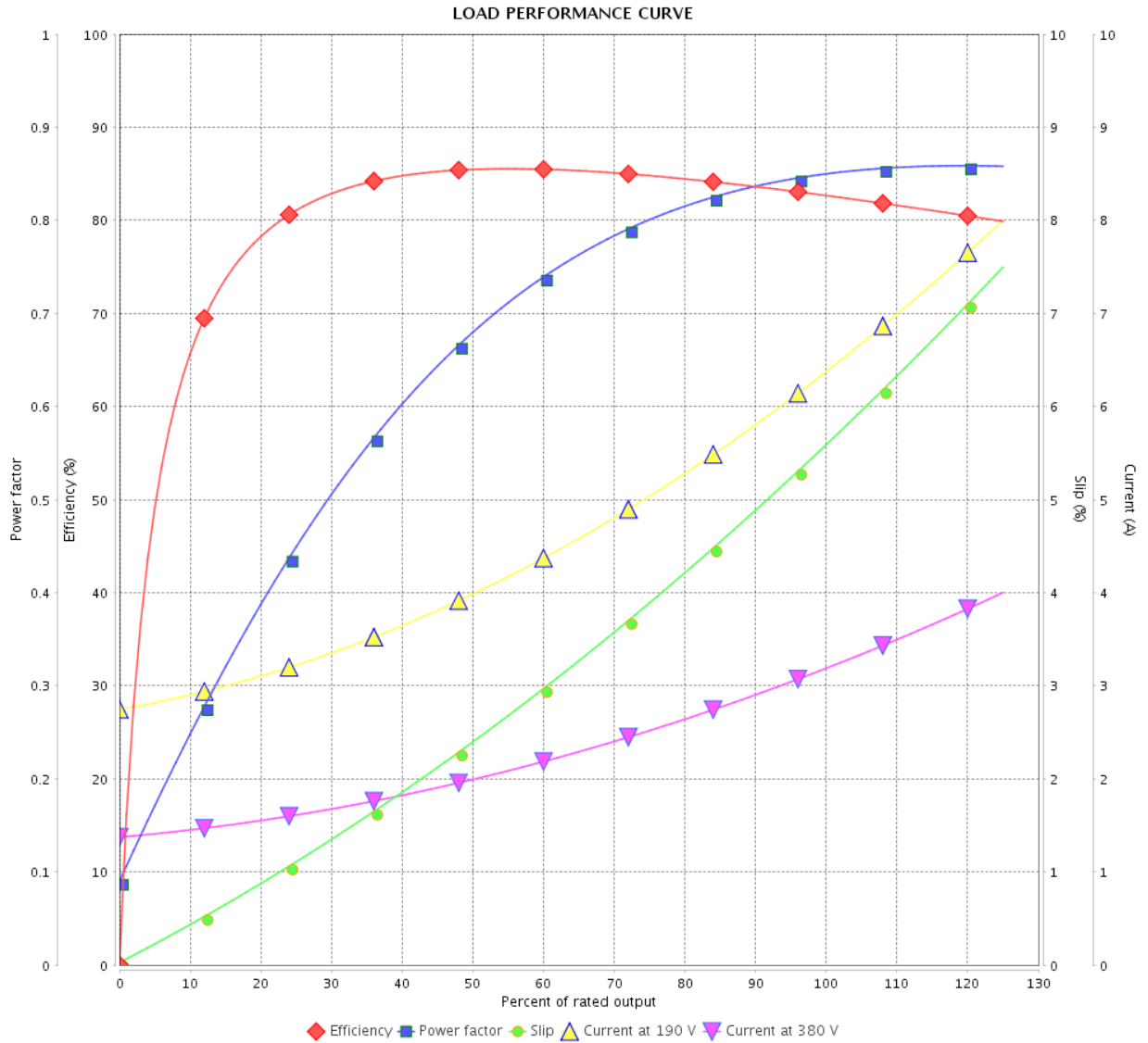
Three Phase Induction Motor - Squirrel Cage



Customer : _____

Product line : JM Pump NEMA Premium
Efficiency Three-Phase

Product code : 13125974



Performance : 190/380 V 50 Hz 4P

Rated current : 6.50/3.25 A
 LRC : 6.0
 Rated torque : 1.03 kgfm
 Locked rotor torque : 210 %
 Breakdown torque : 240 %
 Rated speed : 1415 rpm

Moment of inertia (J) : 0.0055 kgm²
 Duty cycle : Cont.(S1)
 Insulation class : F
 Service factor : 1.00
 Temperature rise : 105 K
 Design : B

Rev.	Changes Summary	Performed	Checked	Date
Performed by			Page	Revision
Checked by				
Date				

LOAD PERFORMANCE CURVE

Three Phase Induction Motor - Squirrel Cage

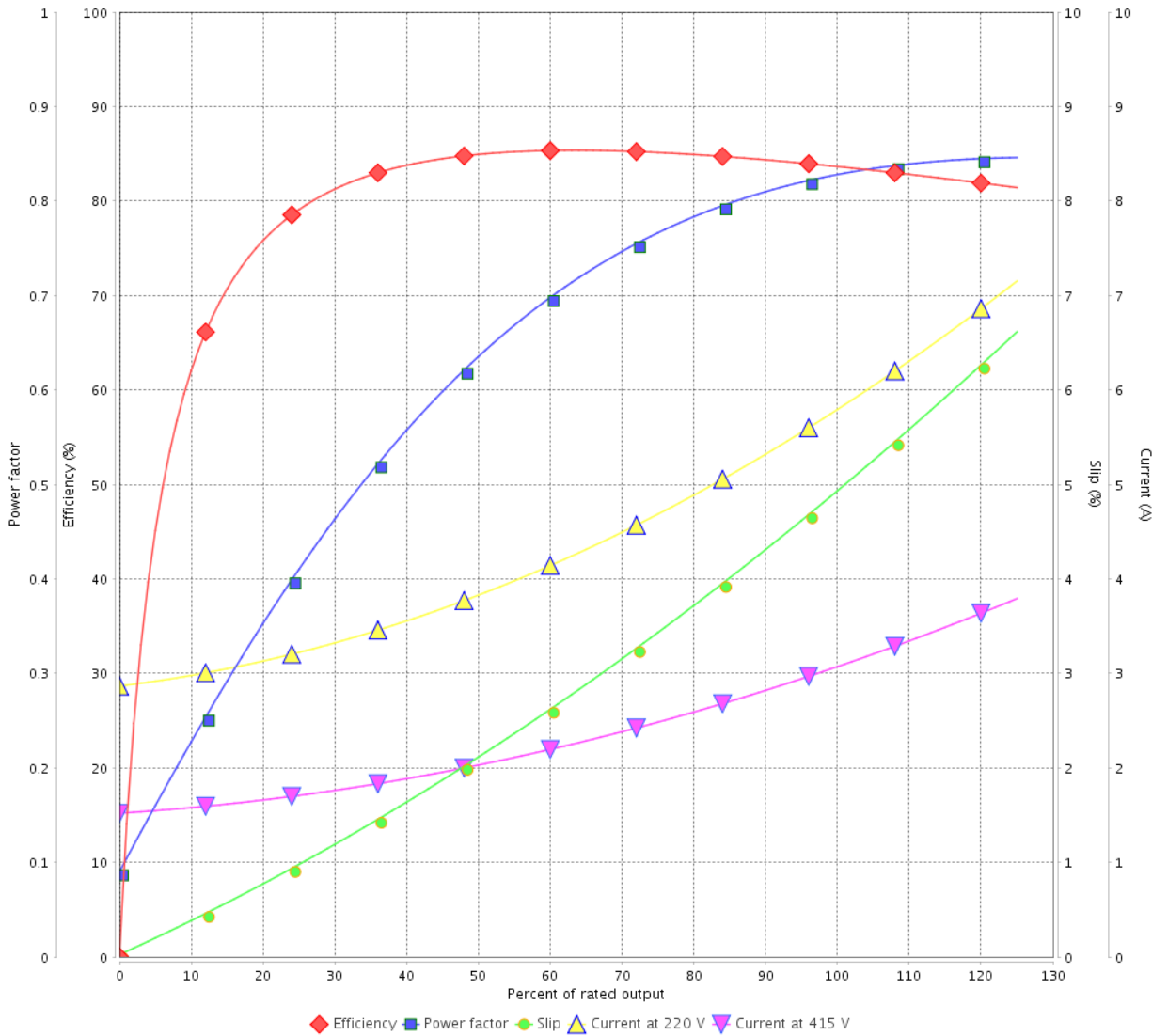


Customer :

Product line : JM Pump NEMA Premium
Efficiency Three-Phase

Product code : 13125974

LOAD PERFORMANCE CURVE

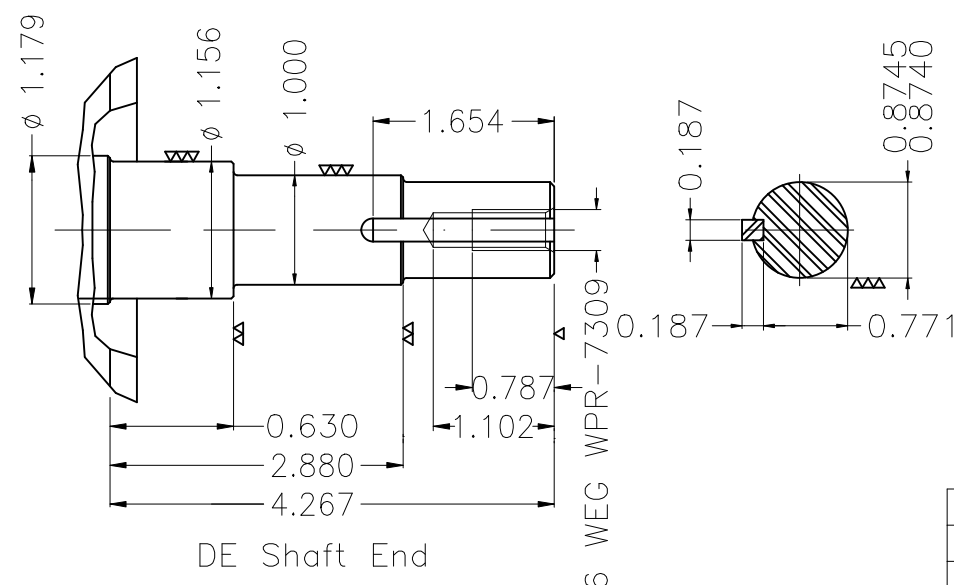
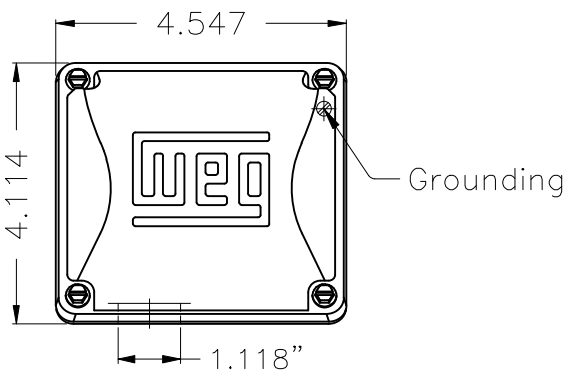
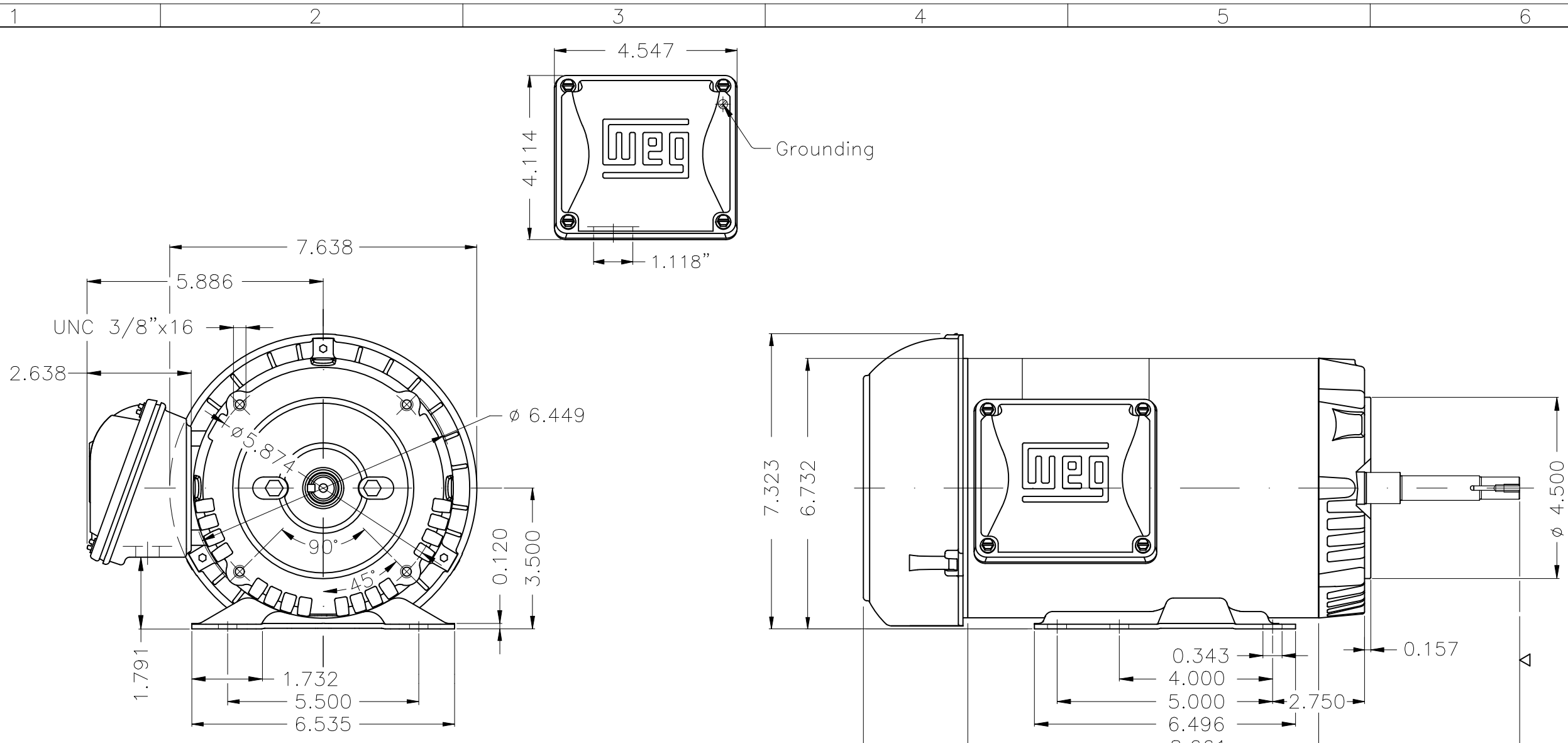


Performance : 220/415 V 50 Hz 4P

Rated current : 5.89/3.12 A
LRC : 6.7
Rated torque : 1.02 kgfm
Locked rotor torque : 240 %
Breakdown torque : 270 %
Rated speed : 1425 rpm

Moment of inertia (J) : 0.0055 kgm²
Duty cycle : Cont.(S1)
Insulation class : F
Service factor : 1.00
Temperature rise : 105 K
Design : B

Rev.	Changes Summary	Performed	Checked	Date
Performed by			Page	Revision
Checked by				
Date				



EUNC 3/8"-16 WEG WPR-7309

Color Munsell N 1 matte black					
Painting plan 207N					
Mounting B34D					
				HYBRISUSER	00
ECM	LOC	SUMMARY OF MODIFICATIONS	EXECUTED	CHECKED	RELEASED
EXECUTED	HYBRISUSER	THREE PH. MOTOR ROLLED STEEL JM NEMA PREM. EFF.			
CHECKED		FRAME 143/5JM IP55 TEFC			
RELEASED					
REL. DATE		WMO Jaragua do Sul	Product Engineering	WDD	00
			SHEET	1 / 1	

2 HP 04 Poles 60 Hz

