

DATA SHEET

Three Phase Induction Motor - Squirrel Cage



Customer :				
Product line	: JM Pump NEMA Premium Efficiency Three-Phase	Product code :	12676963	
Frame	: 143/5JM	Cooling method	: IC01 - ODP	
Insulation class	: F	Mounting	: F-1	
Duty cycle	: Cont.(S1)	Rotation ¹	: Both (CW and CCW)	
Ambient temperature	: -20°C to +40°C	Starting method	: Direct On Line	
Altitude	: 1000 m.a.s.l.	Approx. weight ²	: 18.8 kg	
Design	: B	Moment of inertia (J)	: 0.0049 kgm ²	
Output [HP]	2	2	2	
Poles	4	4	4	
Frequency [Hz]	60	50	50	
Rated voltage [V]	230/460	190/380	220/415	
Rated current [A]	5.38/2.69	6.52/3.26	5.90/3.13	
L. R. Amperes [A]	41.4/20.7	36.5/18.3	36.6/19.4	
LRC [A]	7.7x(Code K)	5.6x(Code G)	6.2x(Code H)	
No load current [A]	2.75/1.38	2.70/1.35	2.82/1.49	
Rated speed [RPM]	1740	1410	1420	
Slip [%]	3.33	6.00	5.33	
Rated torque [kgfm]	0.834	1.03	1.02	
Locked rotor torque [%]	260	200	220	
Breakdown torque [%]	320	229	260	
Service factor		1.00	1.00	
Temperature rise	80 K	105 K	80 K	
Locked rotor time	30s (cold) 17s (hot)	0s (cold) 0s (hot)	0s (cold) 0s (hot)	
Noise level ²	52.0 dB(A)	49.0 dB(A)	49.0 dB(A)	
Efficiency (%)	25%	85.2	88.2	86.4
	50%	85.5	85.9	85.2
	75%	86.5	85.0	85.2
	100%	86.5	82.2	83.4
Power Factor	25%	0.36	0.42	0.38
	50%	0.61	0.69	0.64
	75%	0.74	0.80	0.77
	100%	0.81	0.85	0.83
Bearing type	: Drive end 6206 ZZ Non drive end 6203 ZZ	Foundation loads		
Sealing	: Without Without Bearing Seal Bearing Seal	Max. traction	: 66 kgf	
		Max. compression	: 85 kgf	
Lubrication interval	: - -			
Lubricant amount	: - -			
Lubricant type	: Mobil Polyrex EM			
Notes USABLE @208V 5.95A SF 1.00 SFA 5.95A				
This revision replaces and cancel the previous one, which must be eliminated. (1) Looking the motor from the shaft end. (2) Measured at 1m and with tolerance of +3dB(A). (3) Approximate weight subject to changes after manufacturing process. (4) At 100% of full load.		These are average values based on tests with sinusoidal power supply, subject to the tolerances stipulated in NEMA MG-1.		
Rev.	Changes Summary	Performed	Checked	Date
Performed by				
Checked by			Page	Revision
Date	16/05/2022		1 / 4	

LOAD PERFORMANCE CURVE

Three Phase Induction Motor - Squirrel Cage

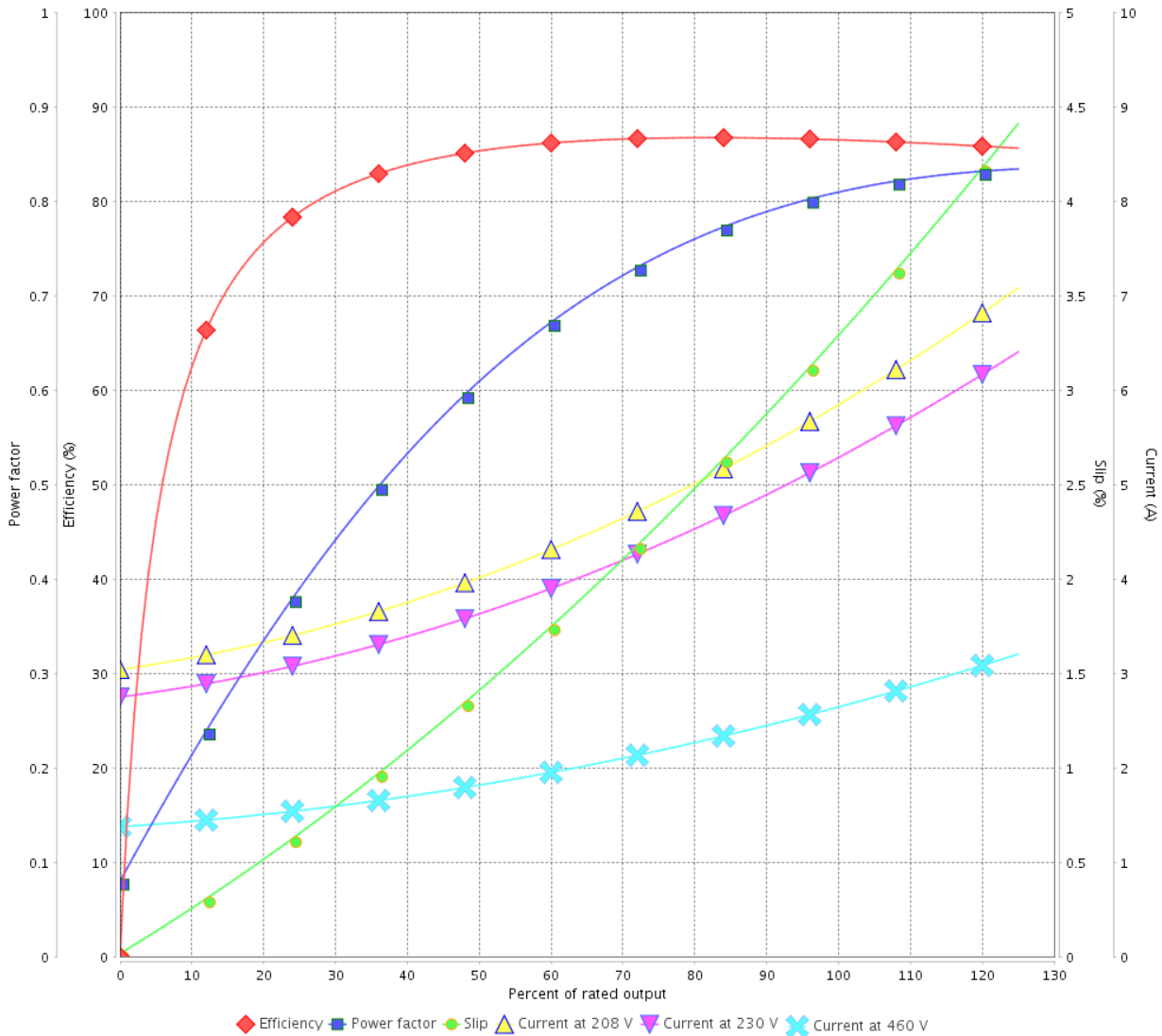


Customer :

Product line : JM Pump NEMA Premium
Efficiency Three-Phase

Product code : 12676963

LOAD PERFORMANCE CURVE



Performance : 230/460 V 60 Hz 4P

Rated current : 5.38/2.69 A
 LRC : 7.7
 Rated torque : 0.834 kgfm
 Locked rotor torque : 260 %
 Breakdown torque : 320 %
 Rated speed : 1740 rpm

Moment of inertia (J) : 0.0049 kgm²
 Duty cycle : Cont.(S1)
 Insulation class : F
 Service factor :
 Temperature rise : 80 K
 Design : B

Rev.	Changes Summary	Performed	Checked	Date
Performed by			Page	Revision
Checked by				
Date				

LOAD PERFORMANCE CURVE

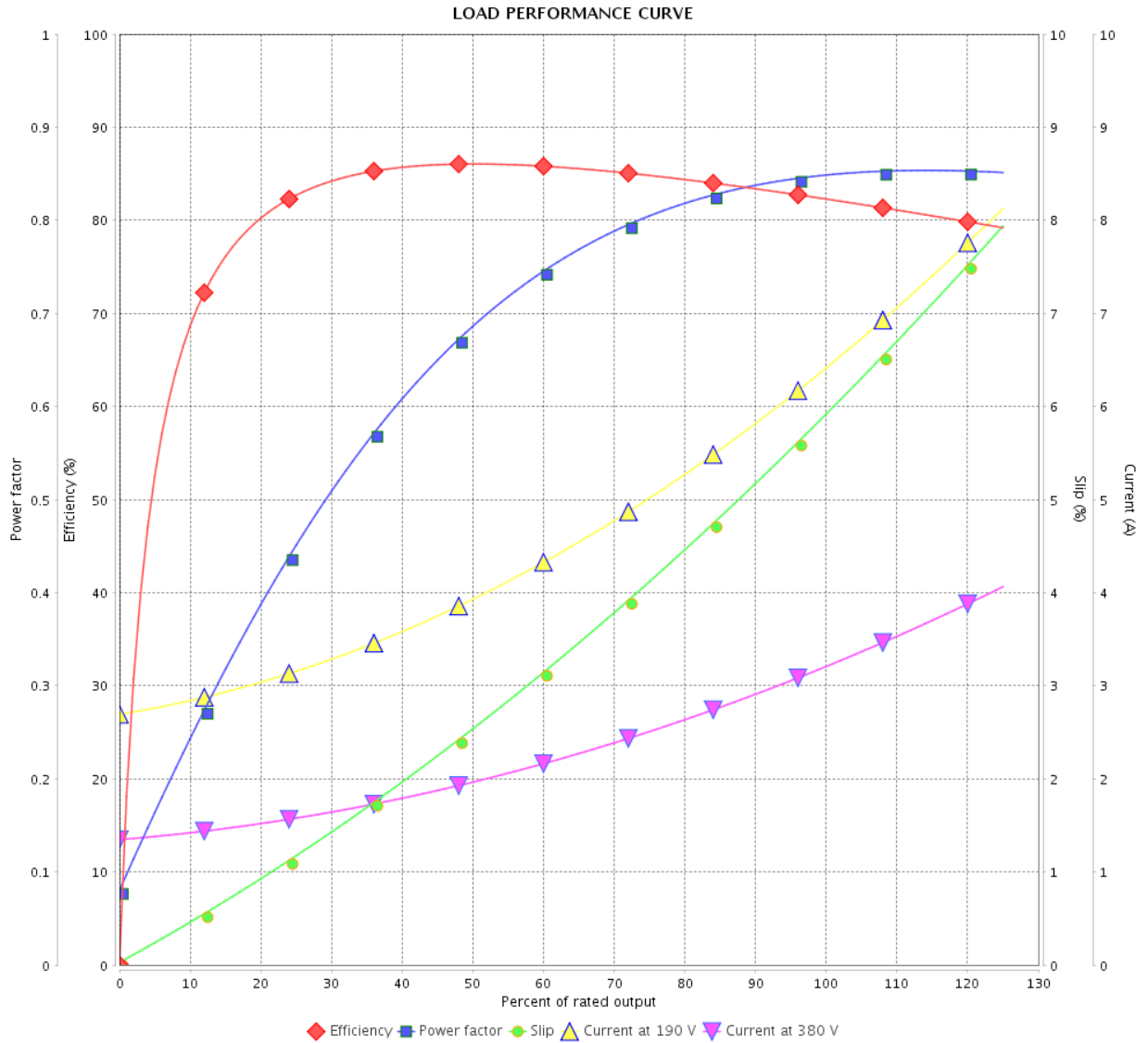
Three Phase Induction Motor - Squirrel Cage



Customer : _____

Product line : JM Pump NEMA Premium
Efficiency Three-Phase

Product code : 12676963



Performance : 190/380 V 50 Hz 4P

Rated current : 6.52/3.26 A
 LRC : 5.6
 Rated torque : 1.03 kgfm
 Locked rotor torque : 200 %
 Breakdown torque : 229 %
 Rated speed : 1410 rpm

Moment of inertia (J) : 0.0049 kgm²
 Duty cycle : Cont.(S1)
 Insulation class : F
 Service factor : 1.00
 Temperature rise : 105 K
 Design : B

Rev.	Changes Summary	Performed	Checked	Date
Performed by			Page 3 / 4	Revision
Checked by				
Date	16/05/2022			

LOAD PERFORMANCE CURVE

Three Phase Induction Motor - Squirrel Cage

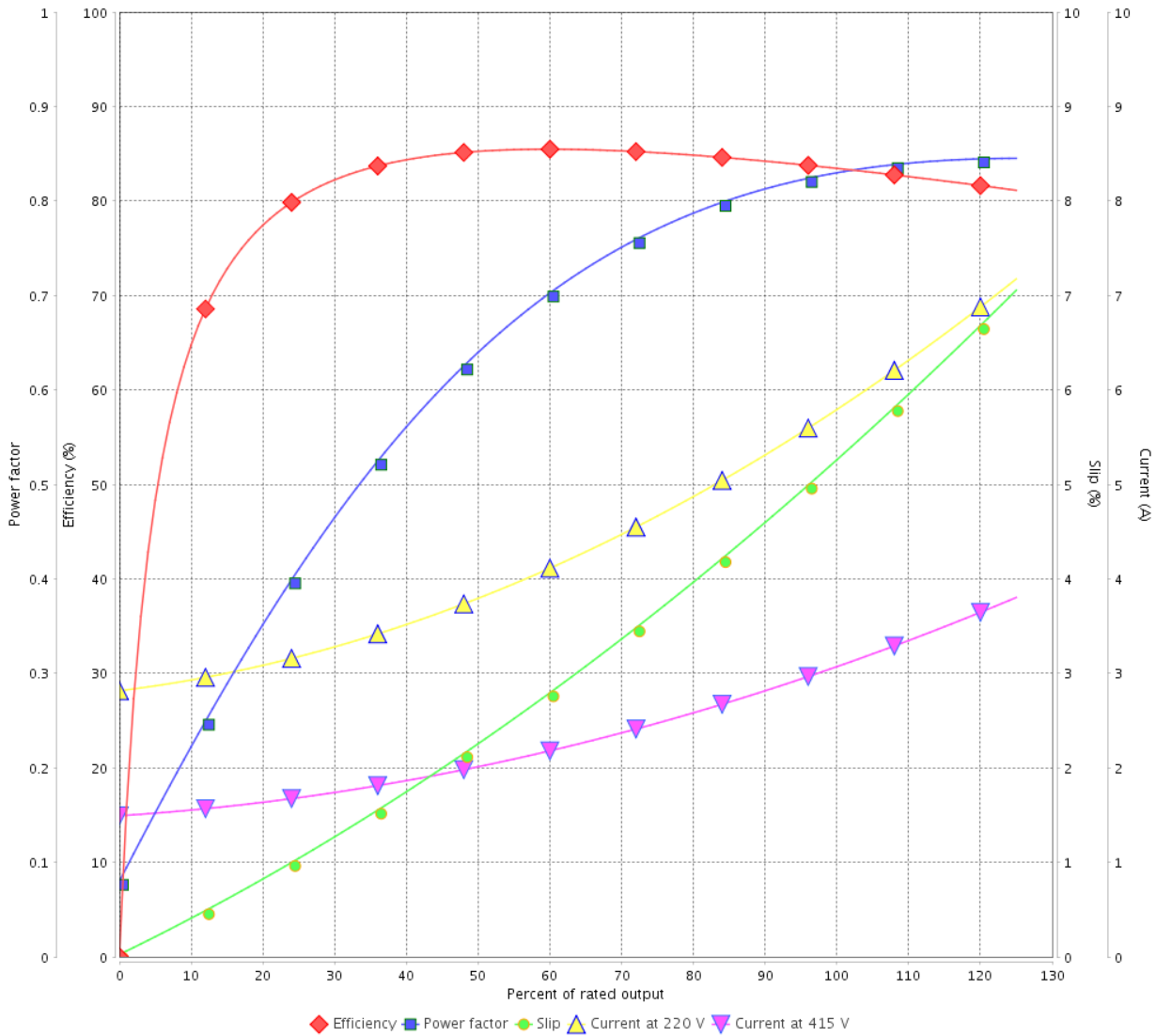


Customer :

Product line : JM Pump NEMA Premium
Efficiency Three-Phase

Product code : 12676963

LOAD PERFORMANCE CURVE



Performance : 220/415 V 50 Hz 4P

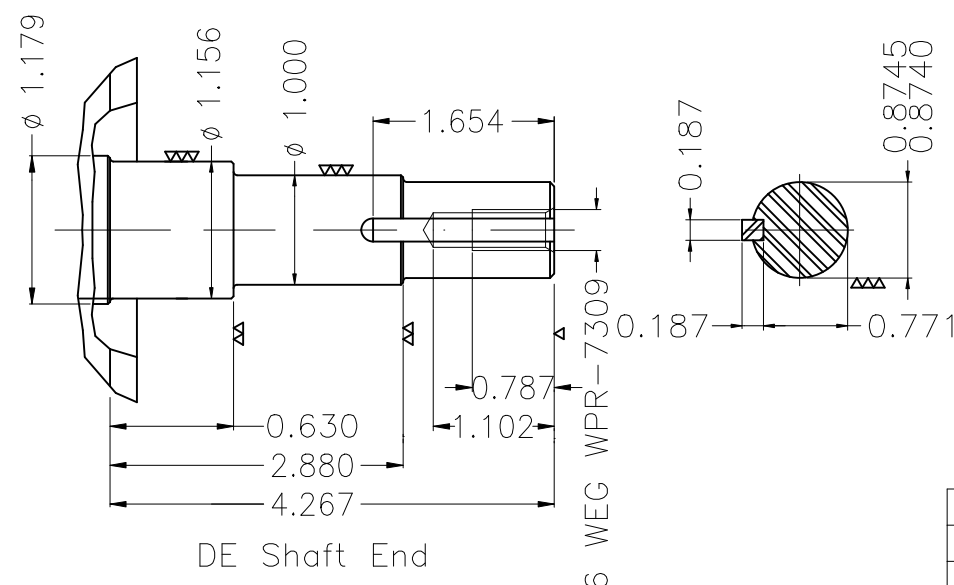
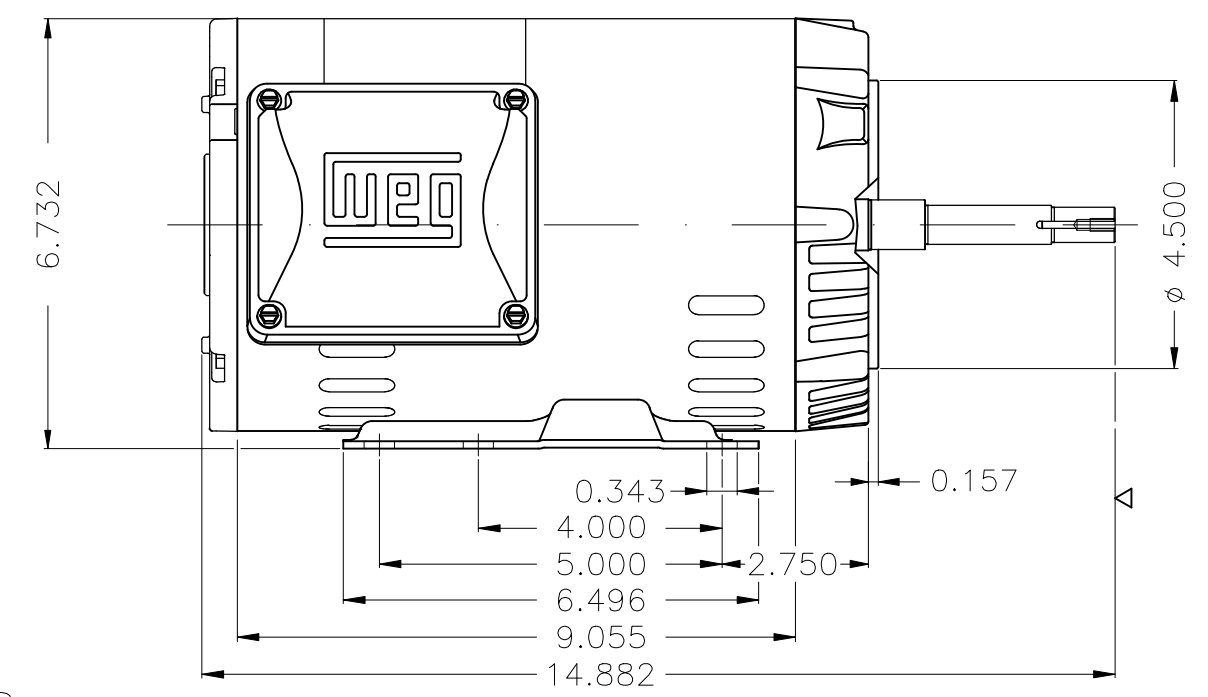
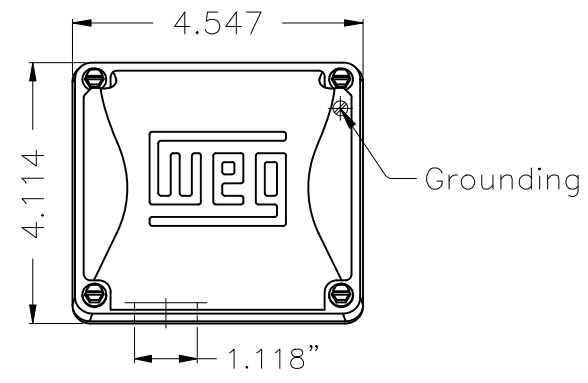
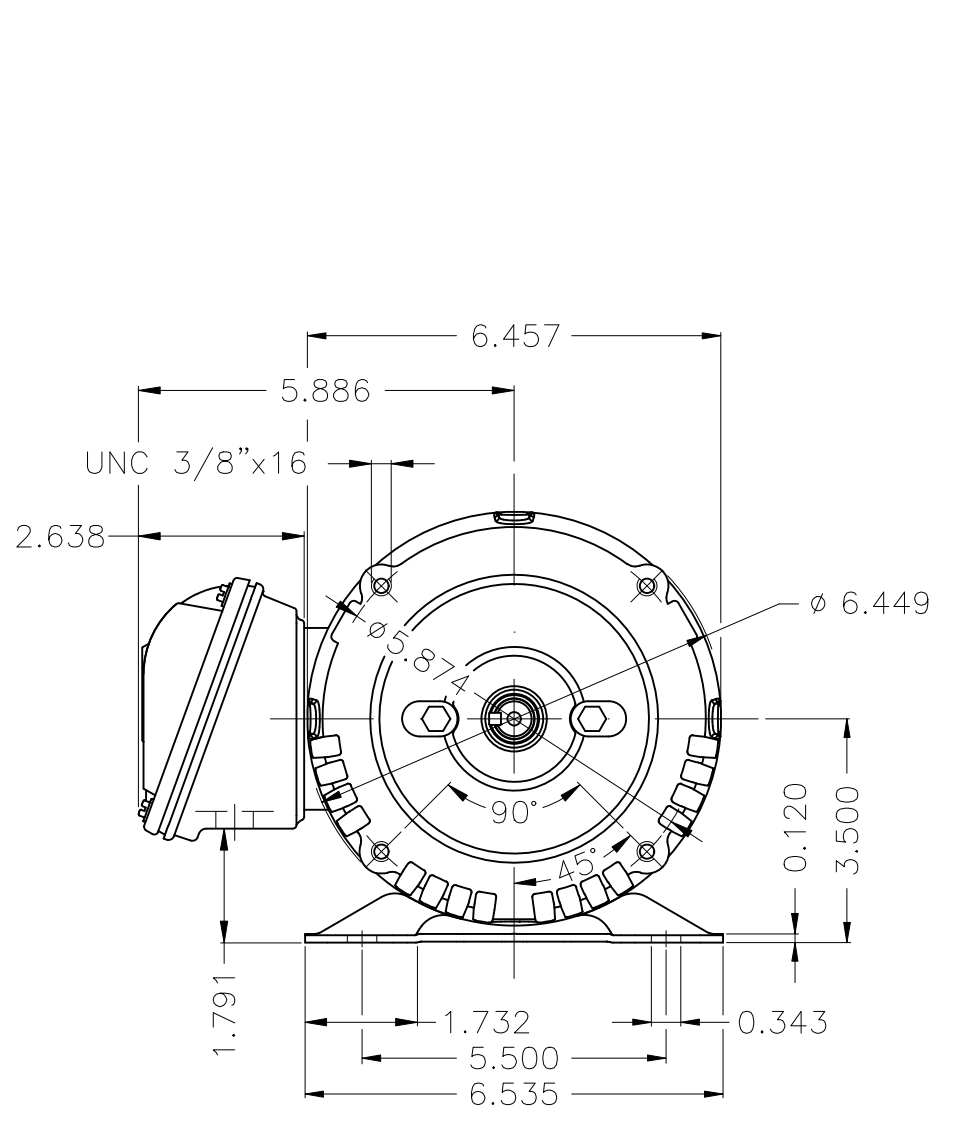
Rated current : 5.90/3.13 A
LRC : 6.2
Rated torque : 1.02 kgfm
Locked rotor torque : 220 %
Breakdown torque : 260 %
Rated speed : 1420 rpm

Moment of inertia (J) : 0.0049 kgm²
Duty cycle : Cont.(S1)
Insulation class : F
Service factor : 1.00
Temperature rise : 80 K
Design : B

Rev.	Changes Summary	Performed	Checked	Date
Performed by			Page	Revision
Checked by				
Date				

1 2 3 4 5 6

A
B
C
D
E



EUNC 3/8"-16 WEG WPR-7309

DE Shaft End

Color Munsell N 1 matte black
 Painting plan 207N
 Mounting B34D

ECM	LOC	SUMMARY OF MODIFICATIONS	EXECUTED	CHECKED	RELEASED	DATE	VER
EXECUTED	HYBRISUSER	THREE PH. MOTOR ROLLED STEEL JM NEMA PREM. EFF. FRAME 143/5JM IP21 ODP					00
CHECKED							
RELEASED							
REL. DATE	WMO	Jaragua do Sul	Product Engineering	WDD	00	1 / 1	

2 HP 04 Poles 60 Hz

A



Dimensions in inches XME A3