

DATA SHEET

Three Phase Induction Motor - Squirrel Cage



Customer :

Product line : Close Coupled Pump NEMA Premium Efficiency Three-Phase Product code : 11168259

Frame	: E143/5JM	Locked rotor time	: 27s (cold) 15s (hot)
Output	: 2 HP (1.5 kW)	Temperature rise	: 80 K
Poles	: 4	Duty cycle	: Cont.(S1)
Frequency	: 60 Hz	Ambient temperature	: -20°C to +40°C
Rated voltage	: 230/460 V	Altitude	: 1000 m.a.s.l.
Rated current	: 5.80/2.90 A	Protection degree	: IP21
L. R. Amperes	: 47.6/23.8 A	Cooling method	: IC01 - ODP
LRC	: 8.2x(Code L)	Mounting	: F-1
No load current	: 3.20/1.60 A	Rotation ¹	: Both (CW and CCW)
Rated speed	: 1730 rpm	Noise level ²	: 52.0 dB(A)
Slip	: 3.89 %	Starting method	: Direct On Line
Rated torque	: 0.839 kgfm	Approx. weight ³	: 21.2 kg
Locked rotor torque	: 350 %		
Breakdown torque	: 330 %		
Insulation class	: F		
Service factor	: 1.15		
Moment of inertia (J)	: 0.0067 kgm ²		
Design	: B		

Output	50%	75%	100%	Foundation loads	
Efficiency (%)	82.5	85.5	86.5	Max. traction	: 68 kgf
Power Factor	0.58	0.70	0.78	Max. compression	: 89 kgf

	Drive end	Non drive end
Bearing type	: 6206 ZZ	6204 ZZ
Sealing	: Without Bearing Seal	Without Bearing Seal
Lubrication interval	: -	-
Lubricant amount	: -	-
Lubricant type	: Mobil Polyrex EM	

Notes
USABLE @208V 5.95A SF 1.00 SFA 5.95A

This revision replaces and cancel the previous one, which must be eliminated.

- (1) Looking the motor from the shaft end.
- (2) Measured at 1m and with tolerance of +3dB(A).
- (3) Approximate weight subject to changes after manufacturing process.
- (4) At 100% of full load.

These are average values based on tests with sinusoidal power supply, subject to the tolerances stipulated in NEMA MG-1.

Rev.	Changes Summary	Performed	Checked	Date
Performed by				
Checked by			Page	Revision
Date	23/10/2024		1 / 2	

LOAD PERFORMANCE CURVE

Three Phase Induction Motor - Squirrel Cage

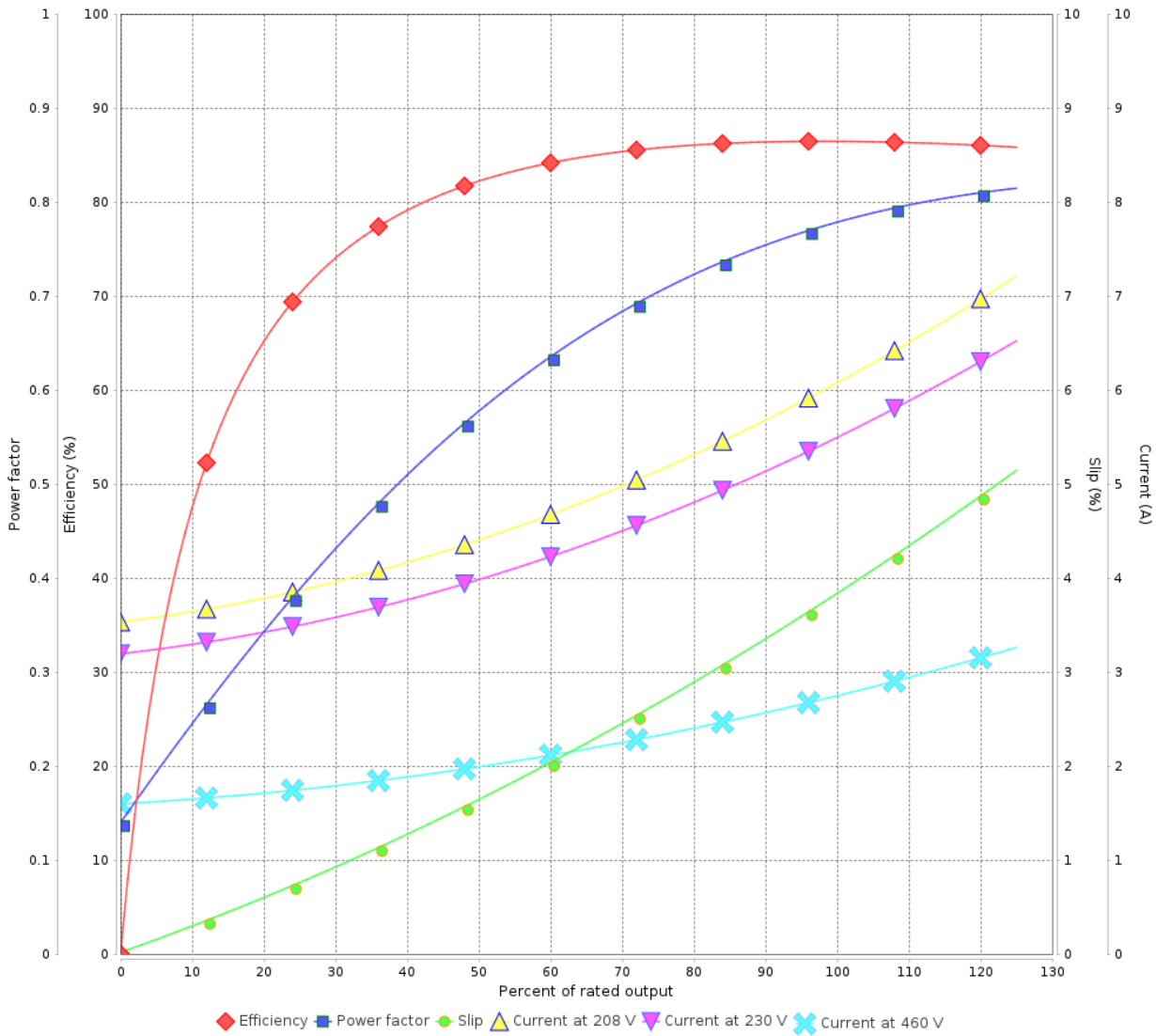


Customer :

Product line : Close Coupled Pump NEMA
Premium Efficiency Three-Phase

Product code : 11168259

LOAD PERFORMANCE CURVE

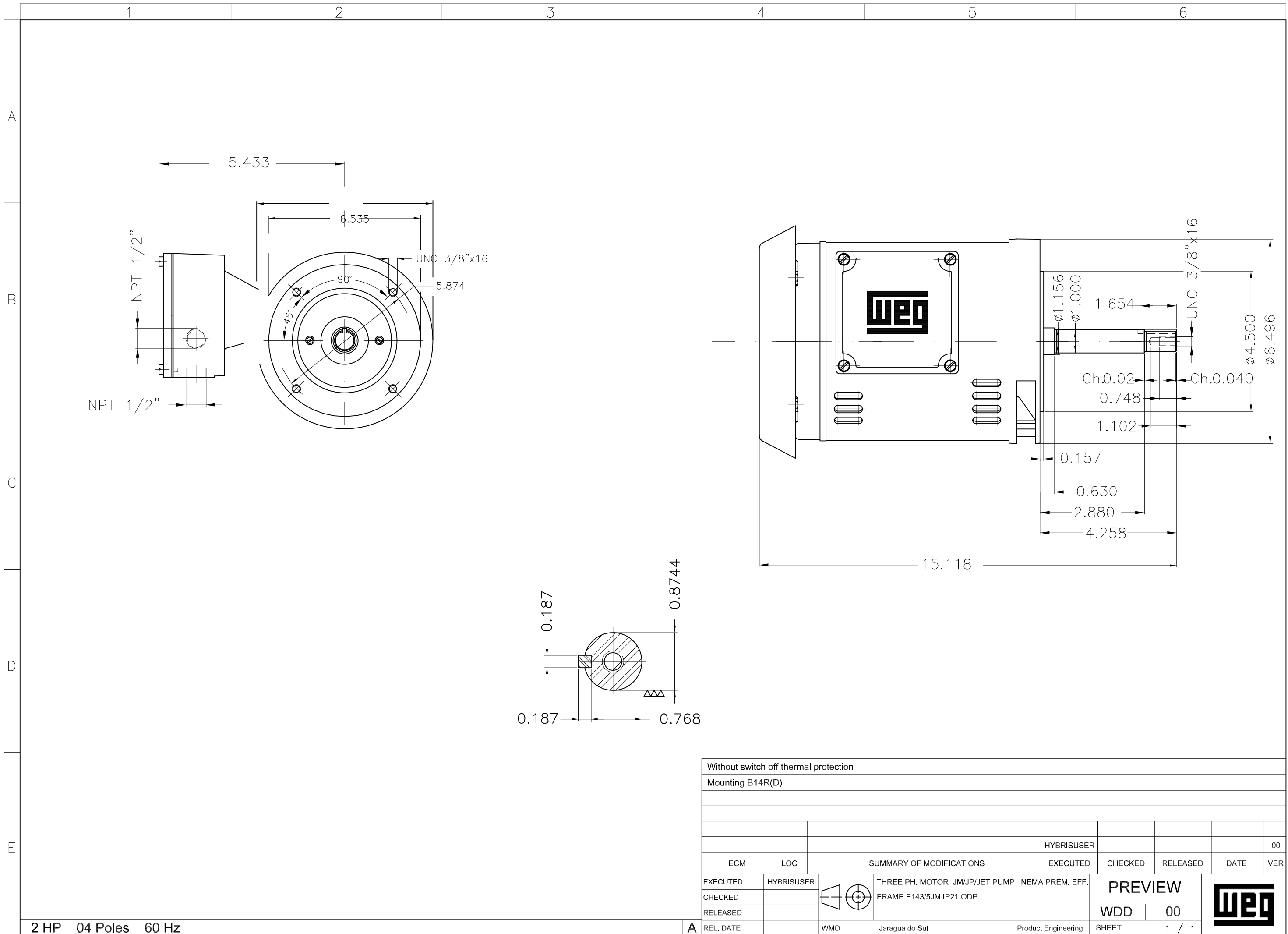


Performance : 230/460 V 60 Hz 4P

Rated current : 5.80/2.90 A
 LRC : 8.2
 Rated torque : 0.839 kgfm
 Locked rotor torque : 350 %
 Breakdown torque : 330 %
 Rated speed : 1730 rpm

Moment of inertia (J) : 0.0067 kgm²
 Duty cycle : Cont.(S1)
 Insulation class : F
 Service factor :
 Temperature rise : 80 K
 Design : B

Rev.	Changes Summary	Performed	Checked	Date
Performed by			Page 2 / 2	Revision
Checked by				
Date	23/10/2024			



2 HP 04 Poles 60 Hz

A

Without switch off thermal protection						
Mounting B14R(D)						
					HYBRISUSER	00
ECM	LOC	SUMMARY OF MODIFICATIONS		EXECUTED	CHECKED	RELEASED
EXECUTED	HYBRISUSER	THREE PH. MOTOR JM/JP/JET PUMP NEMA PREM. EFF.				
CHECKED		FRAME E143/5JM IP21 ODP				
RELEASED						
REL. DATE	WMO	Jaragua do Sul	Product Engineering	PREVIEW		WDD 00
				SHEET 1 / 1		