

DATA SHEET



Three Phase Induction Motor - Squirrel Cage

Customer :

Product line : W22 Close Coupled Pump JM Product code : 16385573
 NEMA Premium Efficiency Three-Phase

Frame	: 182/4JM	Locked rotor time	: 28s (cold) 16s (hot)
Output	: 1.5 HP (1.1 kW)	Temperature rise	: 80 K
Poles	: 6	Duty cycle	: Cont.(S1)
Frequency	: 60 Hz	Ambient temperature	: -20°C to +40°C
Rated voltage	: 575 V	Altitude	: 1000 m.a.s.l.
Rated current	: 2.03 A	Protection degree	: IP55
L. R. Amperes	: 15.8 A	Cooling method	: IC411 - TEFC
LRC	: 7.8x(Code M)	Mounting	: F-1
No load current	: 1.30 A	Rotation ¹	: Both (CW and CCW)
Rated speed	: 1170 rpm	Noise level ²	: 52.0 dB(A)
Slip	: 2.50 %	Starting method	: Direct On Line
Rated torque	: 0.930 kgfm	Approx. weight ³	: 42.7 kg
Locked rotor torque	: 320 %		
Breakdown torque	: 400 %		
Insulation class	: F		
Service factor	: 1.25		
Moment of inertia (J)	: 0.0206 kgm ²		
Design	: B		

Output	50%	75%	100%	Foundation loads	
Efficiency (%)	84.0	86.5	87.5	Max. traction	: 56 kgf
Power Factor	0.45	0.54	0.62	Max. compression	: 99 kgf

Losses at normative operating points (speed;torque), in percentage of rated output power

P1 (0,9;1,0)	P2 (0,5;1,0)	P3 (0,25;1,0)	P4 (0,9;0,5)	P5 (0,5;0,5)	P6 (0,5;0,25)	P7 (0,25;0,25)
13.4	10.3	9.3	8.8	5.8	4.8	3.5

		<u>Drive end</u>	<u>Non drive end</u>
Bearing type	:	6307 ZZ	6206 ZZ
Sealing	:	V'Ring	V'Ring
Lubrication interval	:	-	-
Lubricant amount	:	-	-
Lubricant type	:	Mobil Polyrex EM	

Notes

This revision replaces and cancel the previous one, which must be eliminated.

- (1) Looking the motor from the shaft end.
- (2) Measured at 1m and with tolerance of +3dB(A).
- (3) Approximate weight subject to changes after manufacturing process.
- (4) At 100% of full load.

These are average values based on tests with sinusoidal power supply, subject to the tolerances stipulated in NEMA MG-1.

Rev.	Changes Summary	Performed	Checked	Date
Performed by		Page 1 / 2		Revision
Checked by				
Date	23/10/2024			

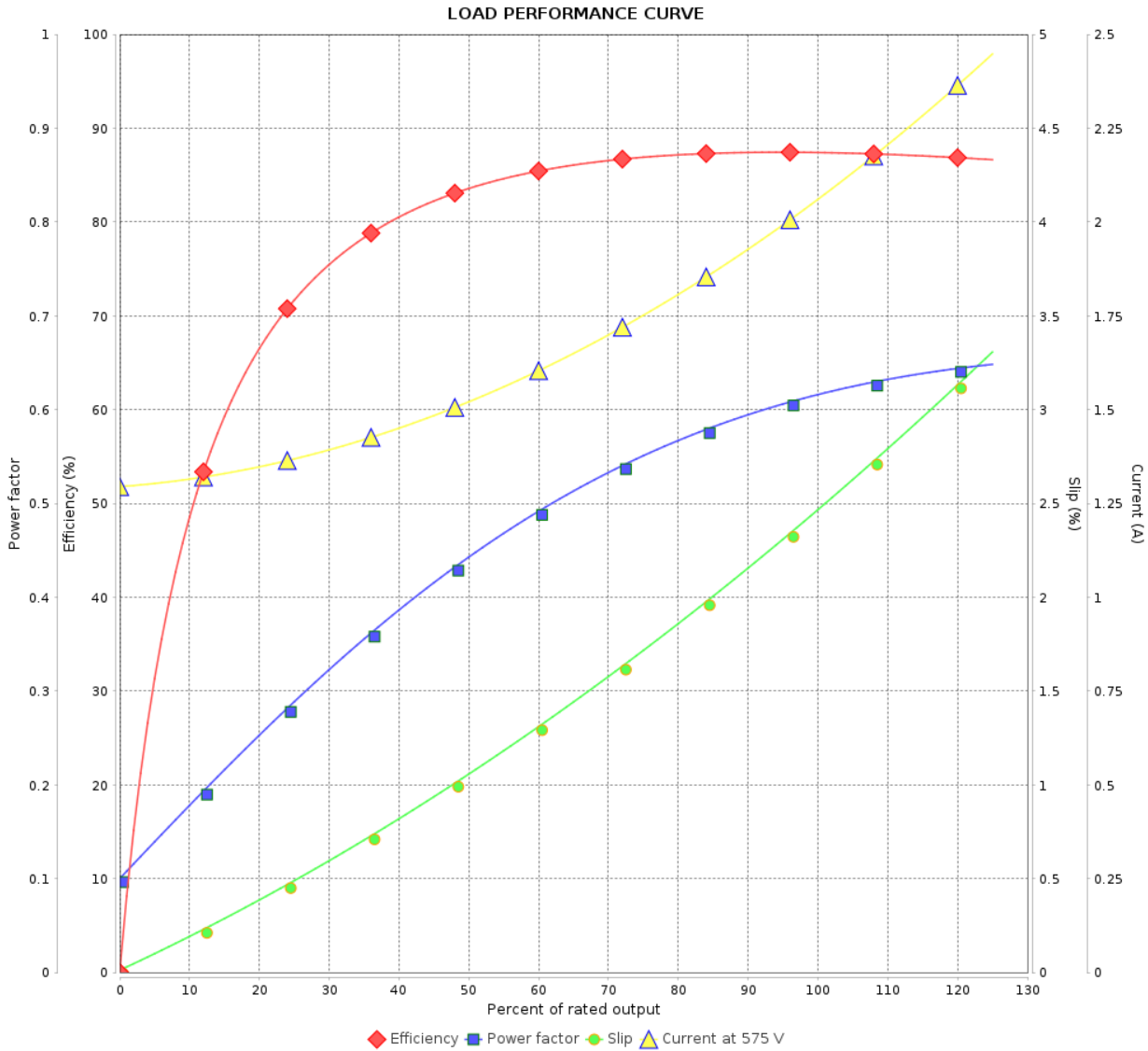
LOAD PERFORMANCE CURVE

Three Phase Induction Motor - Squirrel Cage



Customer :

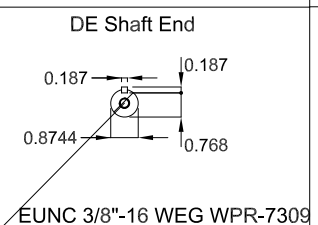
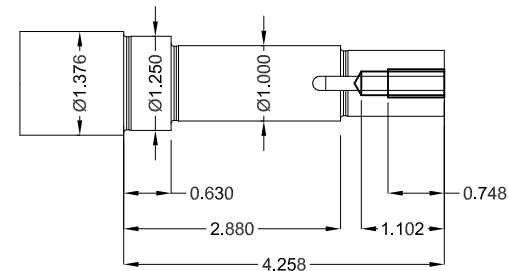
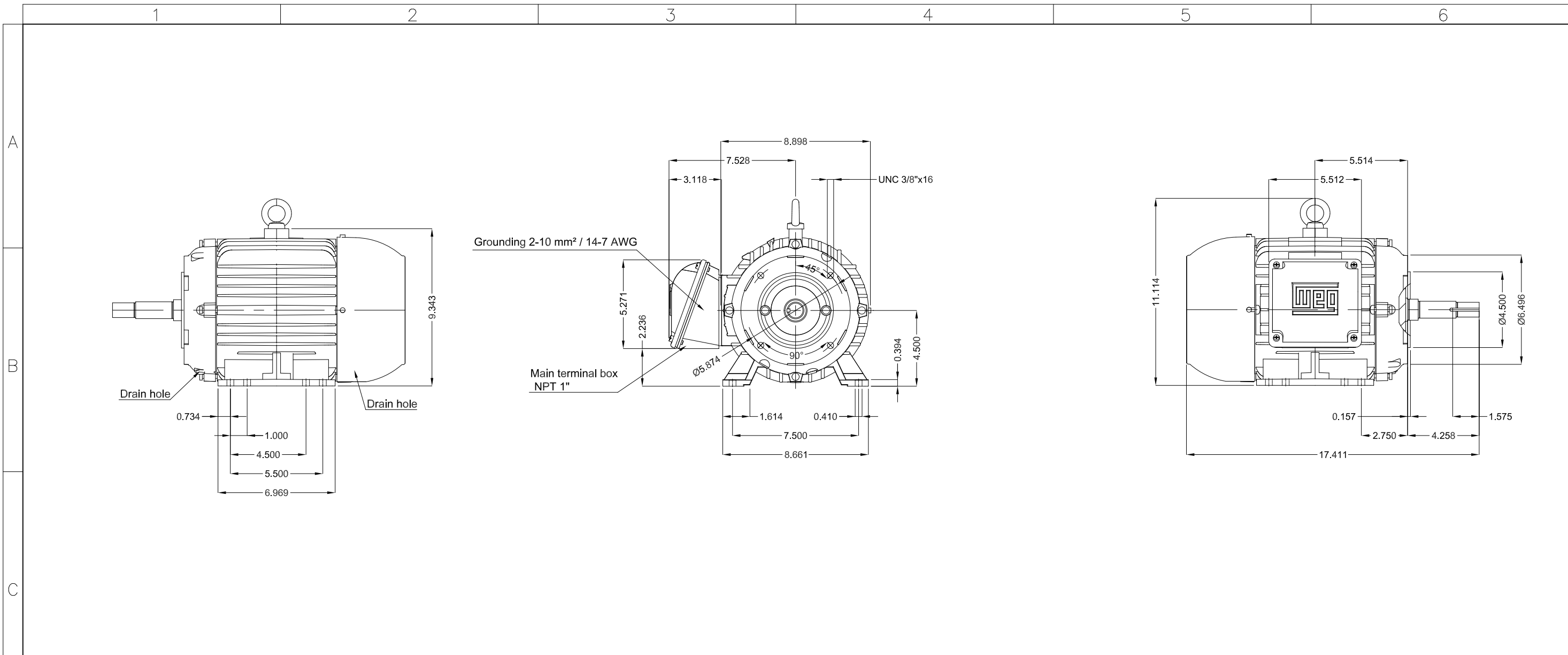
Product line : W22 Close Coupled Pump JM
 NEMA Premium Efficiency Three-Phase
 Product code : 16385573



Performance : 575 V 60 Hz 6P

Rated current : 2.03 A	Moment of inertia (J) : 0.0206 kgm ²
LRC : 7.8	Duty cycle : Cont.(S1)
Rated torque : 0.930 kgfm	Insulation class : F
Locked rotor torque : 320 %	Service factor : 1.25
Breakdown torque : 400 %	Temperature rise : 80 K
Rated speed : 1170 rpm	Design : B

Rev.	Changes Summary	Performed	Checked	Date
Performed by			Page 2 / 2	Revision
Checked by				
Date	23/10/2024			



Color RAL 5009
 Painting plan 207A
 Mounting NEMA F-1
 Mounting B34R(D)

EUNC 3/8"-16 WEG WPR-7309

1.5 HP 06 Poles 60 Hz										A		
ECM	LOC	SUMMARY OF MODIFICATIONS					HYBRISUSER	EXECUTED	CHECKED	RELEASED	DATE	VER
EXECUTED	HYBRISUSER	THREE PH. MOTOR JM/JP/JET PUMP W22 NEMA PREM. EFF. FRAME 182/4JM IP55 TEFC										00
CHECKED												
RELEASED												
REL. DATE												
						PREVIEW		WDD		00		
						SHEET		/				

Dimensions in inches

A3

