

# DATA SHEET



## Three Phase Induction Motor - Squirrel Cage

Customer :

Product line : W22 Close Coupled Pump JM Product code : 11986335  
 NEMA Premium Efficiency Three-Phase

Frame	: 143/5JM	Locked rotor time	: 25s (cold) 14s (hot)
Output	: 1.5 HP (1.1 kW)	Temperature rise	: 80 K
Poles	: 4	Duty cycle	: Cont.(S1)
Frequency	: 60 Hz	Ambient temperature	: -20°C to +40°C
Rated voltage	: 575 V	Altitude	: 1000 m.a.s.l.
Rated current	: 1.62 A	Protection degree	: IP55
L. R. Amperes	: 13.6 A	Cooling method	: IC411 - TEFC
LRC	: 8.4x(Code L)	Mounting	: F-1
No load current	: 0.880 A	Rotation <sup>1</sup>	: Both (CW and CCW)
Rated speed	: 1755 rpm	Noise level <sup>2</sup>	: 51.0 dB(A)
Slip	: 2.50 %	Starting method	: Direct On Line
Rated torque	: 0.620 kgfm	Approx. weight <sup>3</sup>	: 25.2 kg
Locked rotor torque	: 290 %		
Breakdown torque	: 350 %		
Insulation class	: F		
Service factor	: 1.25		
Moment of inertia (J)	: 0.0060 kgm <sup>2</sup>		
Design	: B		

Output	50%	75%	100%	Foundation loads	
Efficiency (%)	82.5	85.5	86.5	Max. traction	: 49 kgf
Power Factor	0.60	0.70	0.79	Max. compression	: 74 kgf

Losses at normative operating points (speed;torque), in percentage of rated output power

P1 (0,9;1,0)	P2 (0,5;1,0)	P3 (0,25;1,0)	P4 (0,9;0,5)	P5 (0,5;0,5)	P6 (0,5;0,25)	P7 (0,25;0,25)
14.6	12.1	12.2	8.2	5.7	4.3	3.2

		<u>Drive end</u>	<u>Non drive end</u>
Bearing type	:	6206 ZZ	6204 ZZ
Sealing	:	V'Ring	V'Ring
Lubrication interval	:	-	-
Lubricant amount	:	-	-
Lubricant type	:	Mobil Polyrex EM	

### Notes

This revision replaces and cancel the previous one, which must be eliminated.

- (1) Looking the motor from the shaft end.
- (2) Measured at 1m and with tolerance of +3dB(A).
- (3) Approximate weight subject to changes after manufacturing process.
- (4) At 100% of full load.

These are average values based on tests with sinusoidal power supply, subject to the tolerances stipulated in NEMA MG-1.

Rev.	Changes Summary		Performed	Checked	Date
Performed by					
Checked by				Page	Revision
Date	23/10/2024			1 / 2	

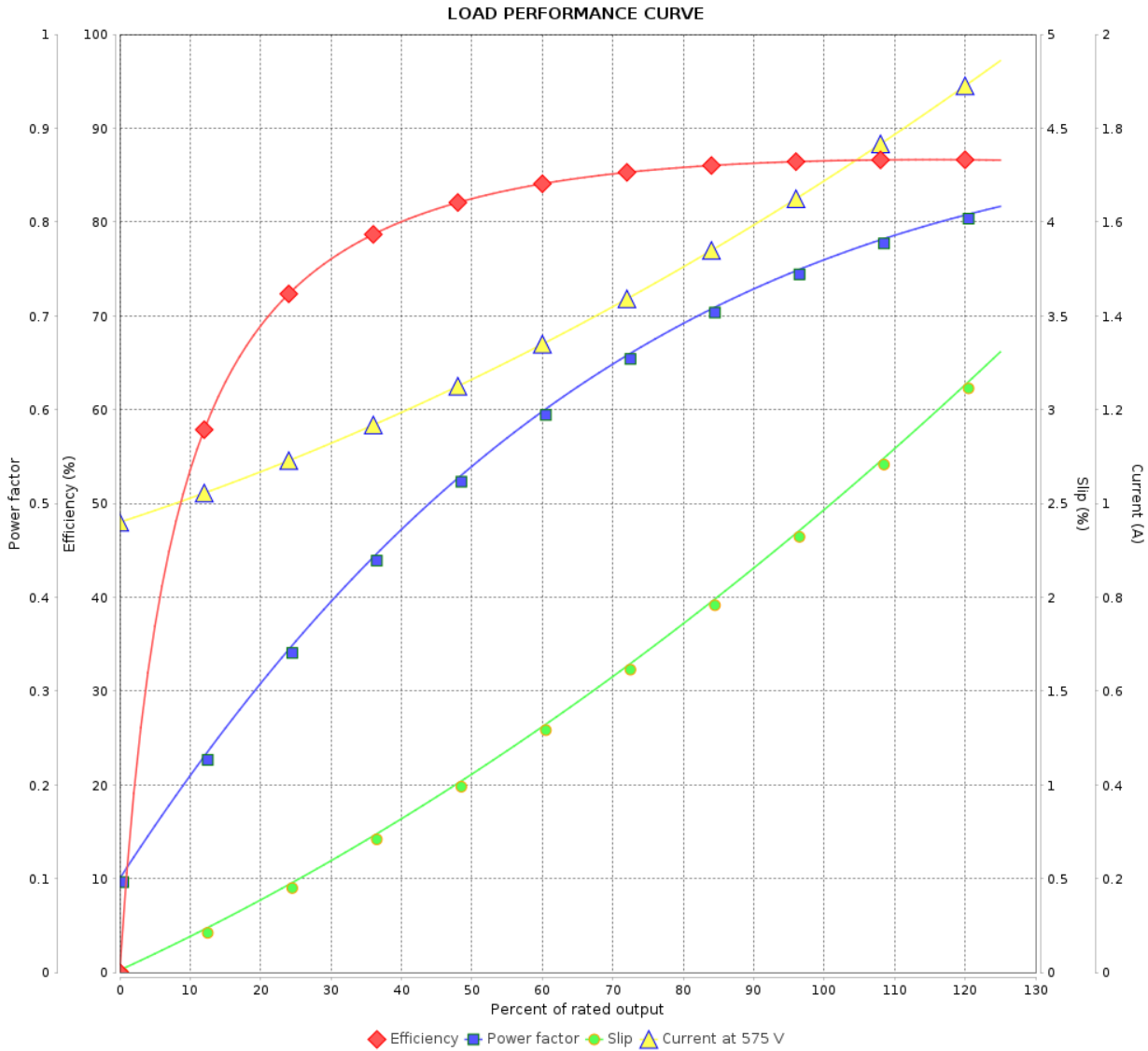
# LOAD PERFORMANCE CURVE

Three Phase Induction Motor - Squirrel Cage



Customer : \_\_\_\_\_

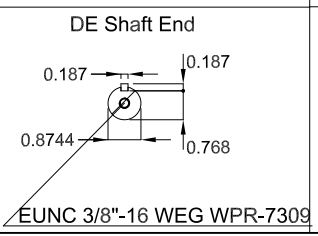
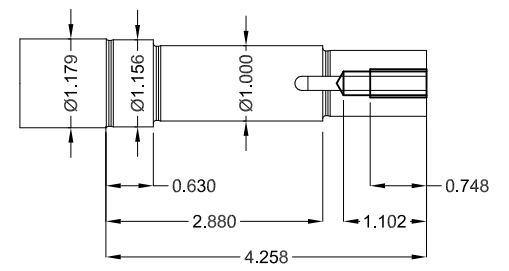
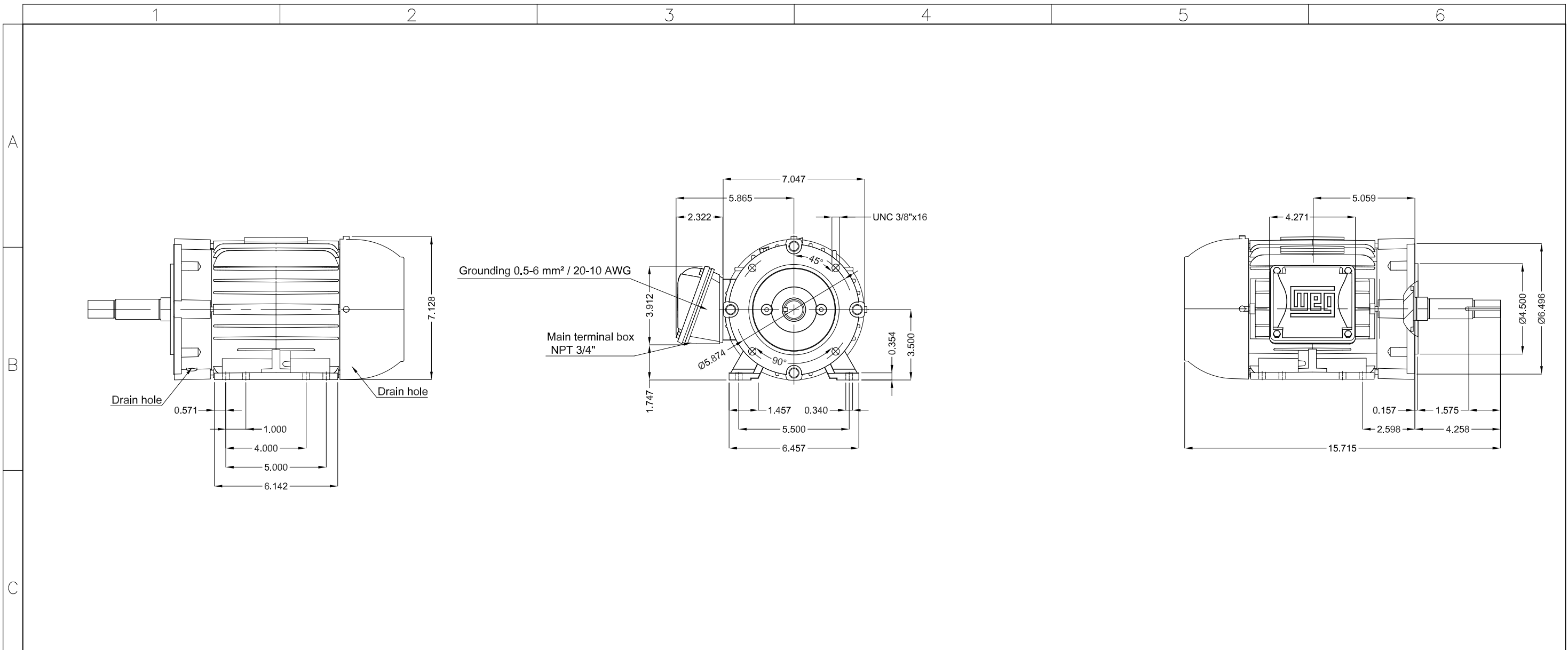
Product line : W22 Close Coupled Pump JM      Product code : 11986335  
 NEMA Premium Efficiency Three-Phase



Performance : 575 V 60 Hz 4P

Rated current : 1.62 A	Moment of inertia (J) : 0.0060 kgm <sup>2</sup>
LRC : 8.4	Duty cycle : Cont.(S1)
Rated torque : 0.620 kgfm	Insulation class : F
Locked rotor torque : 290 %	Service factor : 1.25
Breakdown torque : 350 %	Temperature rise : 80 K
Rated speed : 1755 rpm	Design : B

Rev.	Changes Summary	Performed	Checked	Date
Performed by			Page 2 / 2	Revision
Checked by				
Date	23/10/2024			



Color RAL 5009  
 Painting plan 207A  
 Mounting B34R(D)

1.5 HP 04 Poles 60 Hz										A		
ECM	LOC	SUMMARY OF MODIFICATIONS					HYBRISUSER	EXECUTED	CHECKED	RELEASED	DATE	VER
EXECUTED	HYBRISUSER	THREE PH. MOTOR JM/JP/JET PUMP W22 NEMA PREM. EFF. FRAME 143/5JM IP55 TEFC										00
CHECKED												
RELEASED												
REL. DATE												

**PREVIEW**  
 WDD | 00  
 SHEET /