

DATA SHEET



Three Phase Induction Motor - Squirrel Cage

Customer					
Product line	: JM Pump NEMA Premium Efficiency Three-Phase	Product code :	12682530		
Frame	: 143/5JM	Cooling method	: IC01 - ODP		
Insulation class	: F	Mounting	: F-1		
Duty cycle	: Cont.(S1)	Rotation ¹	: Both (CW and CCW)		
Ambient temperature	: -20°C to +40°C	Starting method	: Direct On Line		
Altitude	: 1000 m.a.s.l.	Approx. weight ³	: 19.8 kg		
Design	: B	Moment of inertia (J)	: 0.0060 kgm ²		
Output [HP]	1.5				
Poles	4				
Frequency [Hz]	60				
Rated voltage [V]	575				
Rated current [A]	1.66				
L. R. Amperes [A]	14.4				
LRC [A]	8.7x(Code L)				
No load current [A]	0.958				
Rated speed [RPM]	1760				
Slip [%]	2.22				
Rated torque [kgfm]	0.619				
Locked rotor torque [%]	280				
Breakdown torque [%]	330				
Service factor	1.15				
Temperature rise	80 K				
Locked rotor time	27s (cold) 15s (hot)				
Noise level ²	52.0 dB(A)				
Efficiency (%)	25%	83.6			
	50%	84.0			
	75%	86.5			
	100%	86.5			
Power Factor	25%	0.32			
	50%	0.56			
	75%	0.69			
	100%	0.77			
Bearing type	: Drive end	Non drive end	Foundation loads		
Sealing	: 6206 ZZ	6203 ZZ	Max. traction	: 48 kgf	
Lubrication interval	: Without	Without	Max. compression	: 68 kgf	
Lubricant amount	: Bearing Seal	Bearing Seal			
Lubricant type	: -	-			
Notes					
This revision replaces and cancel the previous one, which must be eliminated. (1) Looking the motor from the shaft end. (2) Measured at 1m and with tolerance of +3dB(A). (3) Approximate weight subject to changes after manufacturing process. (4) At 100% of full load.			These are average values based on tests with sinusoidal power supply, subject to the tolerances stipulated in NEMA MG-1.		
Rev.	Changes Summary		Performed	Checked	Date
Performed by					
Checked by				Page	Revision
Date	16/05/2022			1 / 2	

LOAD PERFORMANCE CURVE

Three Phase Induction Motor - Squirrel Cage

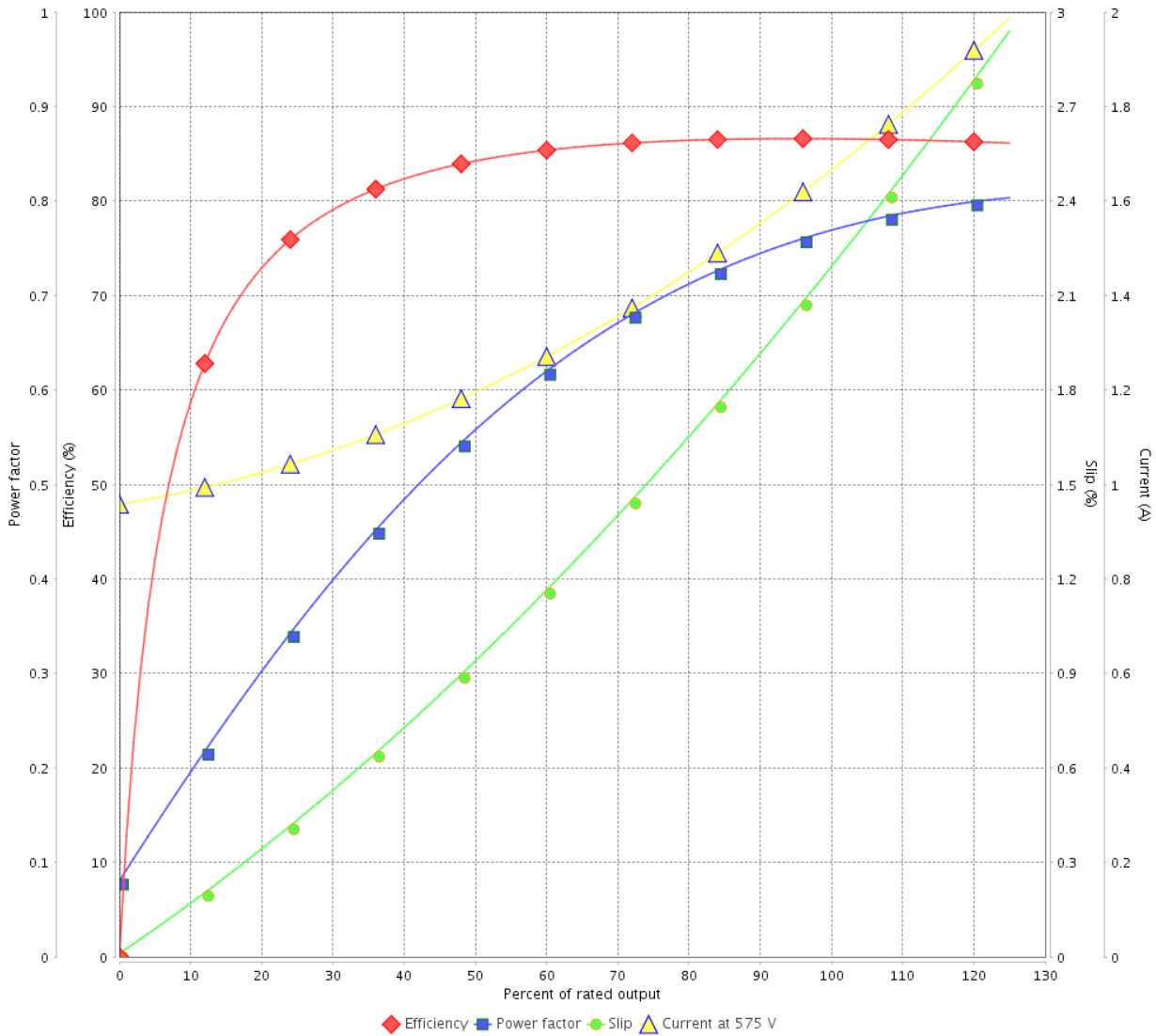


Customer :

Product line : JM Pump NEMA Premium
Efficiency Three-Phase

Product code : 12682530

LOAD PERFORMANCE CURVE



Performance : 575 V 60 Hz 4P

Rated current : 1.66 A
LRC : 8.7
Rated torque : 0.619 kgfm
Locked rotor torque : 280 %
Breakdown torque : 330 %
Rated speed : 1760 rpm

Moment of inertia (J) : 0.0060 kgm²
Duty cycle : Cont.(S1)
Insulation class : F
Service factor : 1.15
Temperature rise : 80 K
Design : B

Rev.	Changes Summary	Performed	Checked	Date
Performed by			Page	Revision
Checked by				
Date				

1 2 3 4 5 6

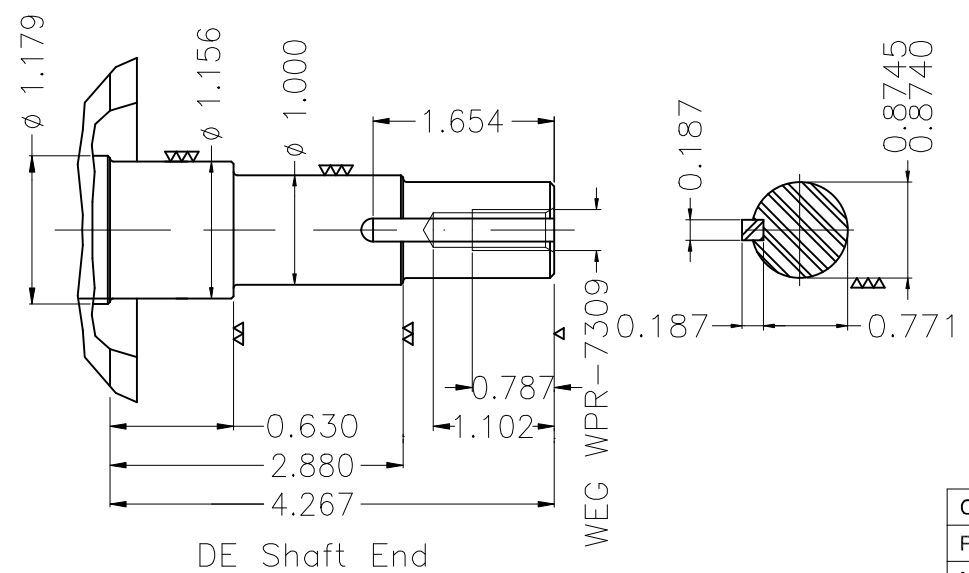
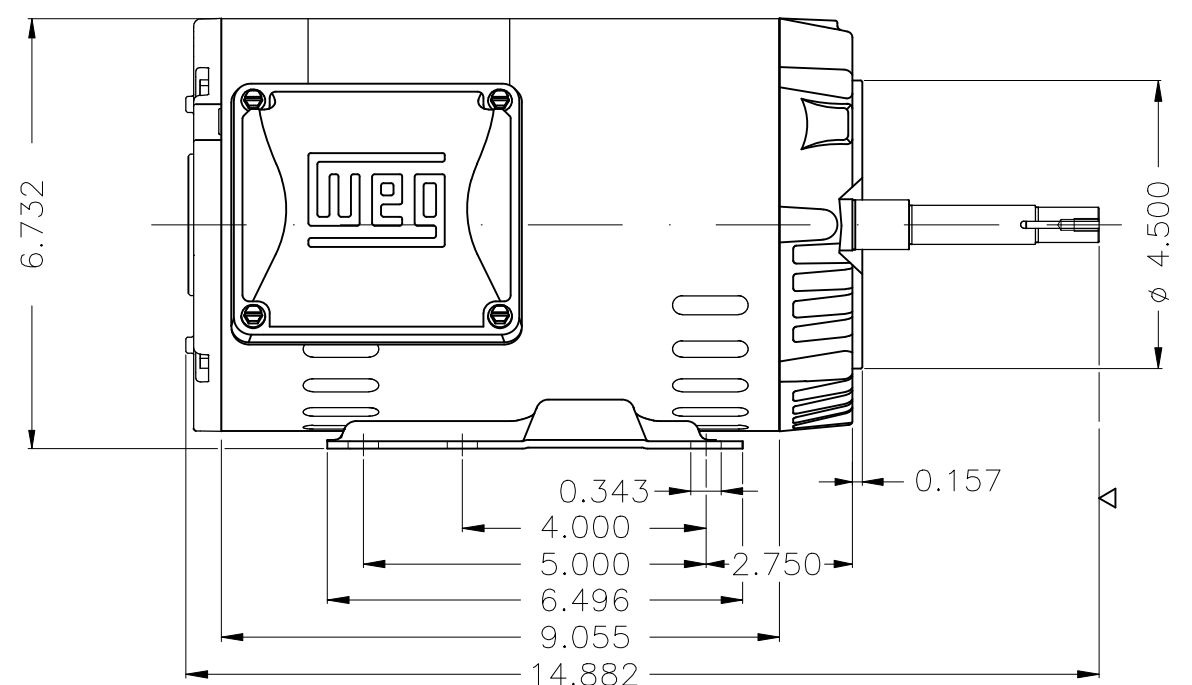
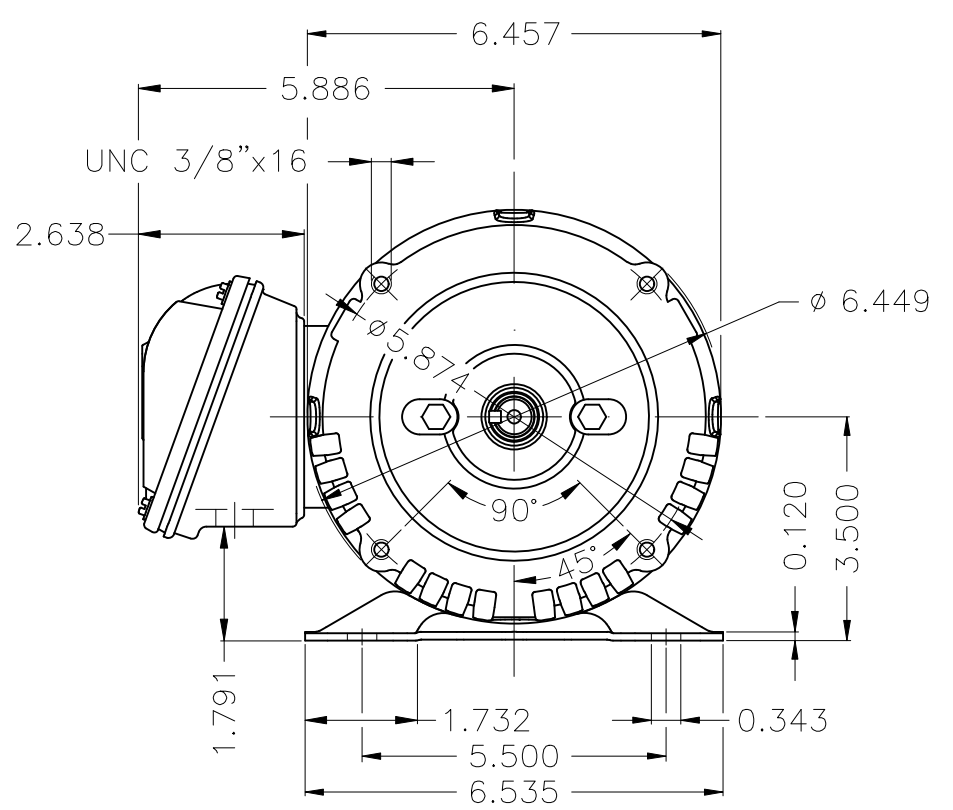
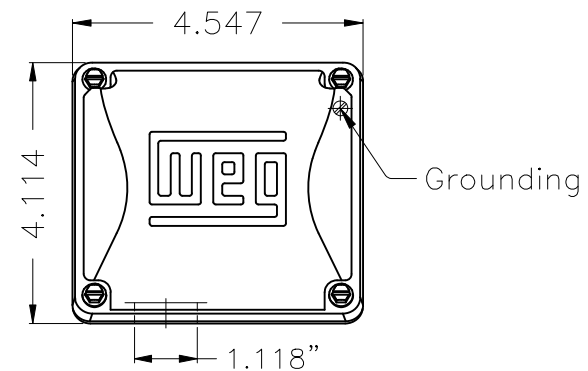
A

B

C

D

E



EUNC 3/8"-16 WEG WPR-7309

DE Shaft End

Color Munsell N 1 matte black
 Painting plan 207N
 Mounting B34D

ECM	LOC	SUMMARY OF MODIFICATIONS	EXECUTED	CHECKED	RELEASED	DATE	VER
EXECUTED	HYBRISUSER	THREE PH. MOTOR ROLLED STEEL JM NEMA PREM. EFF. FRAME 143/5JM IP21 ODP					00
CHECKED							
RELEASED							
REL. DATE	WMO	Jaragua do Sul	Product Engineering	WDD	00		

1.5 HP 04 Poles 60 Hz

A

PREVIEW

WDD 00

SHEET 1 / 1

