

DATA SHEET



Three Phase Induction Motor - Squirrel Cage

Customer :

Product line : Close Coupled Pump NEMA Premium Efficiency Three-Phase Product code : 11146952

Frame	: E143/5JM	Locked rotor time	: 27s (cold) 15s (hot)
Output	: 1.5 HP (1.1 kW)	Temperature rise	: 80 K
Poles	: 4	Duty cycle	: Cont.(S1)
Frequency	: 60 Hz	Ambient temperature	: -20°C to +40°C
Rated voltage	: 575 V	Altitude	: 1000 m.a.s.l.
Rated current	: 1.76 A	Protection degree	: IP21
L. R. Amperes	: 15.8 A	Cooling method	: IC01 - ODP
LRC	: 9.0x(Code M)	Mounting	: F-1
No load current	: 1.12 A	Rotation ¹	: Both (CW and CCW)
Rated speed	: 1740 rpm	Noise level ²	: 52.0 dB(A)
Slip	: 3.33 %	Starting method	: Direct On Line
Rated torque	: 0.626 kgfm	Approx. weight ³	: 21.3 kg
Locked rotor torque	: 360 %		
Breakdown torque	: 340 %		
Insulation class	: F		
Service factor	: 1.15		
Moment of inertia (J)	: 0.0067 kgm ²		
Design	: B		

Output	50%	75%	100%	Foundation loads	
Efficiency (%)	82.5	85.5	86.5	Max. traction	: 50 kgf
Power Factor	0.52	0.66	0.75	Max. compression	: 71 kgf

		<u>Drive end</u>	<u>Non drive end</u>
Bearing type	:	6206 ZZ	6204 ZZ
Sealing	:	Without Bearing Seal	Without Bearing Seal
Lubrication interval	:	-	-
Lubricant amount	:	-	-
Lubricant type	:	Mobil Polyrex EM	

Notes

This revision replaces and cancel the previous one, which must be eliminated.
 (1) Looking the motor from the shaft end.
 (2) Measured at 1m and with tolerance of +3dB(A).
 (3) Approximate weight subject to changes after manufacturing process.
 (4) At 100% of full load.

These are average values based on tests with sinusoidal power supply, subject to the tolerances stipulated in NEMA MG-1.

Rev.	Changes Summary	Performed	Checked	Date
Performed by				
Checked by				
Date	23/10/2024	Page 1 / 2		Revision

LOAD PERFORMANCE CURVE

Three Phase Induction Motor - Squirrel Cage

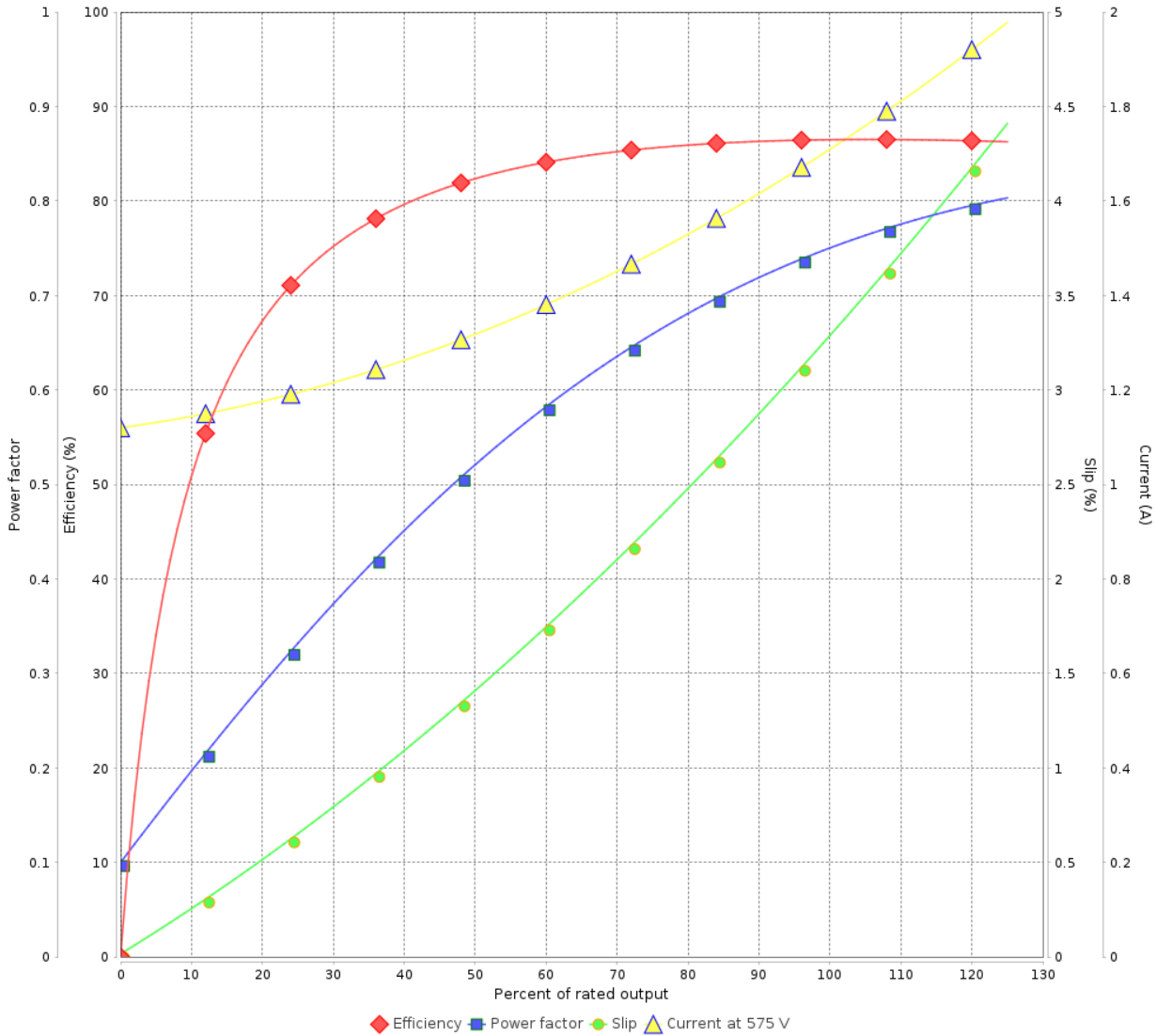


Customer :

Product line : Close Coupled Pump NEMA
Premium Efficiency Three-Phase

Product code : 11146952

LOAD PERFORMANCE CURVE

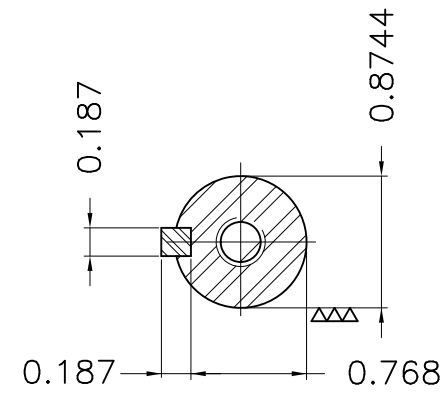
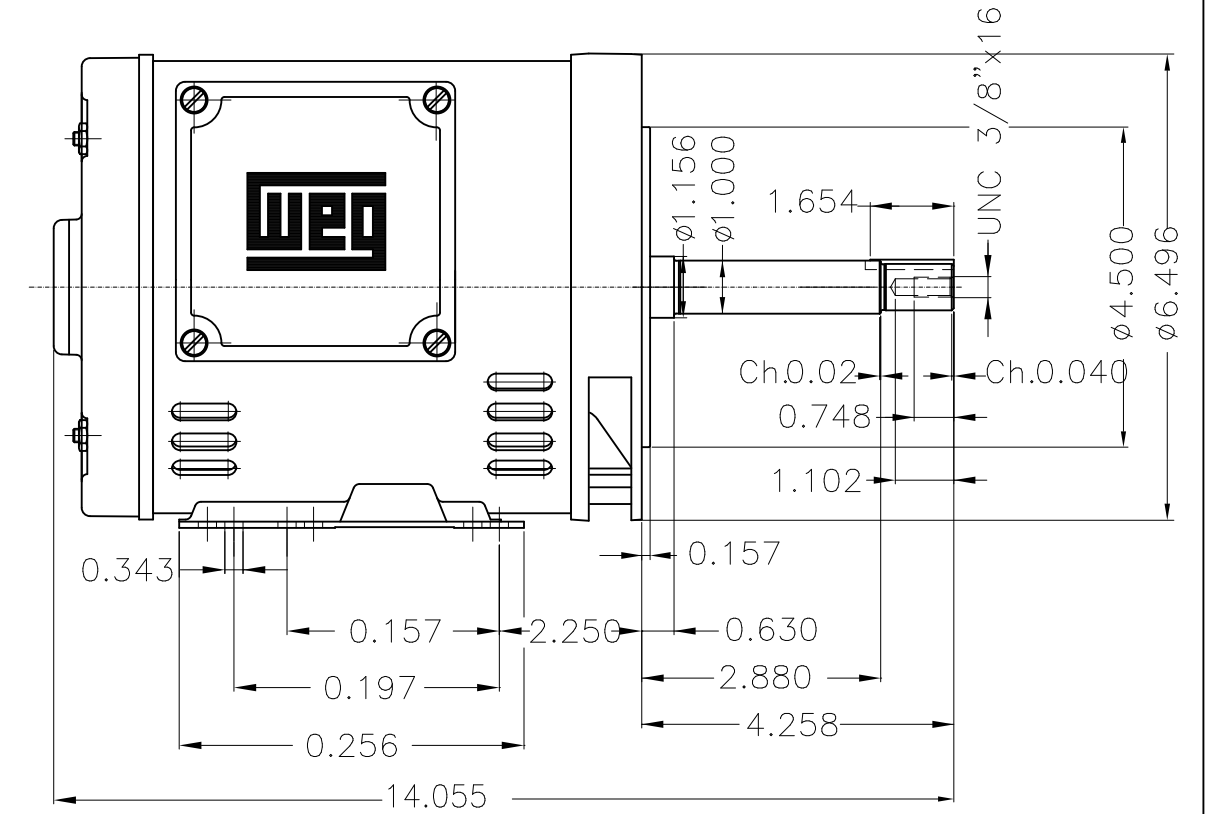
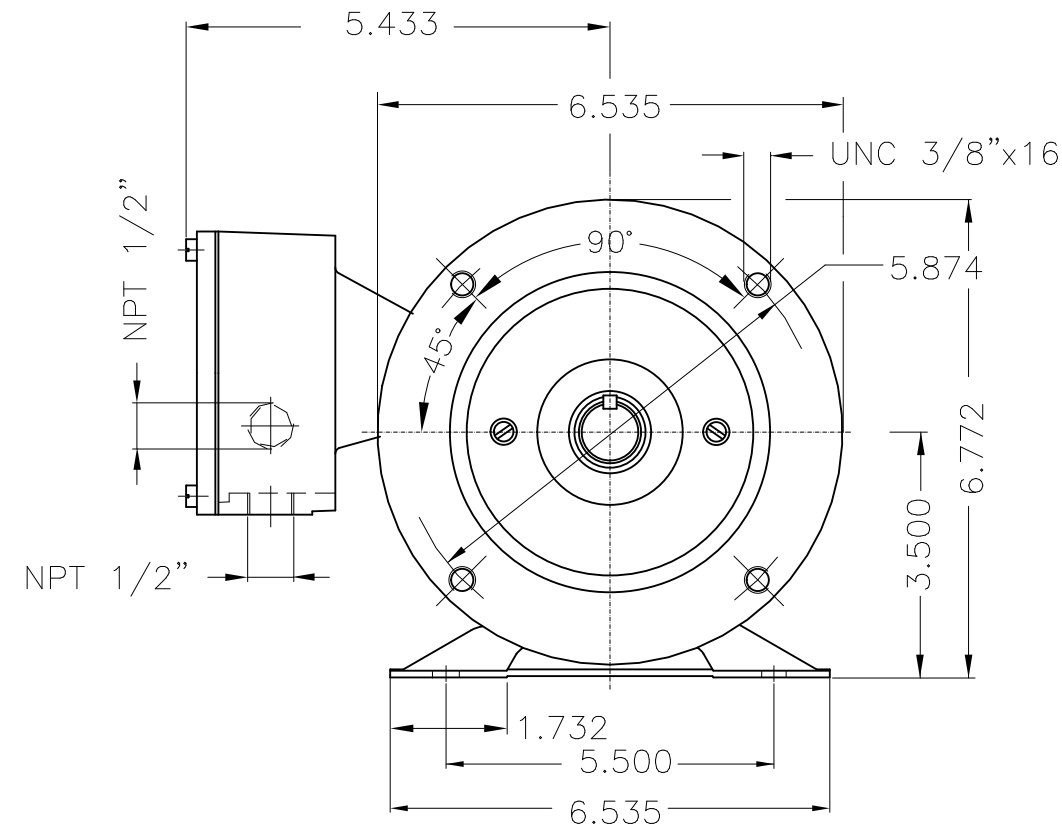


Performance : 575 V 60 Hz 4P

Rated current : 1.76 A
LRC : 9.0
Rated torque : 0.626 kgfm
Locked rotor torque : 360 %
Breakdown torque : 340 %
Rated speed : 1740 rpm

Moment of inertia (J) : 0.0067 kgm²
Duty cycle : Cont.(S1)
Insulation class : F
Service factor : 1.15
Temperature rise : 80 K
Design : B

Rev.	Changes Summary	Performed	Checked	Date
Performed by			Page 2 / 2	Revision
Checked by				
Date	23/10/2024			



A
B
C
D
E

Without switch off thermal protection									
Mounting B34R(D)									
ECM	LOC	SUMMARY OF MODIFICATIONS			EXECUTED	CHECKED	RELEASED	DATE	VER
EXECUTED	HYBRISUSER	THREE PH. MOTOR JM/JP/JET PUMP NEMA PREM. EFF.							00
CHECKED		FRAME E143/5JM IP21 ODP							
RELEASED									
REL. DATE		WMO	Jaragua do Sul	Product Engineering	PREVIEW		WDD	00	
					SHEET		1 / 1		

1.5 HP 04 Poles 60 Hz

