

DATA SHEET



Three Phase Induction Motor - Squirrel Cage

Customer :

Product line : W22 Close Coupled Pump JM Product code : 12406631
 NEMA Premium Efficiency Three-Phase

Frame	: 143/5JM	Locked rotor time	: 37s (cold) 21s (hot)
Output	: 1.5 HP (1.1 kW)	Temperature rise	: 80 K
Poles	: 2	Duty cycle	: Cont.(S1)
Frequency	: 60 Hz	Ambient temperature	: -20°C to +40°C
Rated voltage	: 575 V	Altitude	: 1000 m.a.s.l.
Rated current	: 1.57 A	Protection degree	: IP55
L. R. Amperes	: 14.0 A	Cooling method	: IC411 - TEFC
LRC	: 8.9x(Code L)	Mounting	: F-1
No load current	: 0.664 A	Rotation ¹	: Both (CW and CCW)
Rated speed	: 3480 rpm	Noise level ²	: 68.0 dB(A)
Slip	: 3.33 %	Starting method	: Direct On Line
Rated torque	: 0.313 kgfm	Approx. weight ³	: 22.6 kg
Locked rotor torque	: 310 %		
Breakdown torque	: 370 %		
Insulation class	: F		
Service factor	: 1.25		
Moment of inertia (J)	: 0.0020 kgm ²		
Design	: B		

Output	50%	75%	100%	Foundation loads	
Efficiency (%)	81.5	84.0	84.0	Max. traction	: 21 kgf
Power Factor	0.68	0.78	0.84	Max. compression	: 44 kgf

Losses at normative operating points (speed;torque), in percentage of rated output power

P1 (0,9;1,0)	P2 (0,5;1,0)	P3 (0,25;1,0)	P4 (0,9;0,5)	P5 (0,5;0,5)	P6 (0,5;0,25)	P7 (0,25;0,25)
17.7	13.3	12.1	9.8	5.6	3.8	2.4

		<u>Drive end</u>	<u>Non drive end</u>
Bearing type	:	6206 ZZ	6204 ZZ
Sealing	:	V'Ring	V'Ring
Lubrication interval	:	-	-
Lubricant amount	:	-	-
Lubricant type	:	Mobil Polyrex EM	

Notes

This revision replaces and cancel the previous one, which must be eliminated.

- (1) Looking the motor from the shaft end.
- (2) Measured at 1m and with tolerance of +3dB(A).
- (3) Approximate weight subject to changes after manufacturing process.
- (4) At 100% of full load.

These are average values based on tests with sinusoidal power supply, subject to the tolerances stipulated in NEMA MG-1.

Rev.	Changes Summary	Performed	Checked	Date
Performed by		Page		Revision
Checked by		1 / 2		
Date	23/10/2024			

LOAD PERFORMANCE CURVE

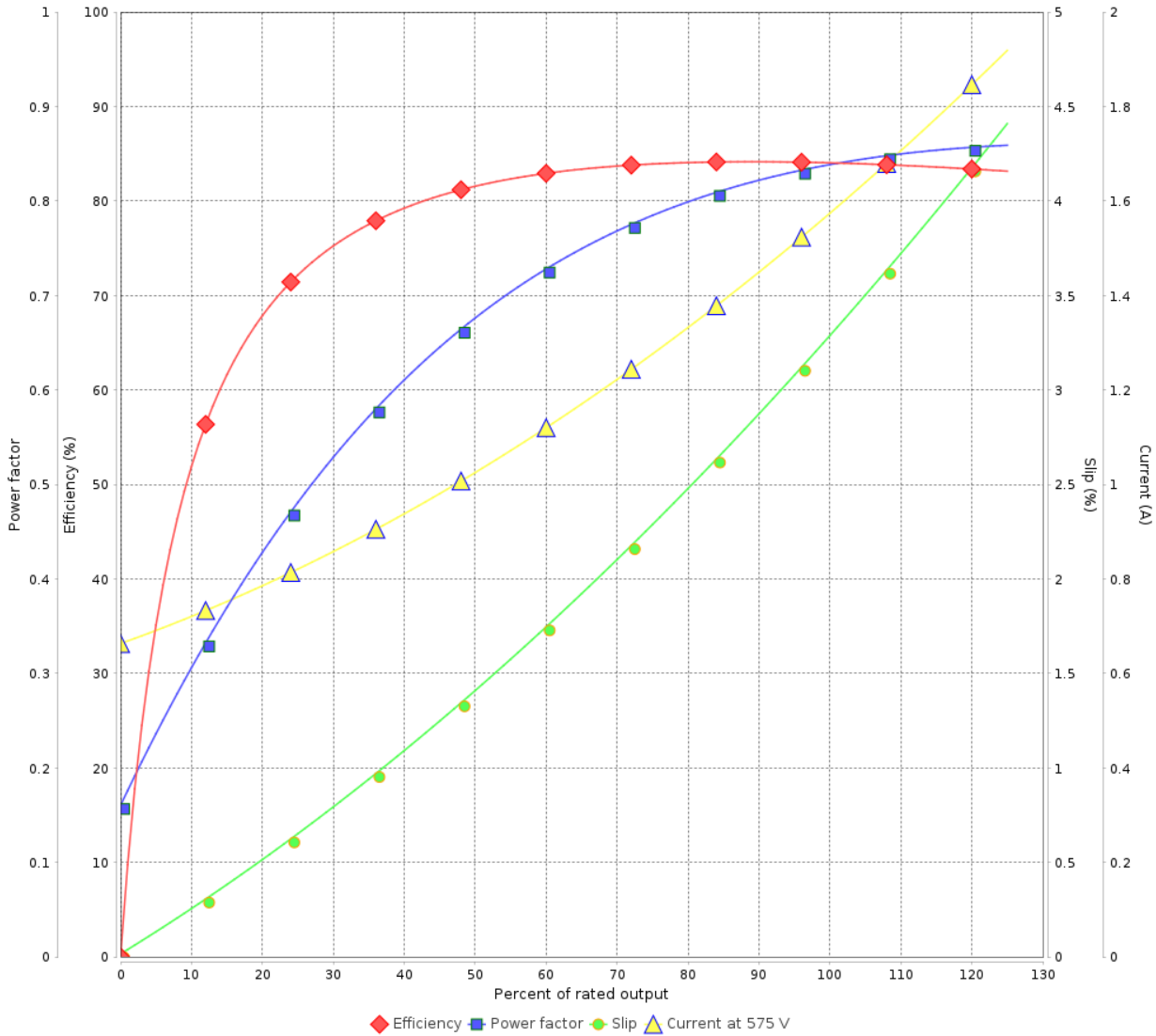
Three Phase Induction Motor - Squirrel Cage



Customer :

Product line : W22 Close Coupled Pump JM
 NEMA Premium Efficiency Three-Phase
 Product code : 12406631

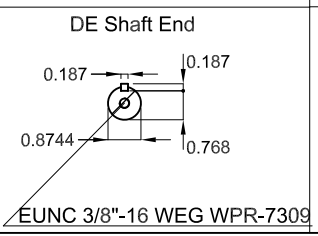
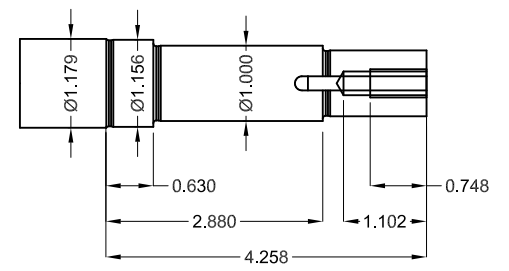
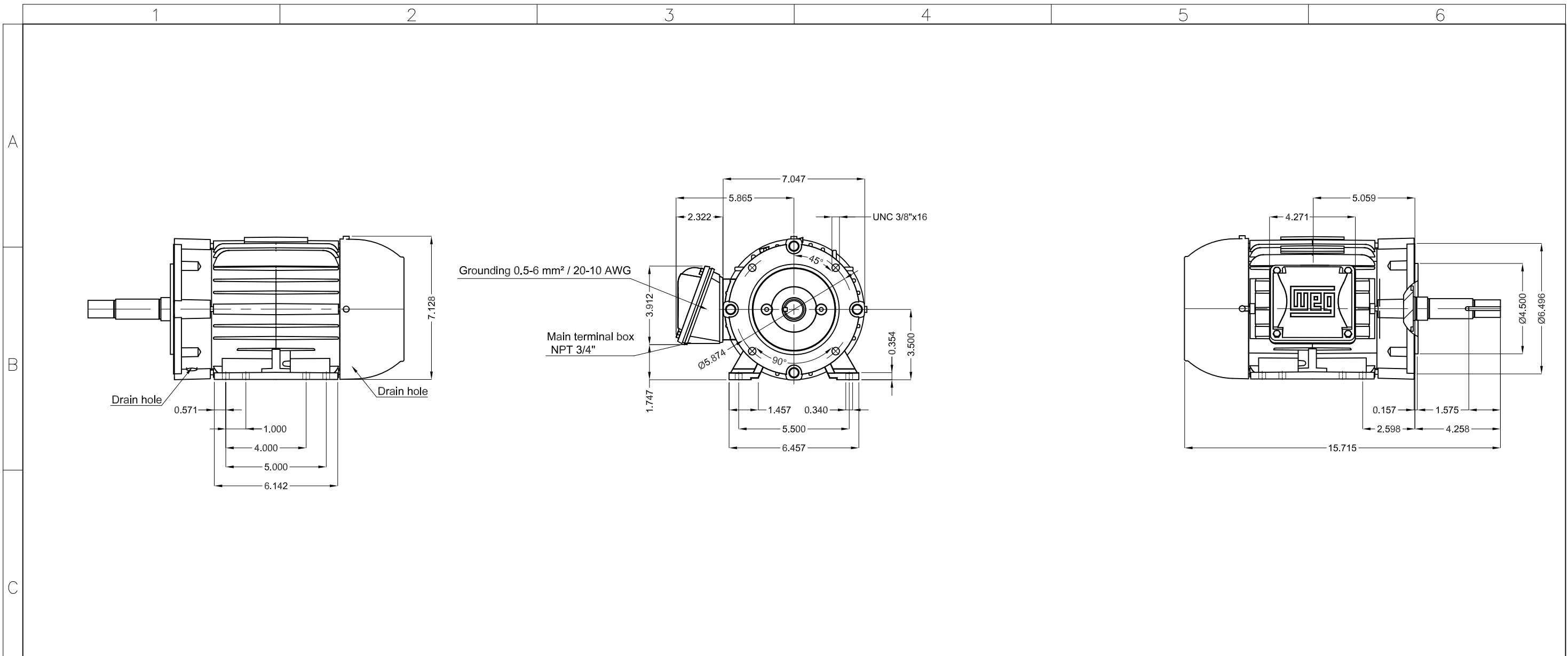
LOAD PERFORMANCE CURVE



Performance : 575 V 60 Hz 2P

Rated current	: 1.57 A	Moment of inertia (J)	: 0.0020 kgm ²
LRC	: 8.9	Duty cycle	: Cont.(S1)
Rated torque	: 0.313 kgfm	Insulation class	: F
Locked rotor torque	: 310 %	Service factor	: 1.25
Breakdown torque	: 370 %	Temperature rise	: 80 K
Rated speed	: 3480 rpm	Design	: B

Rev.	Changes Summary	Performed	Checked	Date
Performed by			Page	Revision
Checked by			2 / 2	
Date	23/10/2024			



Color RAL 5009
 Painting plan 207A
 Mounting NEMA F-1
 Mounting B34R(D)

1.5 HP 02 Poles 60 Hz										A	
HYBRISUSER										00	
ECM	LOC	SUMMARY OF MODIFICATIONS					EXECUTED	CHECKED	RELEASED	DATE	VER
EXECUTED	HYBRISUSER	THREE PH. MOTOR JM/JP/JET PUMP W22 NEMA PREM. EFF. FRAME 143/5JM IP55 TEFC					EXECUTED	CHECKED	RELEASED	DATE	VER
CHECKED							EXECUTED	CHECKED	RELEASED	DATE	VER
RELEASED							EXECUTED	CHECKED	RELEASED	DATE	VER
REL. DATE							EXECUTED	CHECKED	RELEASED	DATE	VER
						PREVIEW		WDD 00		SHEET /	

