

DATA SHEET



Three Phase Induction Motor - Squirrel Cage

Customer :

Product line : W22 IEEE 841 NEMA Premium Efficiency Three-Phase Product code : 11943107

Frame	: 364/5T	Locked rotor time	: 37s (cold) 21s (hot)
Output	: 40 HP (30 kW)	Temperature rise	: 80 K
Poles	: 6	Duty cycle	: Cont.(S1)
Frequency	: 60 Hz	Ambient temperature	: -20°C to +40°C
Rated voltage	: 575 V	Altitude	: 1000 m.a.s.l.
Rated current	: 37.2 A	Protection degree	: IP55
L. R. Amperes	: 238 A	Cooling method	: IC411 - TEFC
LRC	: 6.4x(Code G)	Mounting	: F-1
No load current	: 13.2 A	Rotation ¹	: Both (CW and CCW)
Rated speed	: 1183 rpm	Noise level ²	: 66.0 dB(A)
Slip	: 1.42 %	Starting method	: Direct On Line
Rated torque	: 24.5 kgfm	Approx. weight ³	: 406 kg
Locked rotor torque	: 200 %		
Breakdown torque	: 240 %		
Insulation class	: F		
Service factor	: 1.25		
Moment of inertia (J)	: 1.22 kgm ²		
Design	: B		

Output	50%	75%	100%	Foundation loads	
Efficiency (%)	93.6	93.6	94.1	Max. traction	: 458 kgf
Power Factor	0.73	0.82	0.86	Max. compression	: 864 kgf

Losses at normative operating points (speed;torque), in percentage of rated output power

P1 (0,9;1,0)	P2 (0,5;1,0)	P3 (0,25;1,0)	P4 (0,9;0,5)	P5 (0,5;0,5)	P6 (0,5;0,25)	P7 (0,25;0,25)
6.1	5.0	4.4	2.8	1.9	1.1	0.8

		<u>Drive end</u>	<u>Non drive end</u>
Bearing type	:	6314 C3	6314 C3
Sealing	:	Taconite Labyrinth	Taconite Labyrinth
Lubrication interval	:	17000 h	17000 h
Lubricant amount	:	27 g	27 g
Lubricant type	:	Mobil Polyrex EM	

Notes

This revision replaces and cancel the previous one, which must be eliminated.

- (1) Looking the motor from the shaft end.
- (2) Measured at 1m and with tolerance of +3dB(A).
- (3) Approximate weight subject to changes after manufacturing process.
- (4) At 100% of full load.

These are average values based on tests with sinusoidal power supply, subject to the tolerances stipulated in NEMA MG-1.

Rev.	Changes Summary	Performed	Checked	Date
Performed by				
Checked by			Page	Revision
Date	22/10/2024		1 / 2	

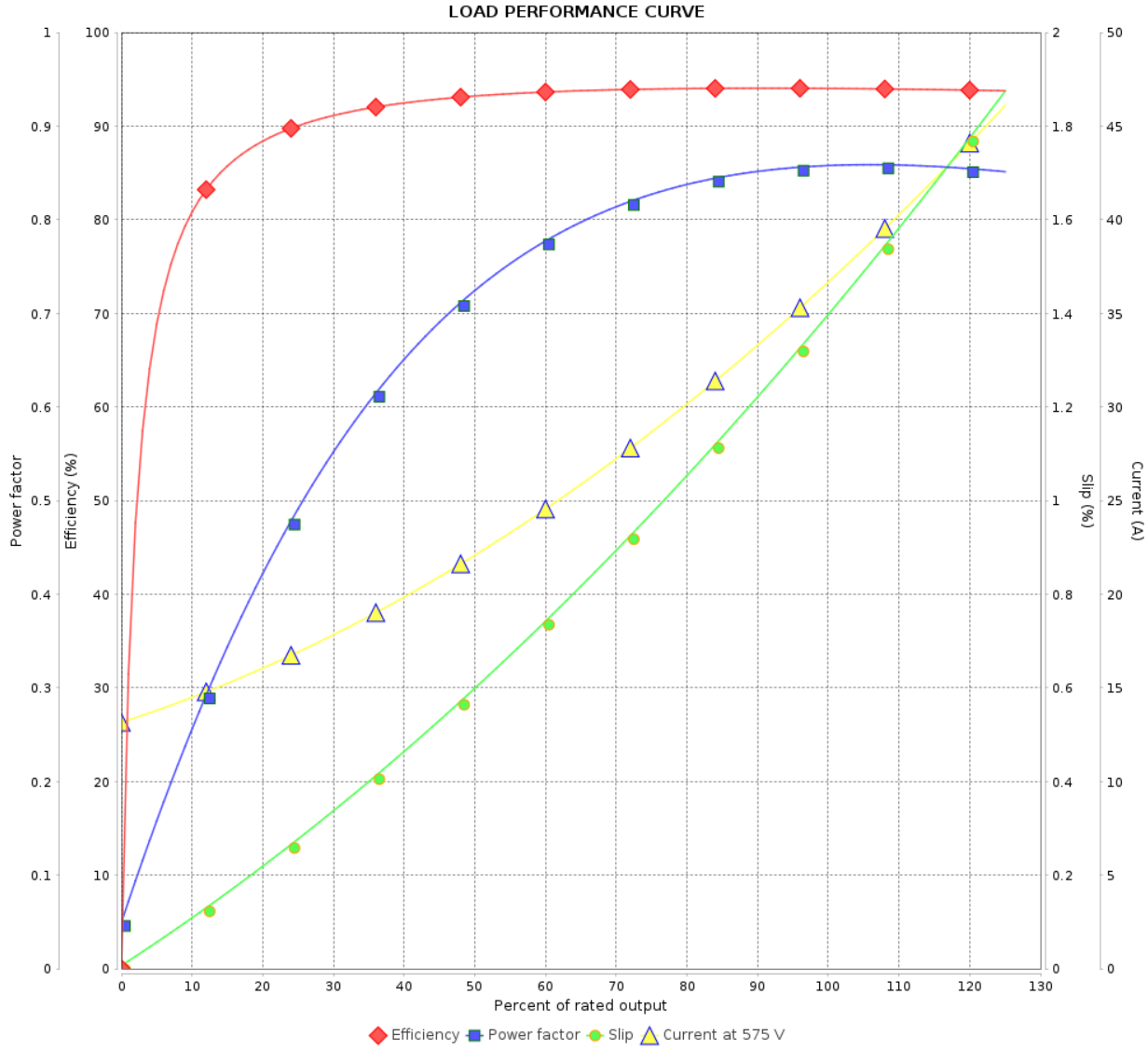
LOAD PERFORMANCE CURVE

Three Phase Induction Motor - Squirrel Cage



Customer : _____

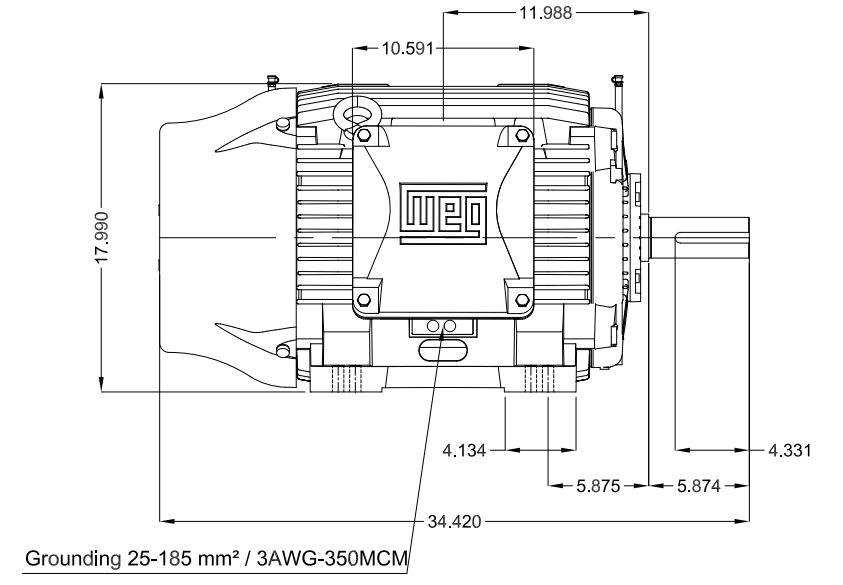
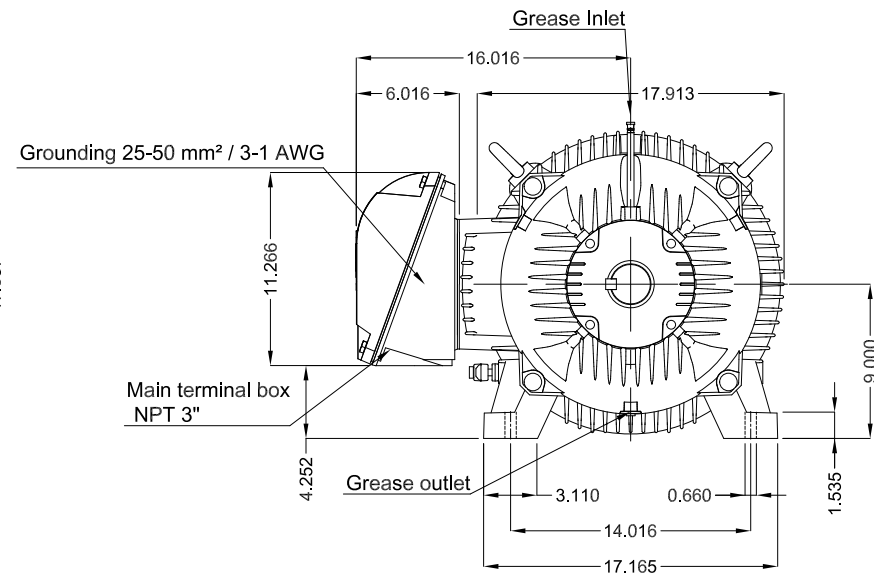
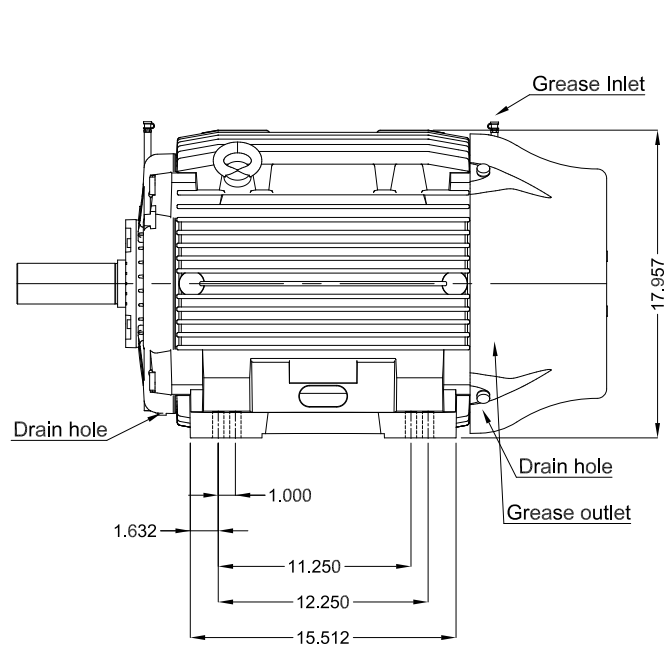
Product line : W22 IEEE 841 NEMA Premium Efficiency Three-Phase Product code : 11943107



Performance : 575 V 60 Hz 6P

Rated current	: 37.2 A	Moment of inertia (J)	: 1.22 kgm ²
LRC	: 6.4	Duty cycle	: Cont.(S1)
Rated torque	: 24.5 kgfm	Insulation class	: F
Locked rotor torque	: 200 %	Service factor	: 1.25
Breakdown torque	: 240 %	Temperature rise	: 80 K
Rated speed	: 1183 rpm	Design	: B

Rev.	Changes Summary	Performed	Checked	Date
Performed by			Page 2 / 2	Revision
Checked by				
Date	22/10/2024			



A

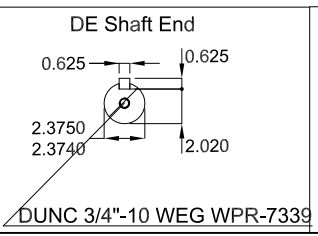
B

C

D

E

- Without vertical jackscrews
- Sealing - Taconite labyrinth
- Grease outlet according to IEEE841
- Color RAL 5009
- Painting plan 222E
- Mounting B3R(D)



40 HP 06 Poles 60 Hz A

ECM				LOC		SUMMARY OF MODIFICATIONS				HYBRISUSER		00
EXECUTED	HYBRISUSER	THREE PH. MOTOR IEEE 841 W22 NEMA PREM. EFF.		EXECUTED	CHECKED	RELEASED	DATE	VER				
CHECKED		FRAME 364/5T IP55 TEFC								PREVIEW		
RELEASED										WDD		00
REL. DATE										SHEET		/

Dimensions in inches

A3

