

DATA SHEET



Three Phase Induction Motor - Squirrel Cage

Customer :

Product line : W22 IEEE 841 NEMA Premium Efficiency Three-Phase Product code : 13584923

Frame	: 213/5T	Locked rotor time	: 104s (cold) 58s (hot)
Output	: 3 HP (2.2 kW)	Temperature rise	: 80 K
Poles	: 6	Duty cycle	: Cont.(S1)
Frequency	: 60 Hz	Ambient temperature	: -20°C to +40°C
Rated voltage	: 575 V	Altitude	: 1000 m.a.s.l.
Rated current	: 3.53 A	Protection degree	: IP56
L. R. Amperes	: 24.7 A	Cooling method	: IC411 - TEFC
LRC	: 7.0x(Code K)	Mounting	: F-1
No load current	: 2.20 A	Rotation ¹	: Both (CW and CCW)
Rated speed	: 1175 rpm	Noise level ²	: 55.0 dB(A)
Slip	: 2.08 %	Starting method	: Direct On Line
Rated torque	: 1.85 kgfm	Approx. weight ³	: 76.4 kg
Locked rotor torque	: 200 %		
Breakdown torque	: 280 %		
Insulation class	: F		
Service factor	: 1.25		
Moment of inertia (J)	: 0.0504 kgm ²		
Design	: B		

Output	50%	75%	100%	Foundation loads	
Efficiency (%)	86.5	88.5	89.5	Max. traction	: 57 kgf
Power Factor	0.50	0.63	0.70	Max. compression	: 134 kgf

Losses at normative operating points (speed;torque), in percentage of rated output power

P1 (0,9;1,0)	P2 (0,5;1,0)	P3 (0,25;1,0)	P4 (0,9;0,5)	P5 (0,5;0,5)	P6 (0,5;0,25)	P7 (0,25;0,25)
11.0	8.5	7.7	6.7	4.4	3.4	2.5

		<u>Drive end</u>	<u>Non drive end</u>
Bearing type	:	6308 C3	6207 C3
Sealing	:	Inpro/Seal	Inpro/Seal
Lubrication interval	:	20000 h	20000 h
Lubricant amount	:	11 g	7 g
Lubricant type	:	Mobil Polyrex EM	

Notes

This revision replaces and cancel the previous one, which must be eliminated.

- (1) Looking the motor from the shaft end.
- (2) Measured at 1m and with tolerance of +3dB(A).
- (3) Approximate weight subject to changes after manufacturing process.
- (4) At 100% of full load.

These are average values based on tests with sinusoidal power supply, subject to the tolerances stipulated in NEMA MG-1.

Rev.	Changes Summary	Performed	Checked	Date
Performed by		Page		Revision
Checked by		1 / 2		
Date	22/10/2024			

LOAD PERFORMANCE CURVE

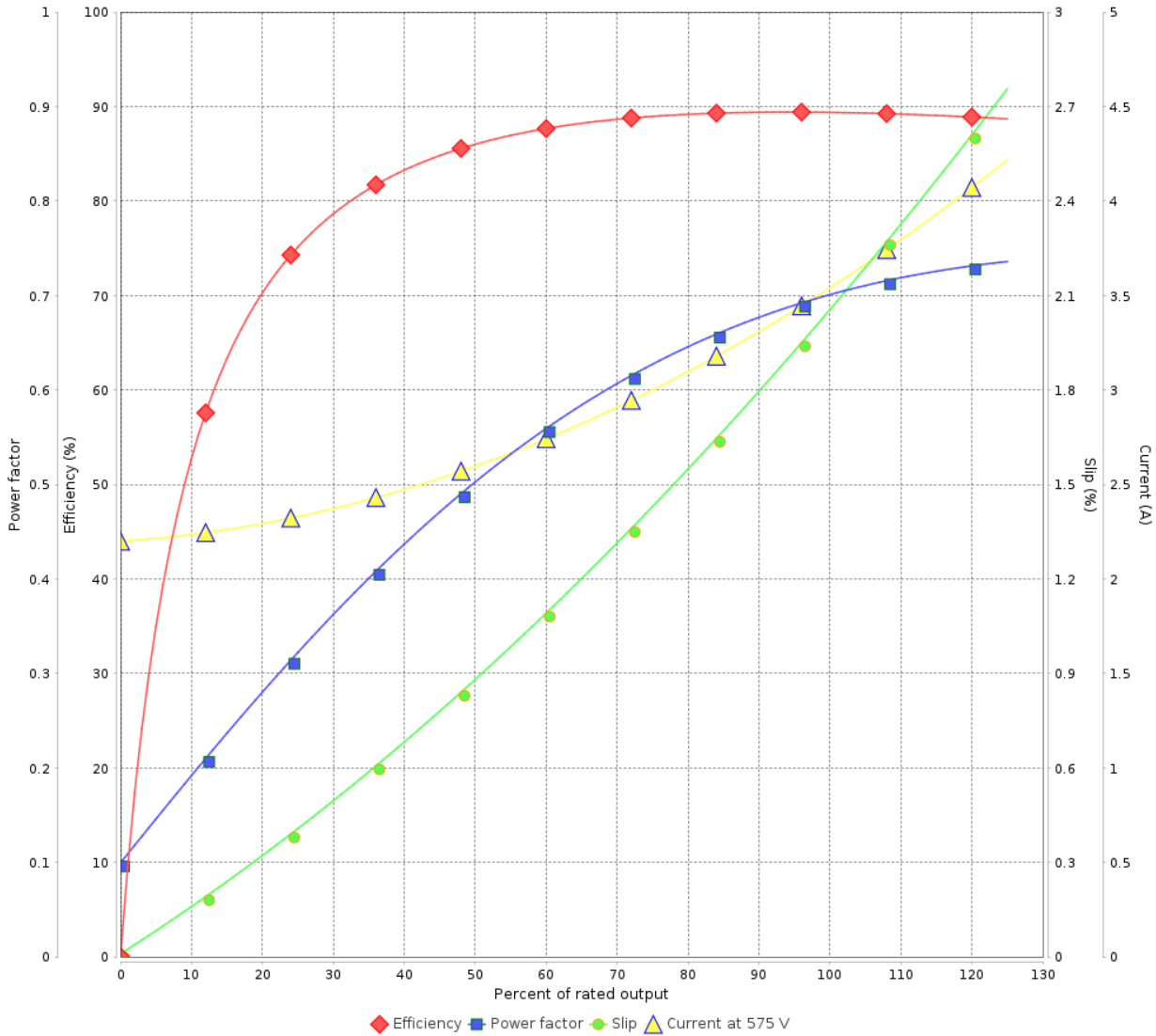
Three Phase Induction Motor - Squirrel Cage



Customer :

Product line : W22 IEEE 841 NEMA Premium Efficiency Three-Phase Product code : 13584923

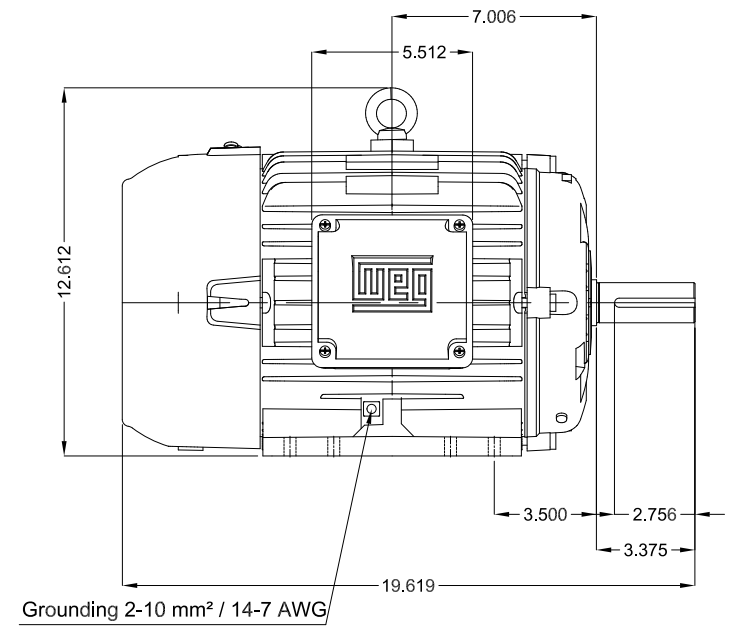
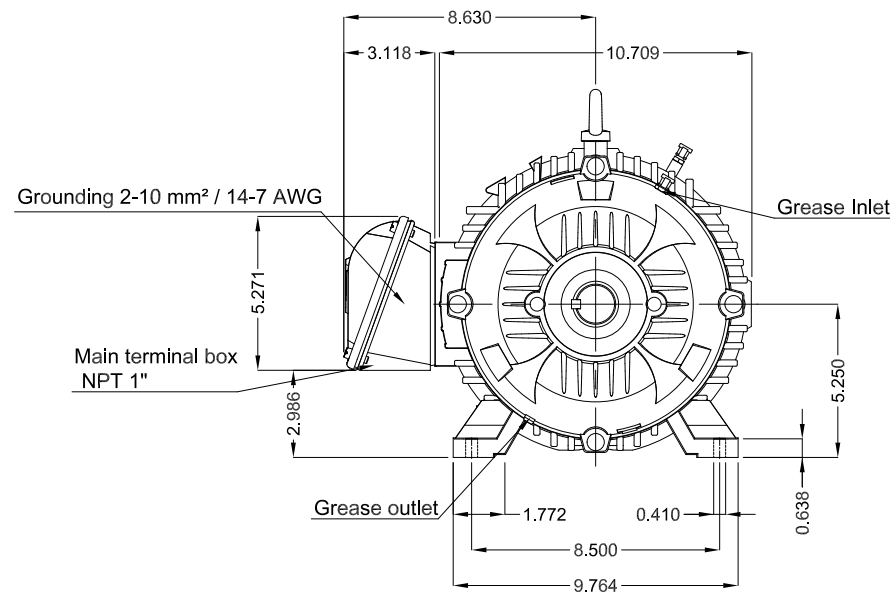
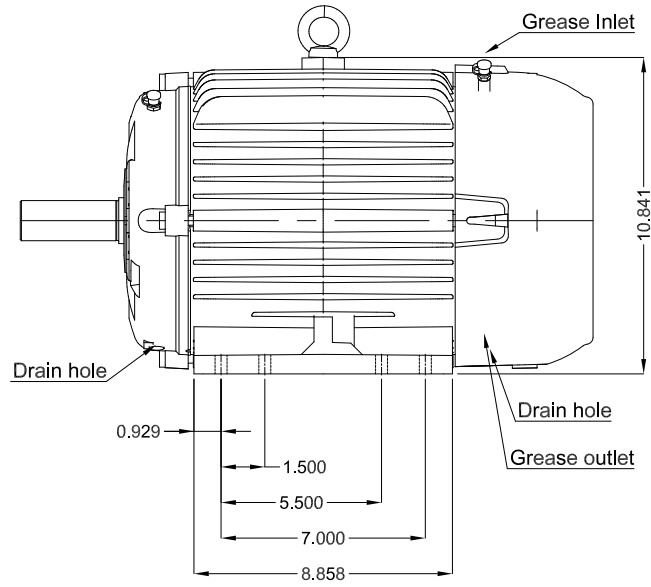
LOAD PERFORMANCE CURVE



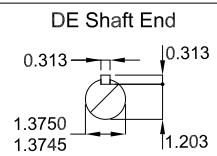
Performance : 575 V 60 Hz 6P

Rated current	: 3.53 A	Moment of inertia (J)	: 0.0504 kgm ²
LRC	: 7.0	Duty cycle	: Cont.(S1)
Rated torque	: 1.85 kgfm	Insulation class	: F
Locked rotor torque	: 200 %	Service factor	: 1.25
Breakdown torque	: 280 %	Temperature rise	: 80 K
Rated speed	: 1175 rpm	Design	: B

Rev.	Changes Summary	Performed	Checked	Date
Performed by			Page 2 / 2	Revision
Checked by				
Date	22/10/2024			



- Grease outlet according to IEEE841
- Color RAL 5009
- Painting plan 202E
- Mounting NEMA F-1
- Mounting B3R(D)



3 HP 06 Poles 60 Hz						A
HYBRISUSER						00
ECM	LOC	SUMMARY OF MODIFICATIONS		EXECUTED	CHECKED	RELEASED
EXECUTED	HYBRISUSER	THREE PH. MOTOR IEEE 841 W22 NEMA PREM. EFF.		PREVIEW	WDD	00
CHECKED		FRAME 213/5T IP56 TEFC				
RELEASED						
REL. DATE						
				SHEET	/	

