

DATA SHEET



Three Phase Induction Motor - Squirrel Cage

Customer :

Product line : ODP NEMA Premium Efficiency Three-Phase Product code : 11997391

Frame	: 324TC	Cooling method	: IC01 - ODP
Insulation class	: F	Mounting	: F-1
Duty cycle	: Cont.(S1)	Rotation ¹	: Both (CW and CCW)
Ambient temperature	: -20°C to +40°C	Starting method	: Direct On Line
Altitude	: 1000 m.a.s.l.	Approx. weight ³	: 218 kg
Protection degree	: IP23	Moment of inertia (J)	: 0.2551 kgm ²
Design	: B		

Output [HP]	40	30	30	30	40	40	40
Poles	4	4	4	4	4	4	4
Frequency [Hz]	60	50	50	50	50	50	50
Rated voltage [V]	230/460	380	400	415	380	400	415
Rated current [A]	96.4/48.2	42.8	41.6	41.1	58.1	55.8	54.4
L. R. Amperes [A]	598/299	270	291	312	279	301	321
LRC [A]	6.2x(Code G)	6.3x(Code G)	7.0x(Code H)	7.6x(Code J)	4.8x(Code E)	5.4x(Code F)	5.9x(Code G)
No load current [A]	37.0/18.5	15.4	16.8	18.1	15.4	16.8	18.1
Rated speed [RPM]	1775	1475	1475	1480	1465	1470	1475
Slip [%]	1.39	1.67	1.67	1.33	2.33	2.00	1.67
Rated torque [kgfm]	16.4	14.8	14.8	14.7	19.8	19.7	19.7
Locked rotor torque [%]	220	240	270	290	180	200	220
Breakdown torque [%]	229	340	370	400	250	280	300
Service factor	1.15	1.15	1.15	1.15	1.15	1.15	1.15
Temperature rise	80 K	80 K	80 K	80 K	80 K	80 K	80 K
Locked rotor time	50s (cold) 28s (hot)	36s (cold) 20s (hot)	32s (cold) 18s (hot)	30s (cold) 17s (hot)	36s (cold) 20s (hot)	32s (cold) 18s (hot)	30s (cold) 17s (hot)
Noise level ²	64.0 dB(A)						
Efficiency (%)	25%						
	50%	93.6	90.1	89.9	89.8	91.7	91.7
	75%	94.1	91.7	91.7	92.0	91.7	91.7
	100%	94.1	93.0	93.0	93.0	92.3	92.3
Power Factor	25%						
	50%	0.68	0.70	0.66	0.63	0.77	0.74
	75%	0.78	0.80	0.77	0.74	0.84	0.82
	100%	0.83	0.84	0.82	0.80	0.85	0.84

Bearing type	Drive end	Non drive end	Foundation loads
	: 6312 Z C3	: 6212 Z C3	
Sealing	Without	Without	Max. compression : 852 kgf
	Bearing Seal	Bearing Seal	
Lubrication interval	: 20000 h		
Lubricant amount	: 21 g		
Lubricant type	: Mobil Polyrex EM		

Notes
USABLE @208V 107A SF 1.15 SFA 123A

This revision replaces and cancel the previous one, which must be eliminated.
(1) Looking the motor from the shaft end.
(2) Measured at 1m and with tolerance of +3dB(A).
(3) Approximate weight subject to changes after manufacturing process.
(4) At 100% of full load.

These are average values based on tests with sinusoidal power supply, subject to the tolerances stipulated in NEMA MG-1.

Rev.	Changes Summary	Performed	Checked	Date
Performed by				
Checked by			Page	Revision
Date	14/04/2026		1 / 8	

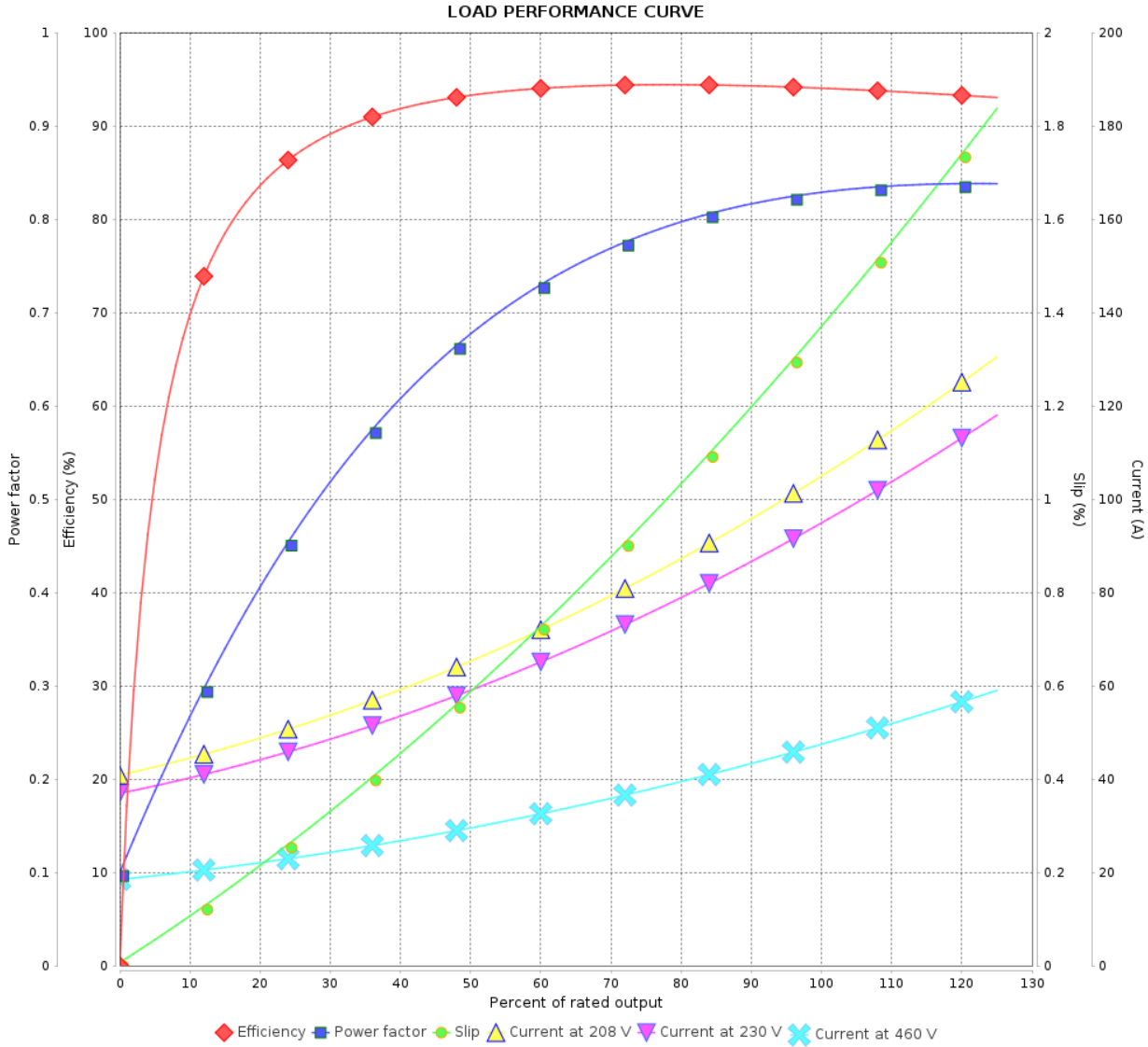
LOAD PERFORMANCE CURVE

Three Phase Induction Motor - Squirrel Cage



Customer : _____

Product line : ODP NEMA Premium Efficiency Three-Phase Product code : 11997391



Rev.	Changes Summary	Performed	Checked	Date
Performed by			Page 2 / 8	Revision
Checked by				
Date				

LOAD PERFORMANCE CURVE

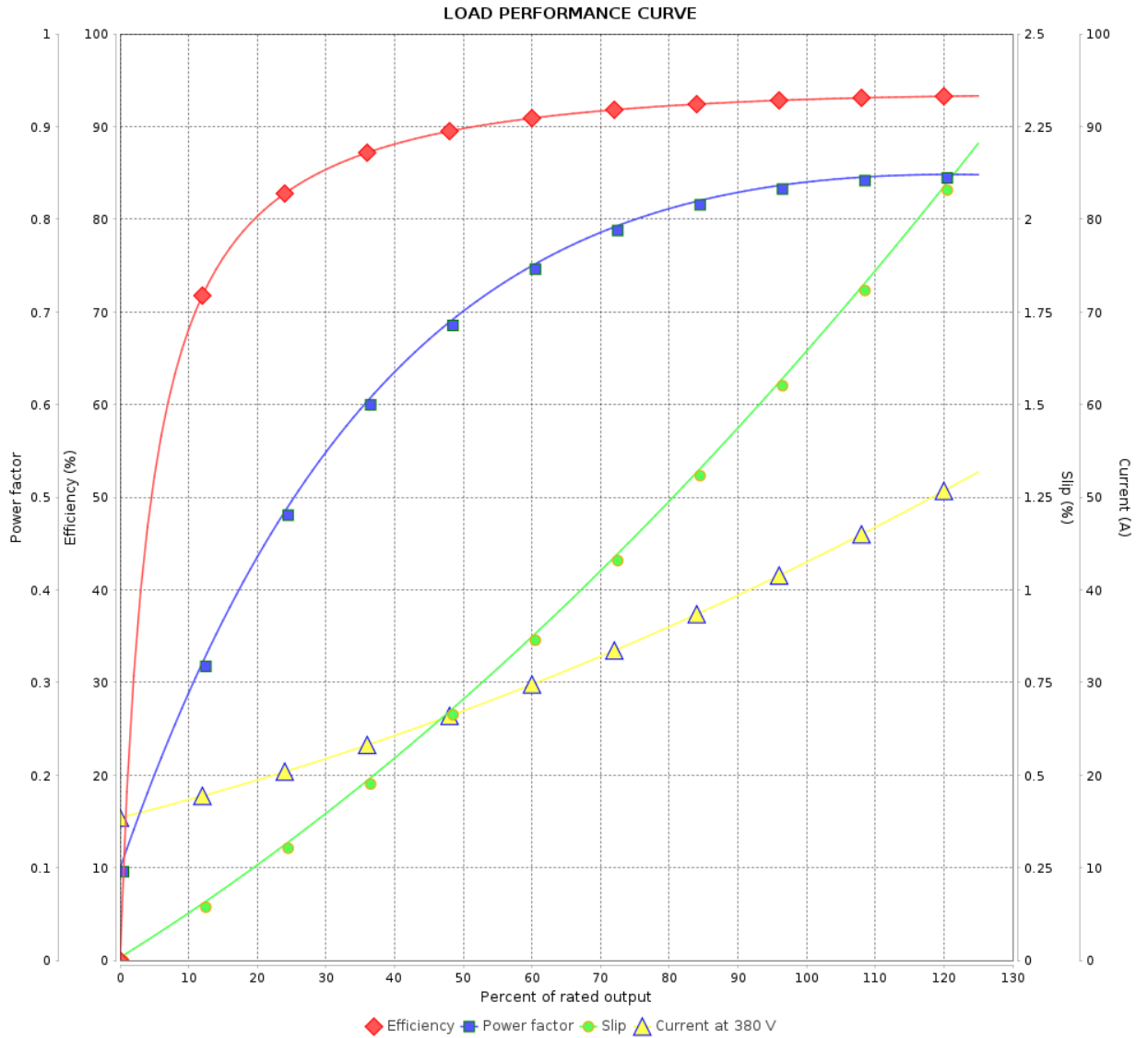
Three Phase Induction Motor - Squirrel Cage



Customer :

Product line : ODP NEMA Premium Efficiency Three-Phase

Product code : 11997391



Rev.	Changes Summary	Performed	Checked	Date
Performed by			Page 3 / 8	Revision
Checked by				
Date				

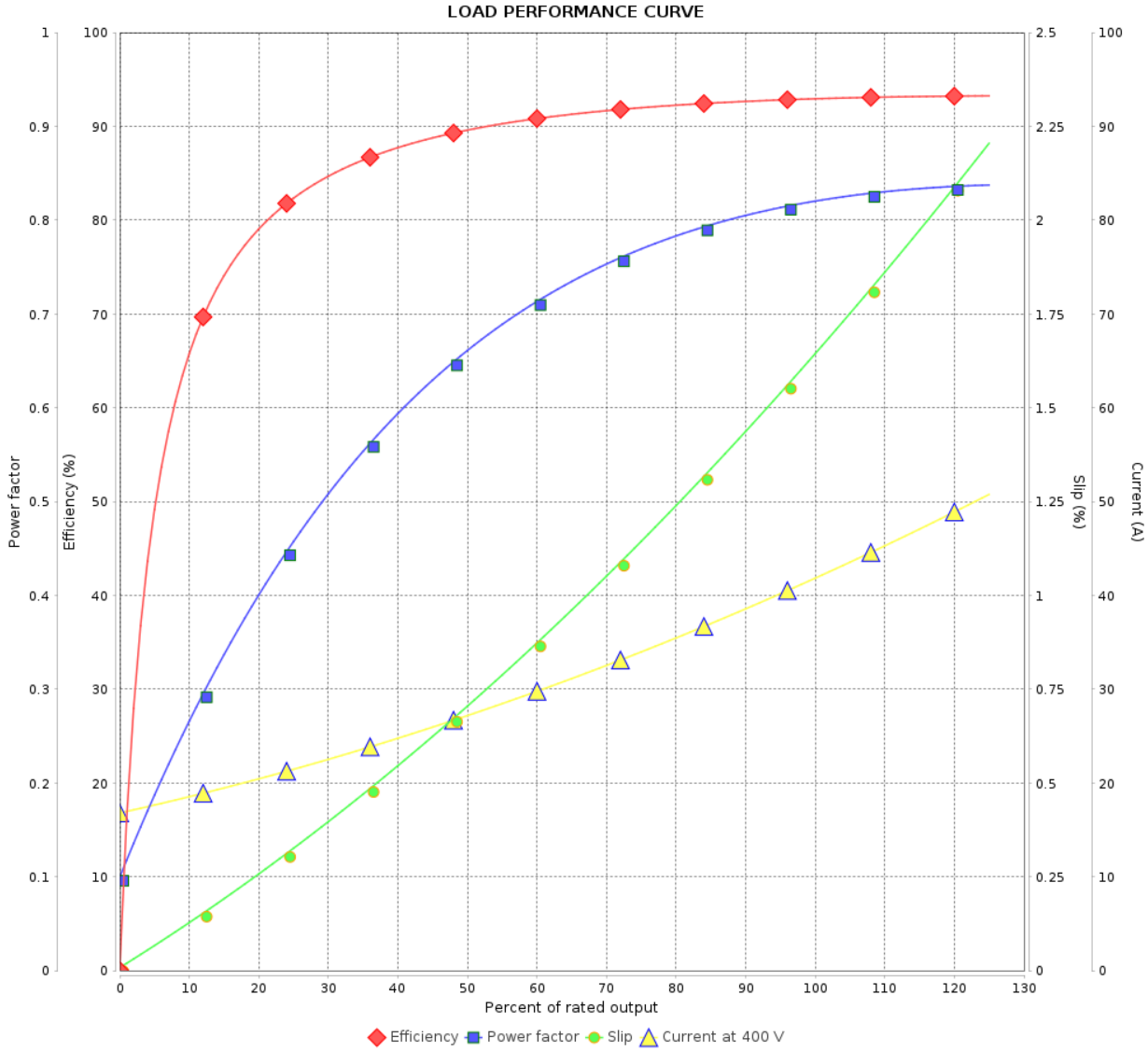
LOAD PERFORMANCE CURVE

Three Phase Induction Motor - Squirrel Cage



Customer :

Product line : ODP NEMA Premium Efficiency Three-Phase Product code : 11997391



Rev.	Changes Summary	Performed	Checked	Date
Performed by			Page 4 / 8	Revision
Checked by				
Date				

LOAD PERFORMANCE CURVE

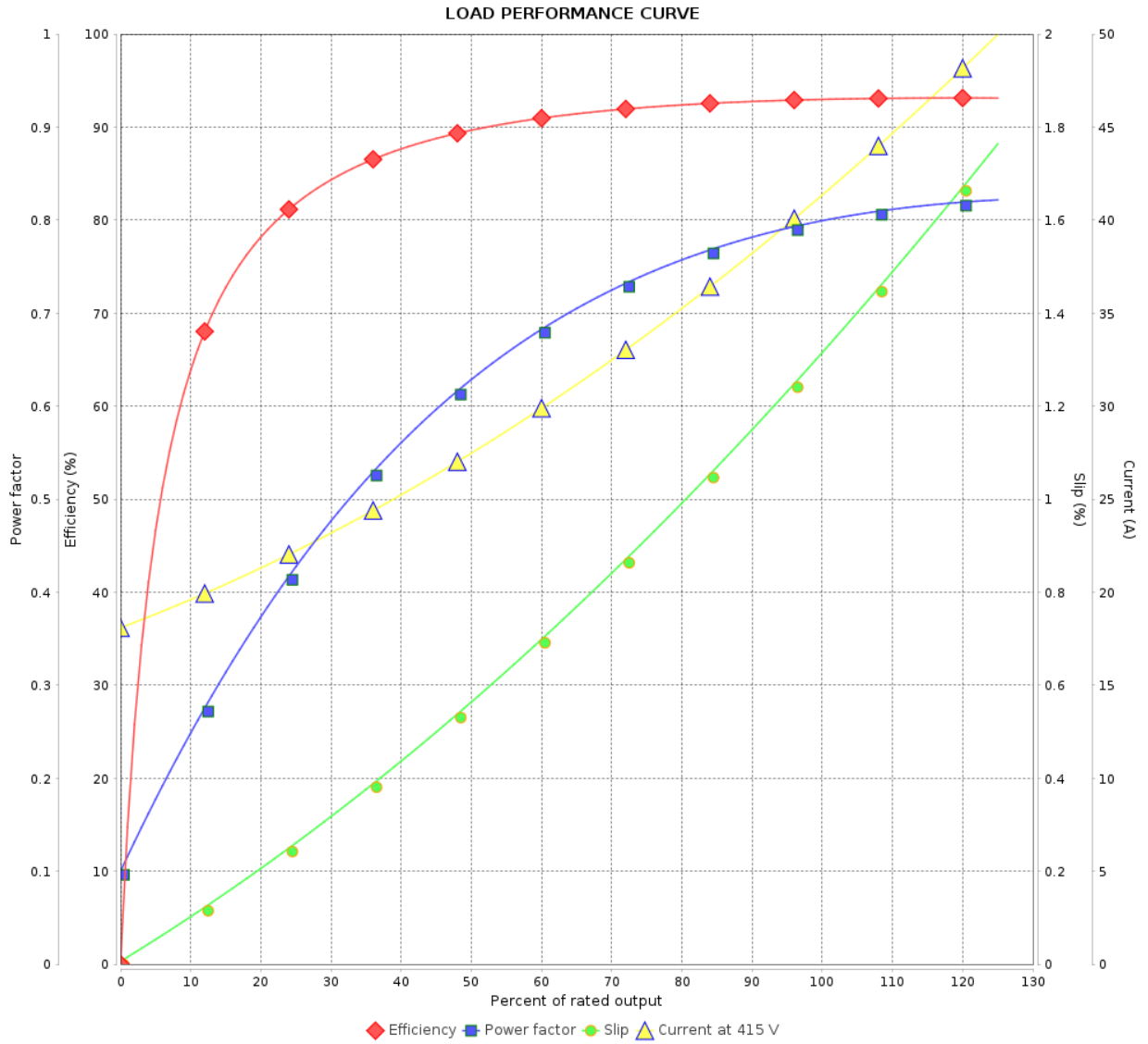
Three Phase Induction Motor - Squirrel Cage



Customer :

Product line : ODP NEMA Premium Efficiency
Three-Phase

Product code : 11997391



Rev.	Changes Summary	Performed	Checked	Date
Performed by		Page 5 / 8		Revision
Checked by				
Date				

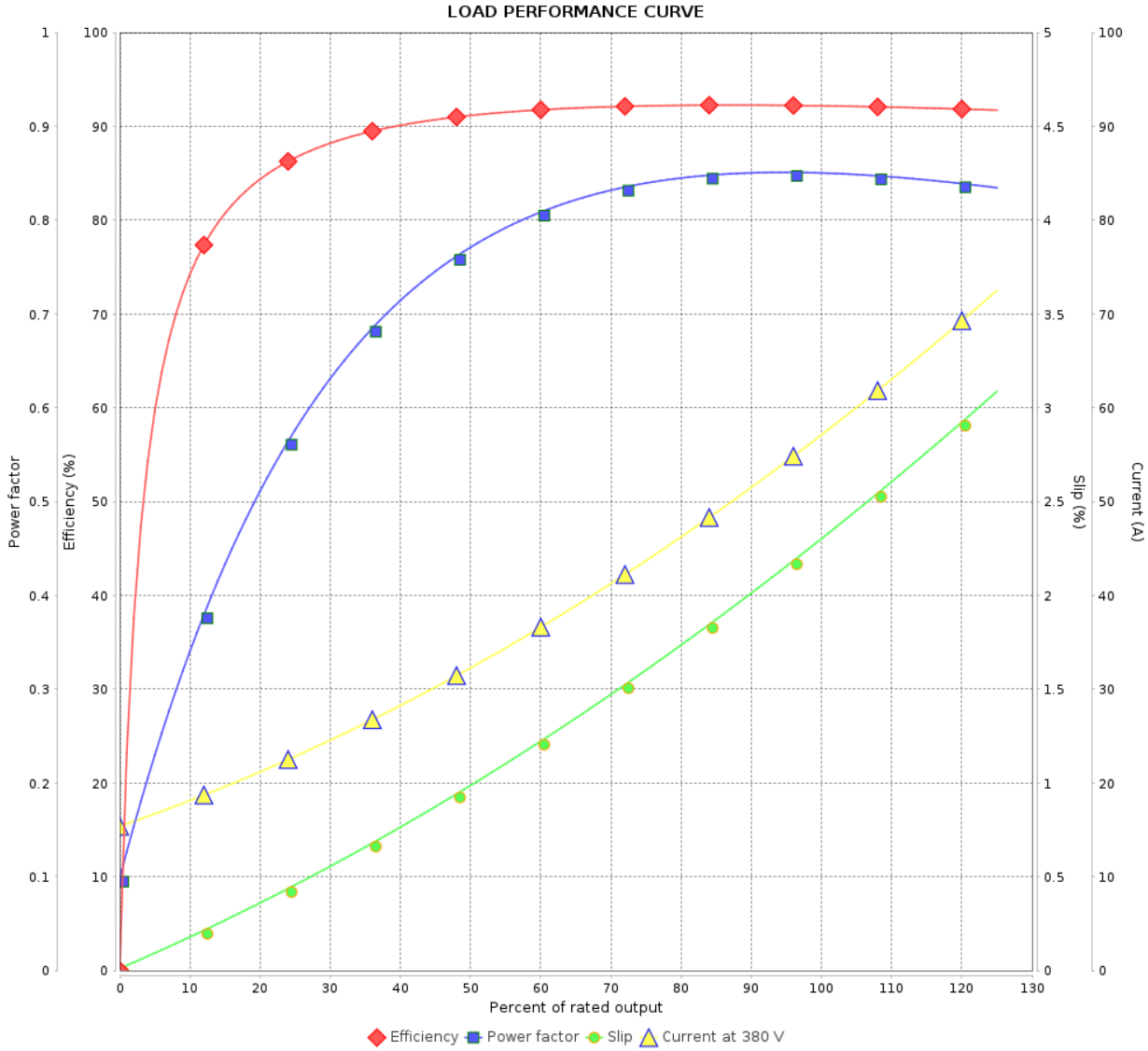
LOAD PERFORMANCE CURVE

Three Phase Induction Motor - Squirrel Cage



Customer :

Product line : ODP NEMA Premium Efficiency Three-Phase Product code : 11997391



Rev.	Changes Summary	Performed	Checked	Date
Performed by			Page 6 / 8	Revision
Checked by				
Date				

LOAD PERFORMANCE CURVE

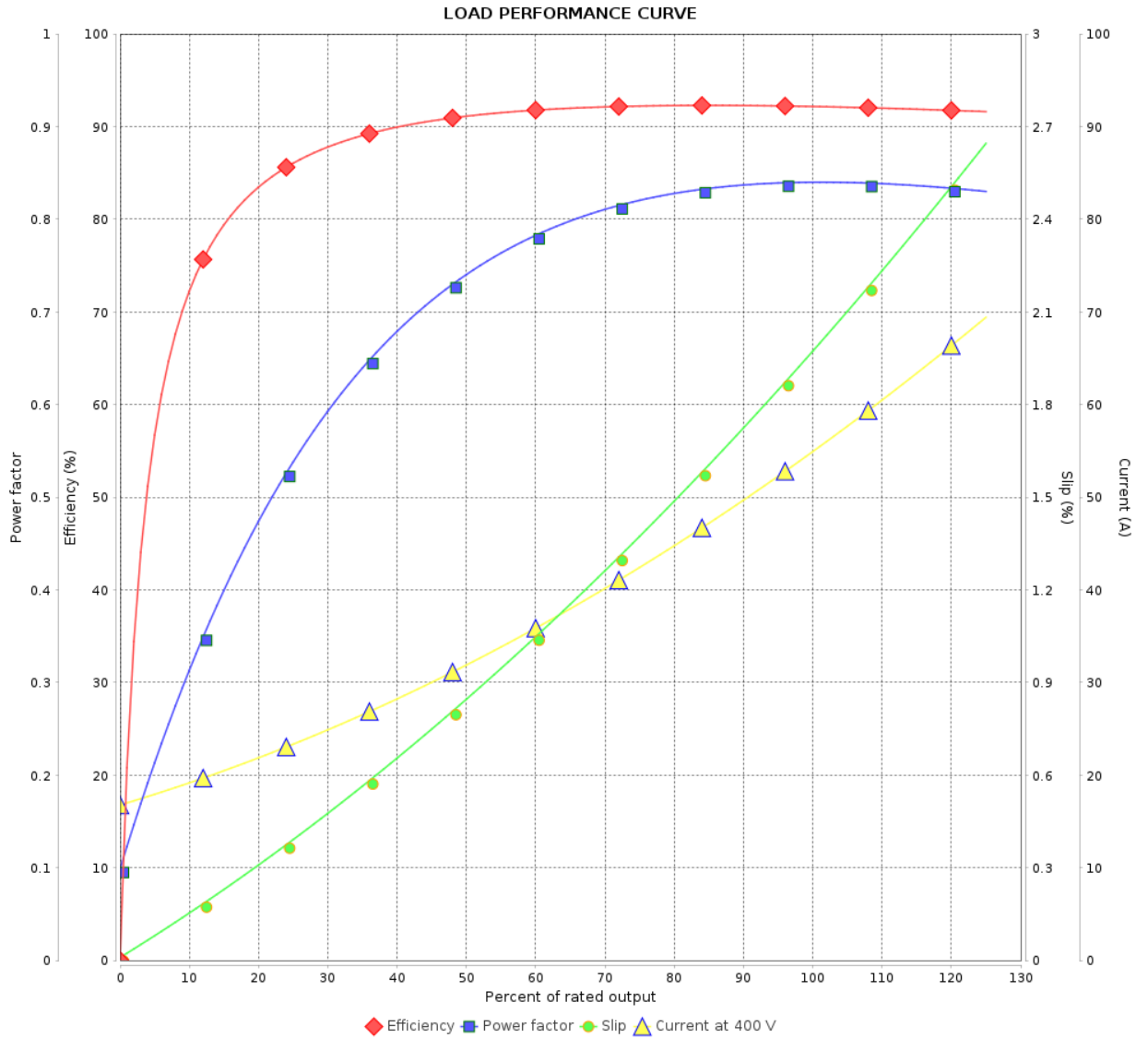
Three Phase Induction Motor - Squirrel Cage



Customer :

Product line : ODP NEMA Premium Efficiency Three-Phase

Product code : 11997391



Rev.	Changes Summary	Performed	Checked	Date
Performed by				
Checked by				
Date				
			Page 7 / 8	Revision

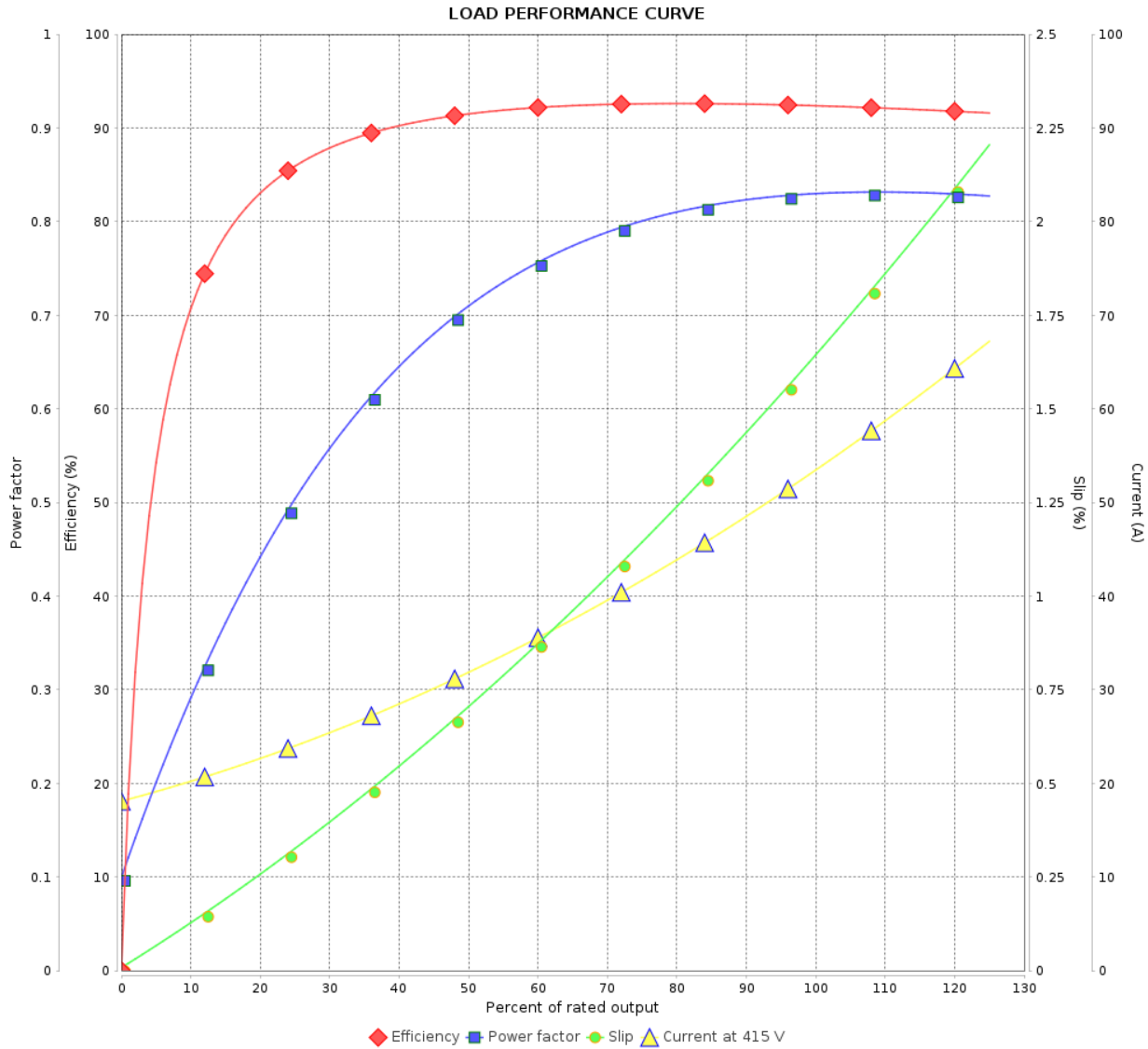
LOAD PERFORMANCE CURVE

Three Phase Induction Motor - Squirrel Cage

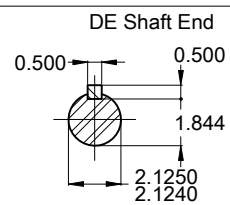
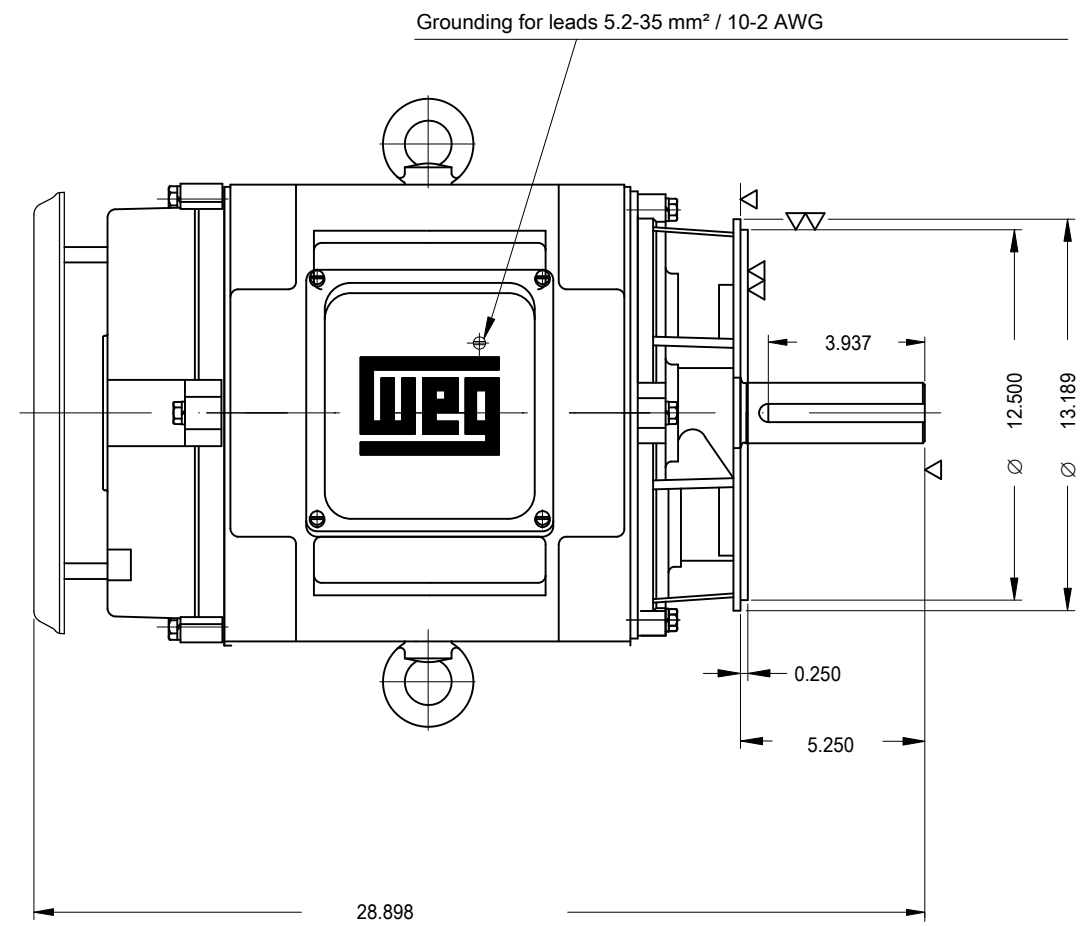
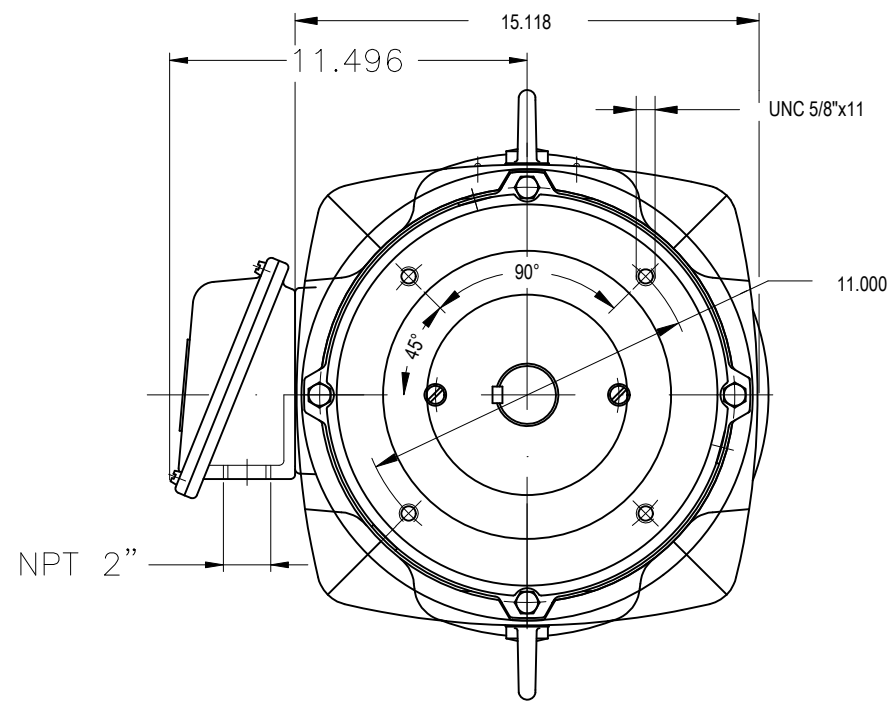


Customer :

Product line : ODP NEMA Premium Efficiency Three-Phase Product code : 11997391



Rev.	Changes Summary	Performed	Checked	Date
Performed by			Page 8 / 8	Revision
Checked by				
Date				



With drip cover
 Color RAL 5009
 Painting plan 203A
 Mounting B14R(D)

40 HP 04 Poles 60 Hz

A

ECM		LOC	SUMMARY OF MODIFICATIONS			HYBRISUSER					00
EXECUTED	HYBRISUSER			THREE PH. MOTOR GENERAL NEMA PREM. EFF.			PREVIEW				
CHECKED		FRAME 324TC IP23 ODP			WDD	00					
RELEASED					SHEET	1 / 1					
REL. DATE		WMO		Jaragua do Sul	Product Engineering						

