

# DATA SHEET

## Three Phase Induction Motor - Squirrel Cage



Customer :				
Product line	: NEMA Premium Efficiency Three-Phase	Product code :	12707693	
Frame	: 254/6T	Cooling method	: IC411 - TEFC	
Insulation class	: F	Mounting	: F-1	
Duty cycle	: Cont.(S1)	Rotation <sup>1</sup>	: Both (CW and CCW)	
Ambient temperature	: -20°C to +40°C	Starting method	: Direct On Line	
Altitude	: 1000 m.a.s.l.	Approx. weight <sup>3</sup>	: 81.0 kg	
Protection degree	: IP55	Moment of inertia (J)	: 0.0367 kgm <sup>2</sup>	
Design	: B			
Output [HP]	15	12.5	12.5	
Poles	2	2	2	
Frequency [Hz]	60	50	50	
Rated voltage [V]	230/460	190/380	220/415	
Rated current [A]	34.8/17.4	35.4/17.7	32.3/17.1	
L. R. Amperes [A]	237/118	244/122	245/130	
LRC [A]	6.8x(Code G)	6.9x(Code H)	7.6x(Code J)	
No load current [A]	13.0/6.50	13.6/6.80	13.9/7.39	
Rated speed [RPM]	3525	2920	2930	
Slip [%]	2.08	2.67	2.33	
Rated torque [kgfm]	3.09	3.11	3.10	
Locked rotor torque [%]	200	190	210	
Breakdown torque [%]	300	290	330	
Service factor	1.15	1.00	1.00	
Temperature rise	80 K	105 K	105 K	
Locked rotor time	25s (cold) 14s (hot)	0s (cold) 0s (hot)	0s (cold) 0s (hot)	
Noise level <sup>2</sup>	75.0 dB(A)	72.0 dB(A)	72.0 dB(A)	
Efficiency (%)	25%	89.2	90.1	
	50%	89.5	90.0	
	75%	91.0	90.7	
	100%	91.0	90.3	
Power Factor	25%	0.47	0.43	
	50%	0.73	0.70	
	75%	0.83	0.81	
	100%	0.87	0.86	
Bearing type	: <u>Drive end</u> 6309 Z C3 <u>Non drive end</u> 6208 Z C3	Foundation loads		
Sealing	: V'Ring Without Bearing Seal	Max. traction	: 120 kgf	
Lubrication interval	: 15797 h 20000 h	Max. compression	: 201 kgf	
Lubricant amount	: 13 g 8 g			
Lubricant type	: Mobil Polyrex EM			
Notes USABLE @208V 38.5A SF 1.00 SFA 38.5A				
This revision replaces and cancel the previous one, which must be eliminated. (1) Looking the motor from the shaft end. (2) Measured at 1m and with tolerance of +3dB(A). (3) Approximate weight subject to changes after manufacturing process. (4) At 100% of full load.		These are average values based on tests with sinusoidal power supply, subject to the tolerances stipulated in NEMA MG-1.		
Rev.	Changes Summary	Performed	Checked	Date
Performed by				
Checked by			Page	Revision
Date	13/05/2022		1 / 4	

# LOAD PERFORMANCE CURVE

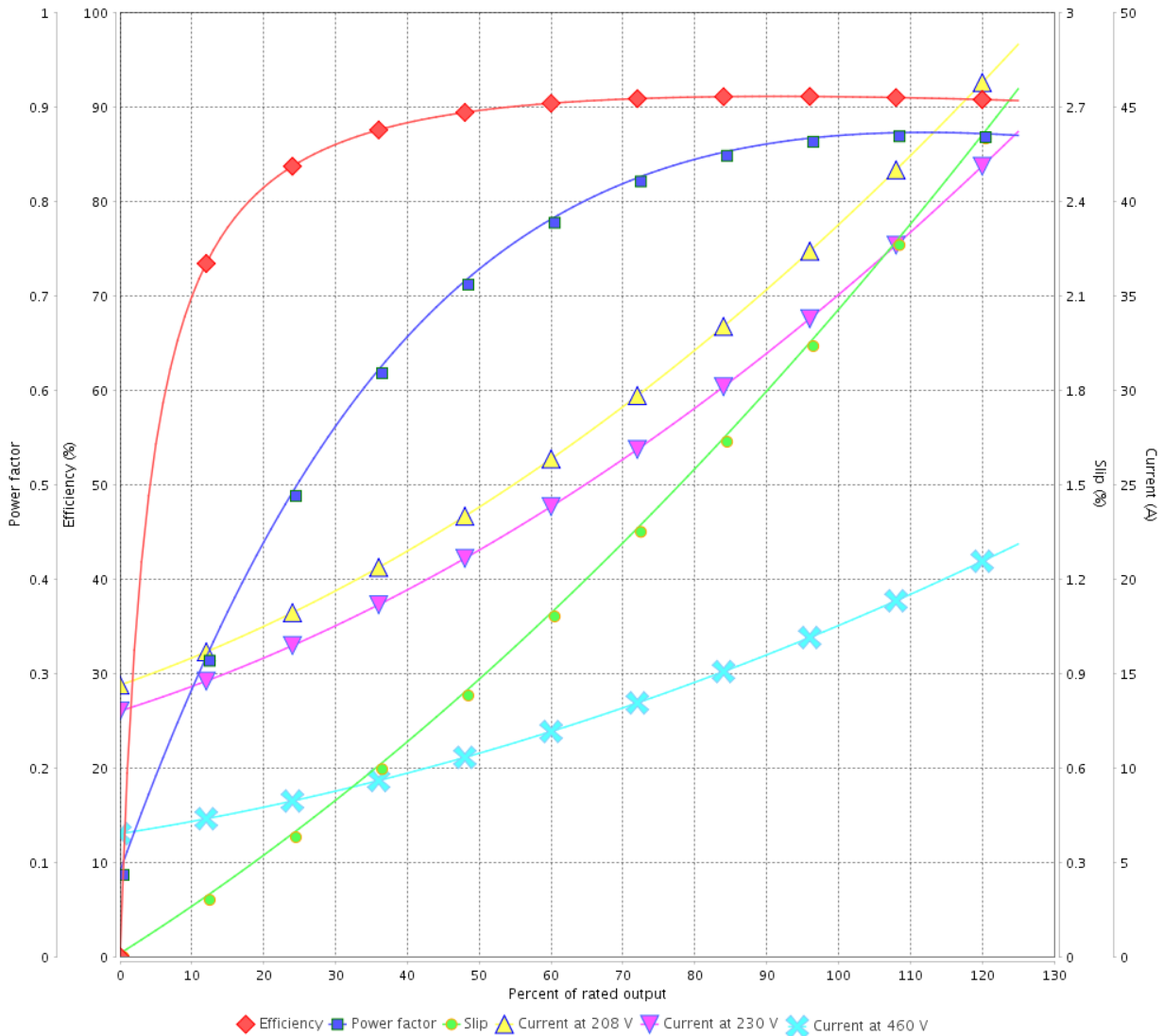
Three Phase Induction Motor - Squirrel Cage



Customer :

Product line : NEMA Premium Efficiency Three-Phase      Product code : 12707693

LOAD PERFORMANCE CURVE



Performance : 230/460 V 60 Hz 2P

Rated current : 34.8/17.4 A  
 LRC : 6.8  
 Rated torque : 3.09 kgfm  
 Locked rotor torque : 200 %  
 Breakdown torque : 300 %  
 Rated speed : 3525 rpm

Moment of inertia (J) : 0.0367 kgm<sup>2</sup>  
 Duty cycle : Cont.(S1)  
 Insulation class : F  
 Service factor : 1.15  
 Temperature rise : 80 K  
 Design : B

Rev.	Changes Summary	Performed	Checked	Date
Performed by			Page	Revision
Checked by				
Date				

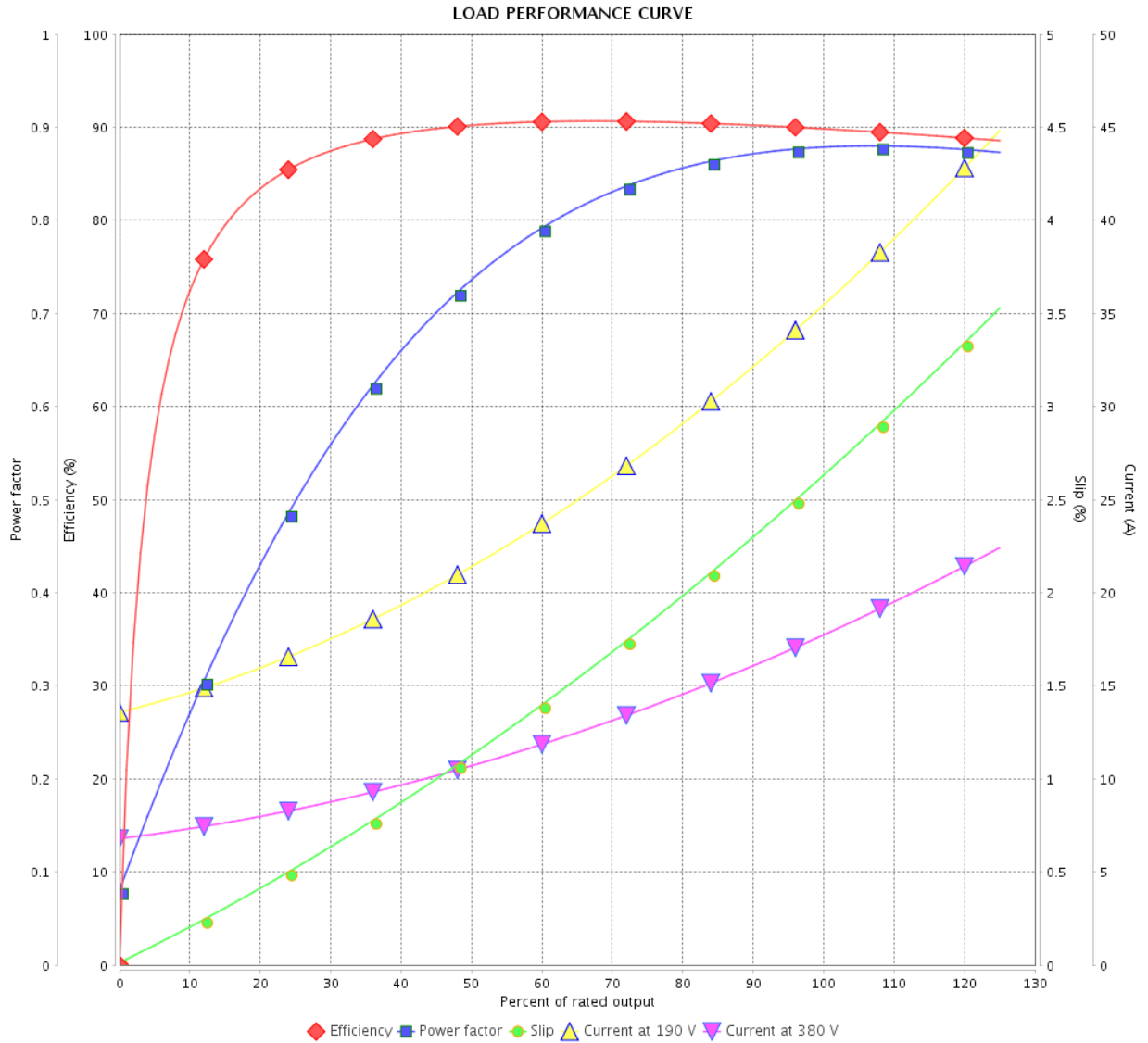
# LOAD PERFORMANCE CURVE

## Three Phase Induction Motor - Squirrel Cage



Customer : \_\_\_\_\_

Product line : NEMA Premium Efficiency Three-Phase      Product code : 12707693



Performance : 190/380 V 50 Hz 2P

Rated current : 35.4/17.7 A  
 LRC : 6.9  
 Rated torque : 3.11 kgfm  
 Locked rotor torque : 190 %  
 Breakdown torque : 290 %  
 Rated speed : 2920 rpm

Moment of inertia (J) : 0.0367 kgm<sup>2</sup>  
 Duty cycle : Cont.(S1)  
 Insulation class : F  
 Service factor : 1.00  
 Temperature rise : 105 K  
 Design : B

Rev.	Changes Summary	Performed	Checked	Date
Performed by		Page		Revision
Checked by		3 / 4		
Date		13/05/2022		

# LOAD PERFORMANCE CURVE

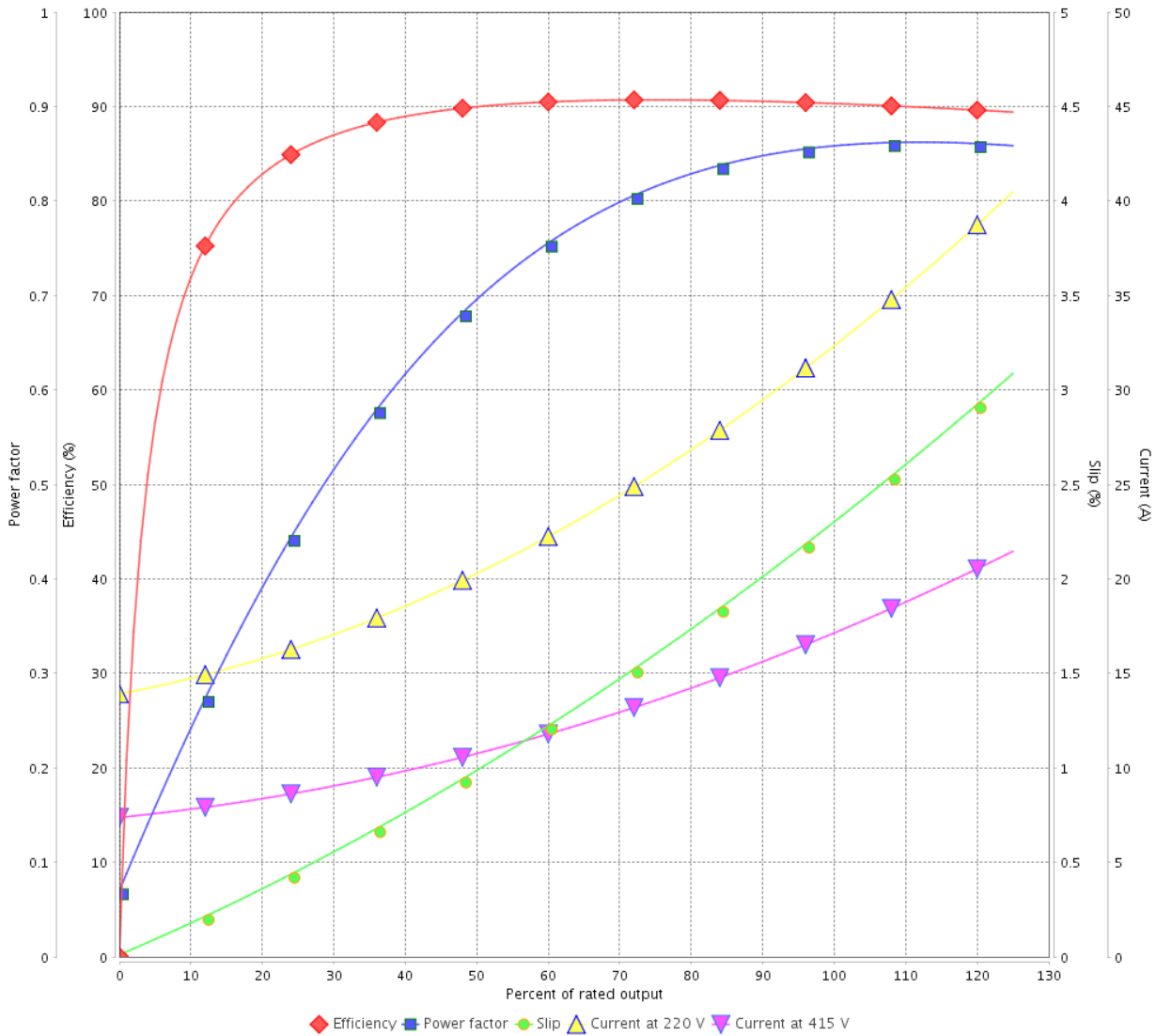
Three Phase Induction Motor - Squirrel Cage



Customer :

Product line : NEMA Premium Efficiency Three-Phase      Product code : 12707693

LOAD PERFORMANCE CURVE



Performance : 220/415 V 50 Hz 2P

Rated current	: 32.3/17.1 A	Moment of inertia (J)	: 0.0367 kgm <sup>2</sup>
LRC	: 7.6	Duty cycle	: Cont.(S1)
Rated torque	: 3.10 kgfm	Insulation class	: F
Locked rotor torque	: 210 %	Service factor	: 1.00
Breakdown torque	: 330 %	Temperature rise	: 105 K
Rated speed	: 2930 rpm	Design	: B

Rev.	Changes Summary	Performed	Checked	Date
Performed by			Page	Revision
Checked by				
Date				

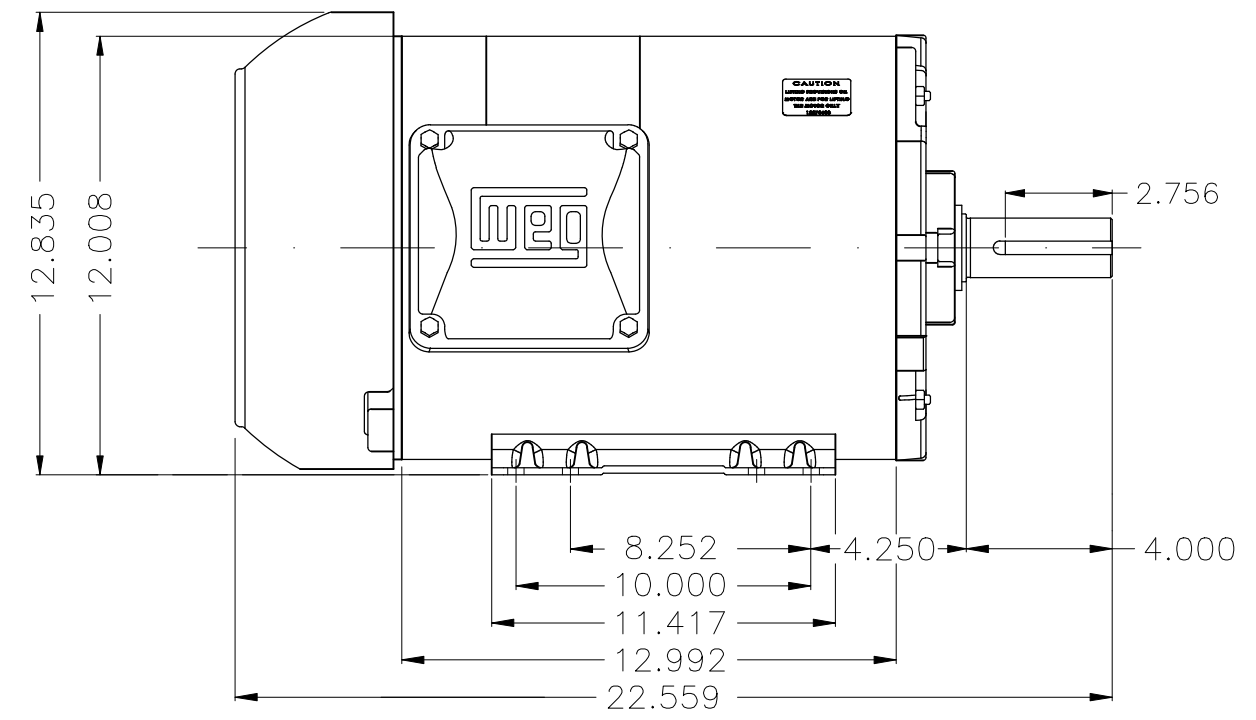
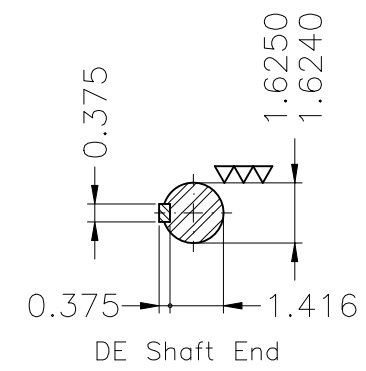
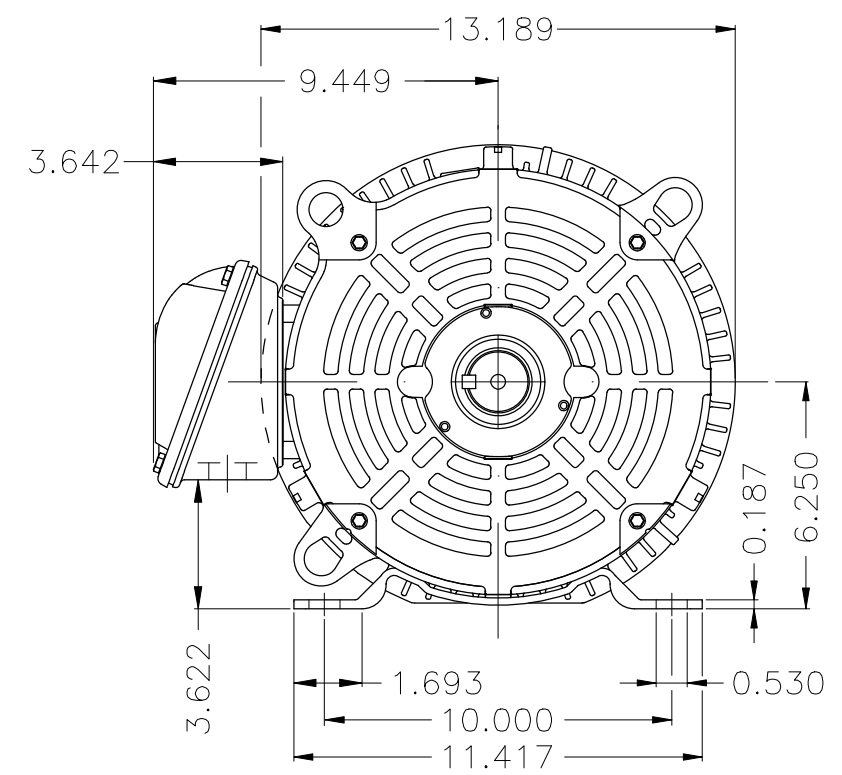
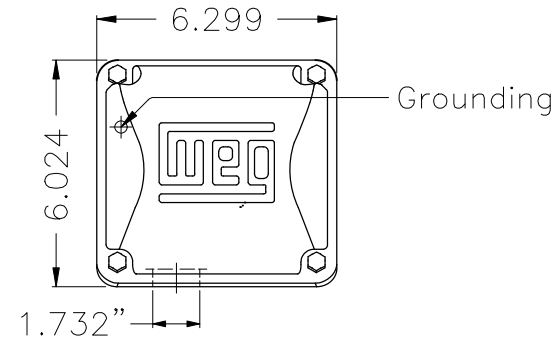
A

B

C

D

E



Color Munsell N 1 matte black  
 Painting plan 207N  
 Mounting F-1/B3R(D)

ECM	LOC	SUMMARY OF MODIFICATIONS	EXECUTED	CHECKED	RELEASED	DATE	VER
EXECUTED	HYBRISUSER	THREE PH. MOTOR ROLLED STEEL NEMA PREM. EFF. FRAME 254/6T IP55 TEFC					
CHECKED							
RELEASED							
REL. DATE	WMO	Jaragua do Sul	Product Engineering	HYBRISUSER			00

15 HP 02 Poles 60 Hz

A

PREVIEW  
 WDD 00  
 SHEET 1 / 1