

DATA SHEET



Three Phase Induction Motor - Squirrel Cage

Customer	:			
Product line	: NEMA Premium Efficiency Three-Phase	Product code : 12675407		
Frame	: 213/5T	Cooling method : IC411 - TEFC		
Insulation class	: F	Mounting : F-1		
Duty cycle	: Cont.(S1)	Rotation ¹ : Both (CW and CCW)		
Ambient temperature	: -20°C to +40°C	Starting method : Direct On Line		
Altitude	: 1000 m.a.s.l.	Approx. weight ³ : 57.9 kg		
Protection degree	: IP55	Moment of inertia (J) : 0.0451 kgm ²		
Design	: B			
Output [HP]		10		
Poles		4		
Frequency [Hz]		60		
Rated voltage [V]		575		
Rated current [A]		9.76		
L. R. Amperes [A]		68.3		
LRC [A]		7.0x(Code H)		
No load current [A]		4.43		
Rated speed [RPM]		1760		
Slip [%]		2.22		
Rated torque [kgfm]		4.12		
Locked rotor torque [%]		250		
Breakdown torque [%]		300		
Service factor		1.15		
Temperature rise		80 K		
Locked rotor time		27s (cold) 15s (hot)		
Noise level ²		60.0 dB(A)		
Efficiency (%)	25%	90.2		
	50%	91.0		
	75%	91.0		
	100%	91.7		
Power Factor	25%	0.41		
	50%	0.67		
	75%	0.78		
	100%	0.84		
Bearing type	: <u>Drive end</u> 6208 ZZ <u>Non drive end</u> 6206 ZZ	Foundation loads		
Sealing	: V'Ring Without Bearing Seal	Max. traction : 200 kgf		
Lubrication interval	: - -	Max. compression : 258 kgf		
Lubricant amount	: - -			
Lubricant type	: Mobil Polyrex EM			
Notes				
This revision replaces and cancel the previous one, which must be eliminated. (1) Looking the motor from the shaft end. (2) Measured at 1m and with tolerance of +3dB(A). (3) Approximate weight subject to changes after manufacturing process. (4) At 100% of full load.		These are average values based on tests with sinusoidal power supply, subject to the tolerances stipulated in NEMA MG-1.		
Rev.	Changes Summary	Performed	Checked	Date
Performed by				
Checked by			Page	Revision
Date	13/05/2022		1 / 2	

LOAD PERFORMANCE CURVE

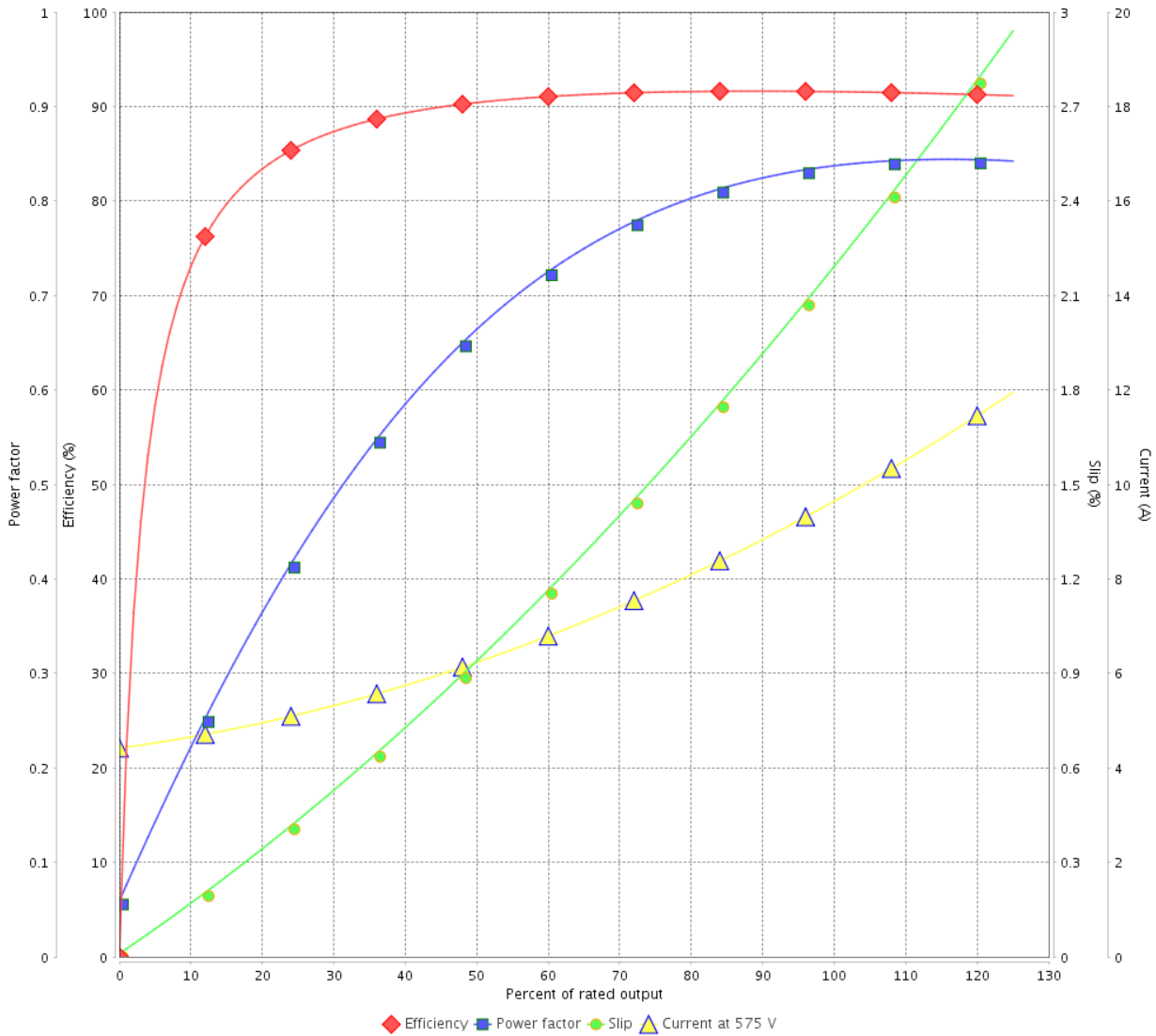
Three Phase Induction Motor - Squirrel Cage



Customer : _____

Product line : NEMA Premium Efficiency Three-Phase Product code : 12675407

LOAD PERFORMANCE CURVE



Performance : 575 V 60 Hz 4P

Rated current	: 9.76 A	Moment of inertia (J)	: 0.0451 kgm ²
LRC	: 7.0	Duty cycle	: Cont.(S1)
Rated torque	: 4.12 kgfm	Insulation class	: F
Locked rotor torque	: 250 %	Service factor	: 1.15
Breakdown torque	: 300 %	Temperature rise	: 80 K
Rated speed	: 1760 rpm	Design	: B

Rev.	Changes Summary	Performed	Checked	Date
Performed by			Page 2 / 2	Revision
Checked by				
Date	13/05/2022			

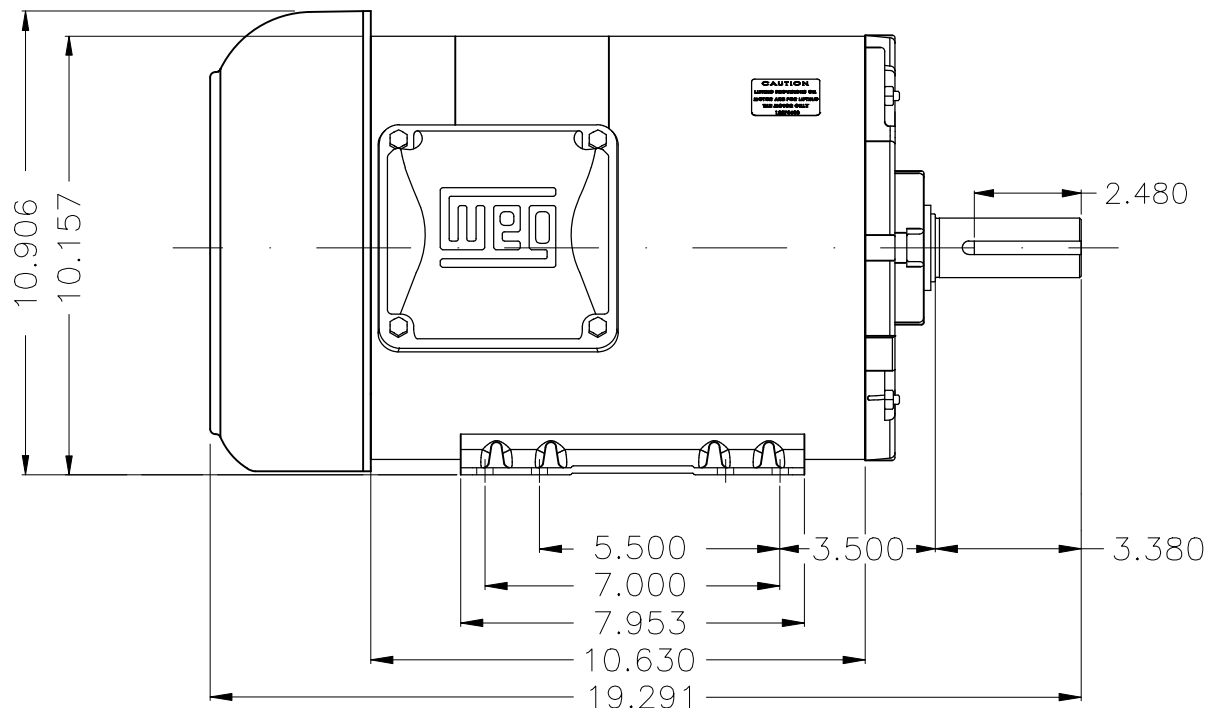
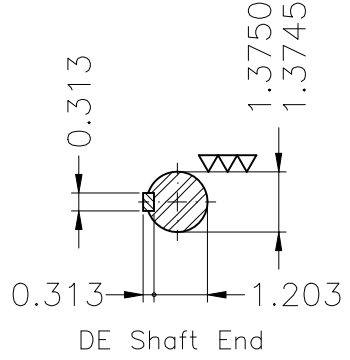
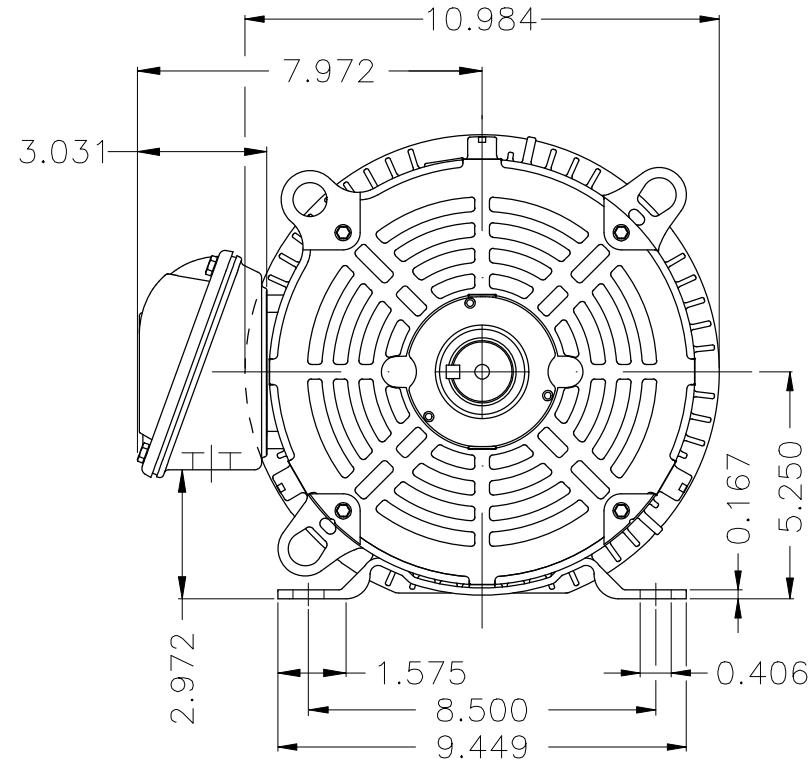
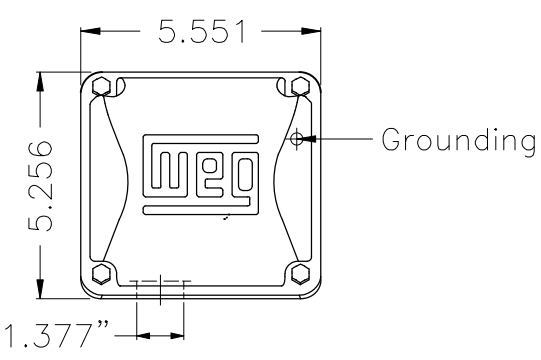
A

B

C

D

E



Color Munsell N 1 matte black											
Painting plan 207N											
Mounting F-1/B3R(D)											
								HYBRISUSER		00	
ECM	LOC	SUMMARY OF MODIFICATIONS					EXECUTED	CHECKED	RELEASED	DATE	VER
EXECUTED	HYBRISUSER	THREE PH. MOTOR ROLLED STEEL NEMA PREM. EFF. FRAME 213/5T IP55 TEFC					PREVIEW				
CHECKED							WDD		00		
RELEASED							SHEET		1 / 1		
REL. DATE	WMO	Jaragua do Sul	Product Engineering								

10 HP 04 Poles 60 Hz

A