

# DATA SHEET

## Three Phase Induction Motor - Squirrel Cage



Customer :				
Product line		: Rolled Steel NEMA Premium Efficiency Three-Phase	Product code :	12675413
Frame	: 213/5T	Cooling method	: IC411 - TEFC	
Insulation class	: F	Mounting	: F-1	
Duty cycle	: Cont.(S1)	Rotation <sup>1</sup>	: Both (CW and CCW)	
Ambient temperature	: -20°C to +40°C	Starting method	: Direct On Line	
Altitude	: 1000 m.a.s.l.	Approx. weight <sup>3</sup>	: 60.6 kg	
Protection degree	: IP55	Moment of inertia (J)	: 0.0455 kgm <sup>2</sup>	
Design	: B			
Output [HP]	3	3	3	
Poles	6	6	6	
Frequency [Hz]	60	50	50	
Rated voltage [V]	230/460	190-220/380	415	
Rated current [A]	8.12/4.06	9.76-8.43/4.88	4.64	
L. R. Amperes [A]	52.8/26.4	50.8-43.8/25.4	28.8	
LRC [A]	6.5x(Code H)	5.2x(Code F)	6.2x(Code H)	
No load current [A]	4.20/2.10	4.20-3.63/2.10	2.30	
Rated speed [RPM]	1180	975	980	
Slip [%]	1.67	2.50	2.00	
Rated torque [kgfm]	1.85	2.23	2.22	
Locked rotor torque [%]	200	140	190	
Breakdown torque [%]	250	190	229	
Service factor	1.15	1.15	1.15	
Temperature rise	80 K	80 K	80 K	
Locked rotor time	82s (cold) 46s (hot)	99s (cold) 55s (hot)	82s (cold) 46s (hot)	
Noise level <sup>2</sup>	55.0 dB(A)	53.0 dB(A)	53.0 dB(A)	
Efficiency (%)	25%			
	50%	85.5	85.0	86.2
	75%	88.5	85.6	86.8
	100%	89.5	85.6	86.8
Power Factor	25%			
	50%	0.60	0.64	0.60
	75%	0.70	0.76	0.70
	100%	0.76	0.80	0.76
Losses at normative operating points (speed;torque), in percentage of rated output power				
Losses (%)	P1 (0,9;1,0)	11.1	16.0	14.4
	P2 (0,5;1,0)	8.9	12.8	11.6
	P3 (0,25;1,0)	8.1	11.6	10.5
	P4 (0,9;0,5)	6.2	8.9	8.0
	P5 (0,5;0,5)	4.2	6.0	5.4
	P6 (0,5;0,25)	3.1	4.5	4.1
	P7 (0,25;0,25)	2.3	3.3	3.0
Bearing type	: Drive end : 6208 ZZ	Non drive end : 6206 ZZ	Foundation loads	
Sealing	: V'Ring	Without Bearing Seal	Max. traction	: 64 kgf
Lubrication interval	: -	-	Max. compression	: 124 kgf
Lubricant amount	: -	-		
Lubricant type	: Mobil Polyrex EM			
This revision replaces and cancel the previous one, which must be eliminated. (1) Looking the motor from the shaft end. (2) Measured at 1m and with tolerance of +3dB(A).		These are average values based on tests with sinusoidal power supply, subject to the tolerances stipulated in NEMA MG-1.		
Rev.	Changes Summary		Performed	Checked
Performed by				
Checked by				
Date	03/06/2026		Page	Revision
			1 / 5	

# DATA SHEET

## Three Phase Induction Motor - Squirrel Cage



Customer : \_\_\_\_\_

Notes  
USABLE @208V 9.22A SF 1.00 SFA 9.22A

Rev.	Changes Summary	Performed	Checked	Date
Performed by				
Checked by			Page	Revision
Date	03/06/2026		2 / 5	

# LOAD PERFORMANCE CURVE

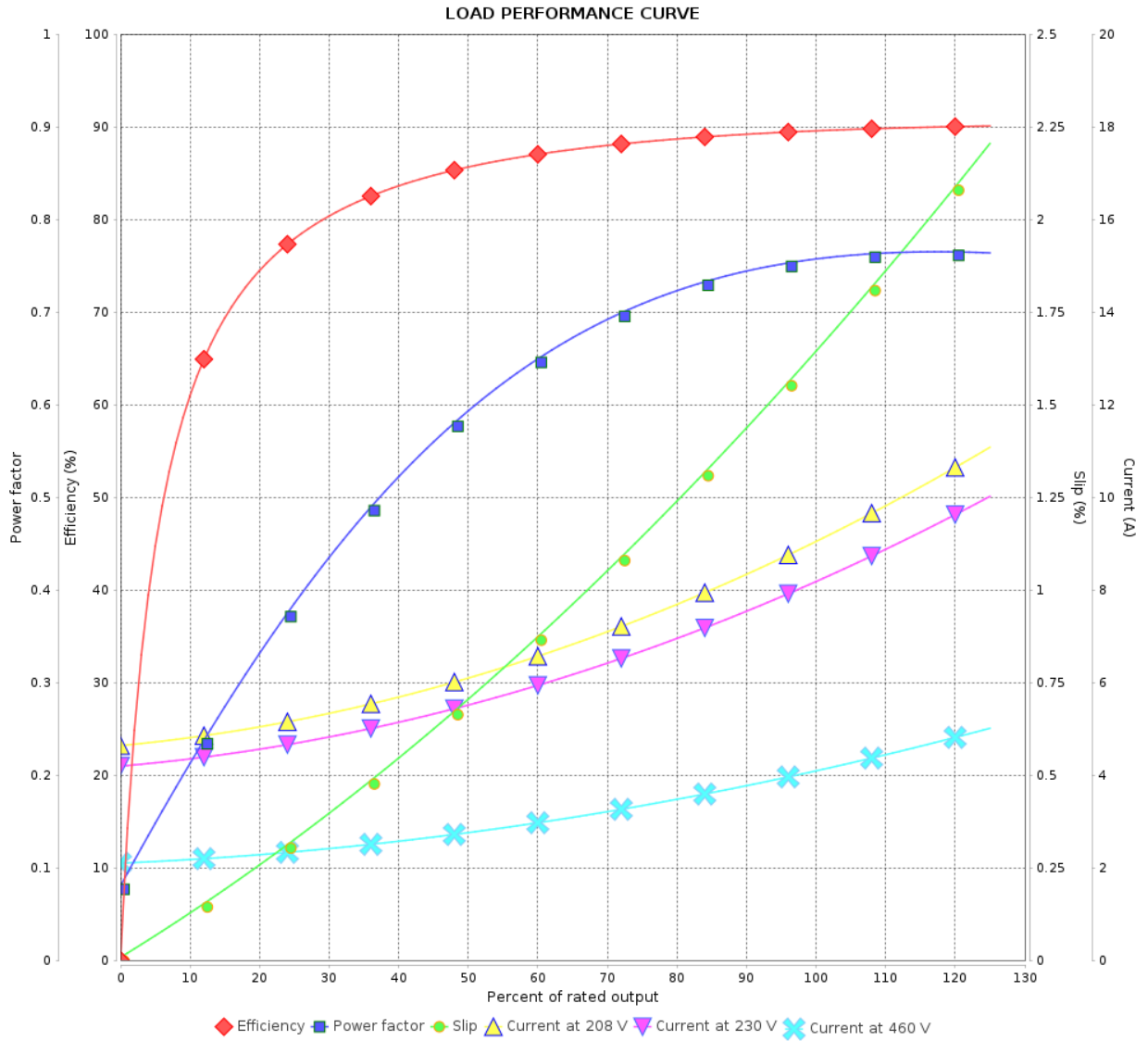
Three Phase Induction Motor - Squirrel Cage



Customer :

Product line : Rolled Steel NEMA Premium Efficiency Three-Phase

Product code : 12675413



Rev.	Changes Summary	Performed	Checked	Date
Performed by			Page 3 / 5	Revision
Checked by				
Date	03/06/2026			

# LOAD PERFORMANCE CURVE

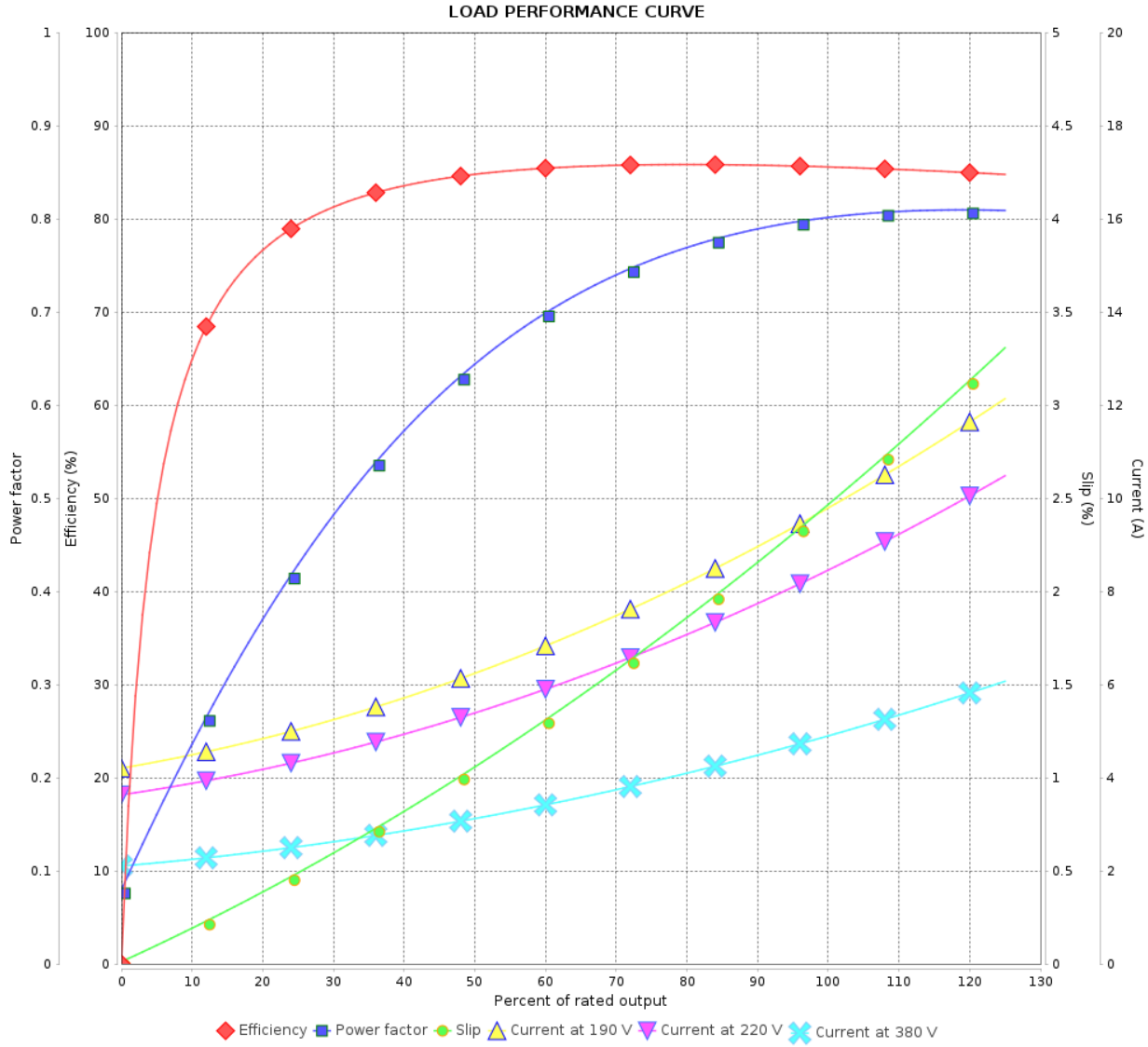
Three Phase Induction Motor - Squirrel Cage



Customer : \_\_\_\_\_

Product line : Rolled Steel NEMA Premium  
Efficiency Three-Phase

Product code : 12675413



Rev.	Changes Summary	Performed	Checked	Date
Performed by			Page 4 / 5	Revision
Checked by				
Date				

# LOAD PERFORMANCE CURVE

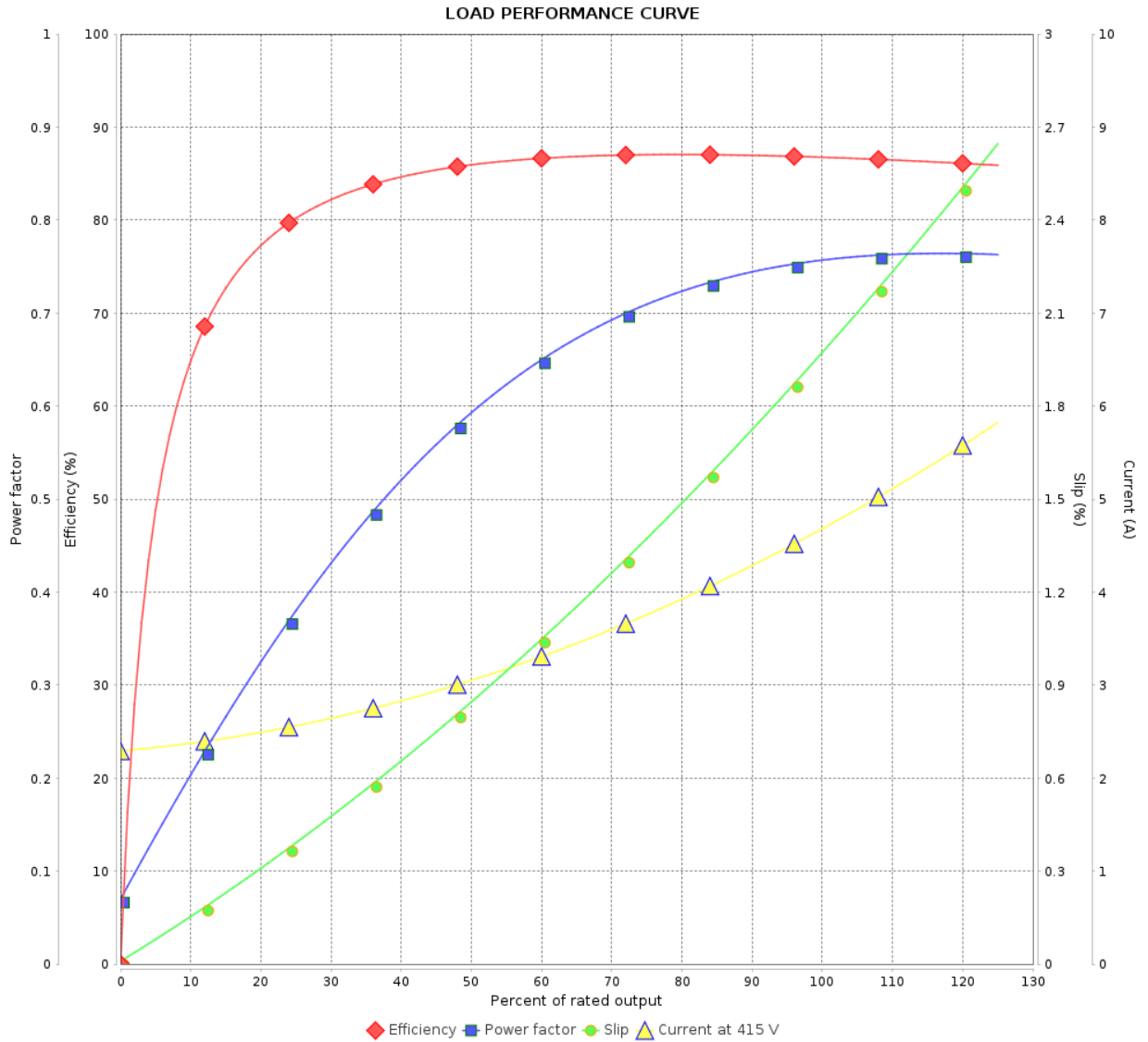
## Three Phase Induction Motor - Squirrel Cage



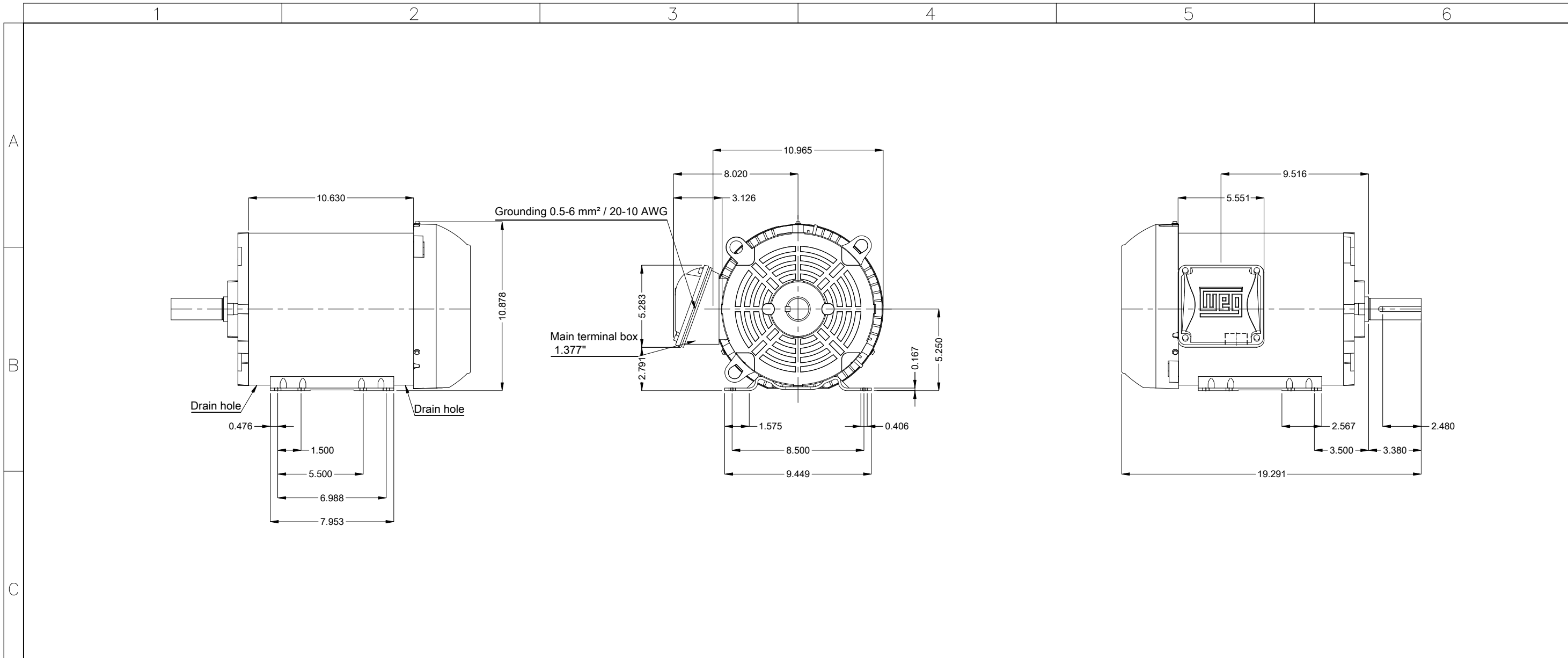
Customer : \_\_\_\_\_

Product line : Rolled Steel NEMA Premium  
Efficiency Three-Phase

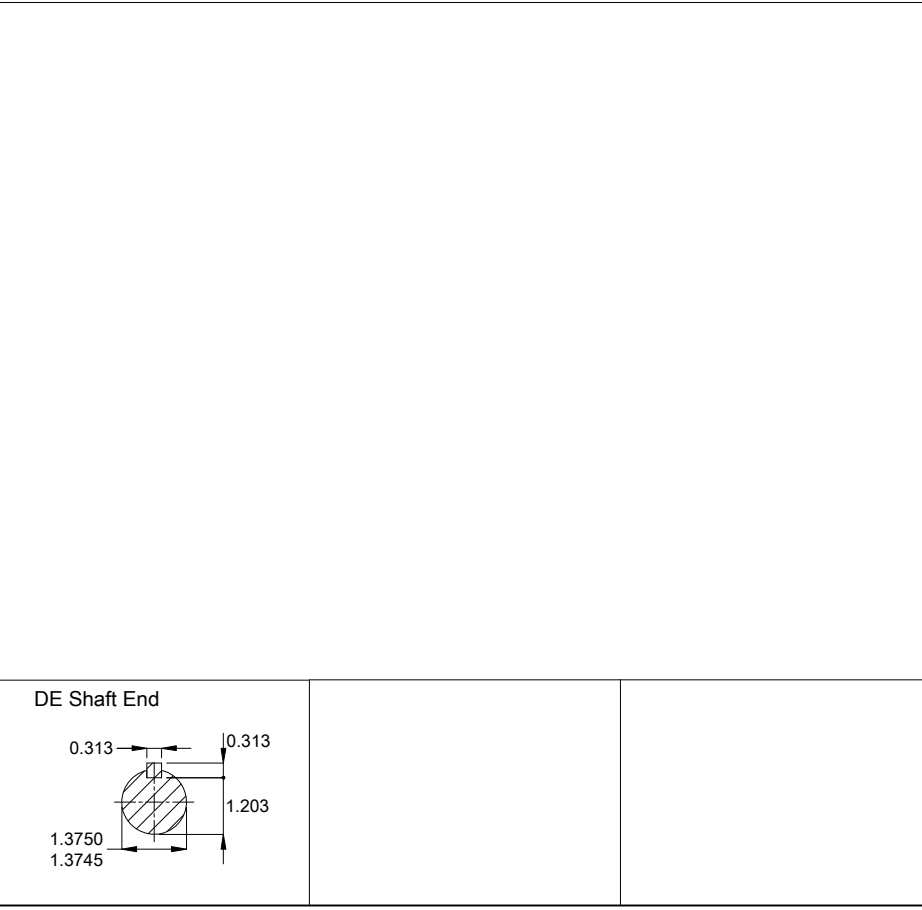
Product code : 12675413



Rev.	Changes Summary	Performed	Checked	Date
Performed by		Page 5 / 5		Revision
Checked by				
Date				



Color Munsell N 1 matte black  
 Painting plan 207N  
 Mounting MARKET F-1/B3R(D)  
 Mounting F-1/B3R(D)



3 HP 06 Poles 60 Hz										A	
Scale										2 : 13	
HYBRISUSER										00	
ECM	LOC	SUMMARY OF MODIFICATIONS					EXECUTED	CHECKED	RELEASED	DATE	VER
EXECUTED	HYBRISUSER	THREE PH. MOTOR ROLLED STEEL NEMA PREM. EFF.					PREVIEW				
CHECKED		FRAME 213/5T IP55 TEFC					WDD	00			
RELEASED							SHEET	1 / 1			
REL. DATE											