

DATA SHEET

Three Phase Induction Motor - Squirrel Cage



Customer :		
Product line	: NEMA Premium Efficiency Three-Phase	
Product code :	12675402	
Frame	: 182/4T	
Insulation class	: F	
Duty cycle	: Cont.(S1)	
Ambient temperature	: -20°C to +40°C	
Altitude	: 1000 m.a.s.l.	
Protection degree	: IP55	
Design	: B	
Cooling method	: IC411 - TEFC	
Mounting	: F-1	
Rotation ¹	: Both (CW and CCW)	
Starting method	: Direct On Line	
Approx. weight ²	: 38.2 kg	
Moment of inertia (J)	: 0.0169 kgm ²	
Output [HP]	3	
Poles	4	
Frequency [Hz]	60	
Rated voltage [V]	230/460	
Rated current [A]	7.62/3.81	
L. R. Amperes [A]	67.1/33.5	
LRC [A]	8.8x(Code K)	
No load current [A]	4.00/2.00	
Rated speed [RPM]	1765	
Slip [%]	1.94	
Rated torque [kgfm]	1.23	
Locked rotor torque [%]	220	
Breakdown torque [%]	300	
Service factor	1.15	
Temperature rise	80 K	
Locked rotor time	32s (cold) 18s (hot)	
Noise level ²	56.0 dB(A)	
Efficiency (%)	25%	86.4
	50%	87.5
	75%	88.5
	100%	89.5
Power Factor	25%	0.36
	50%	0.61
	75%	0.74
	100%	0.81
Bearing type	: <u>Drive end</u> 6206 ZZ <u>Non drive end</u> 6205 ZZ	
Sealing	: V'Ring Without Bearing Seal	
Lubrication interval	: -	
Lubricant amount	: -	
Lubricant type	: Mobil Polyrex EM	
Foundation loads	Max. traction : 71 kgf	
	Max. compression : 109 kgf	
Notes USABLE @208V 8.43A SF 1.00 SFA 8.43A		
This revision replaces and cancel the previous one, which must be eliminated. (1) Looking the motor from the shaft end. (2) Measured at 1m and with tolerance of +3dB(A). (3) Approximate weight subject to changes after manufacturing process. (4) At 100% of full load.		
These are average values based on tests with sinusoidal power supply, subject to the tolerances stipulated in NEMA MG-1.		
Rev.	Changes Summary	
Performed by	Performed	
Checked by	Checked	
Date	13/05/2022	
Page	1 / 4	
Revision		

LOAD PERFORMANCE CURVE

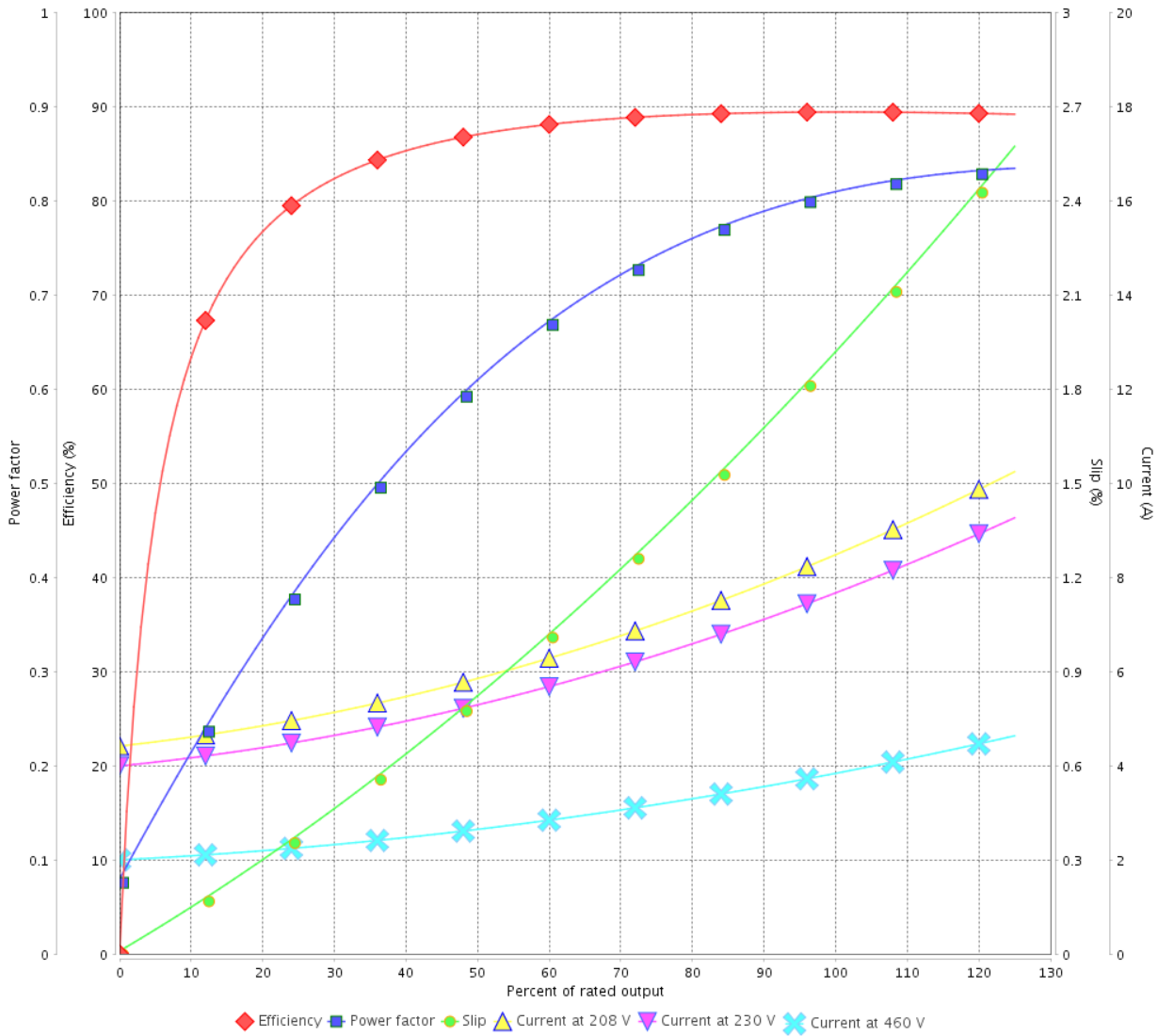
Three Phase Induction Motor - Squirrel Cage



Customer :

Product line : NEMA Premium Efficiency Three-Phase Product code : 12675402

LOAD PERFORMANCE CURVE



Performance : 230/460 V 60 Hz 4P

Rated current : 7.62/3.81 A
 LRC : 8.8
 Rated torque : 1.23 kgfm
 Locked rotor torque : 220 %
 Breakdown torque : 300 %
 Rated speed : 1765 rpm

Moment of inertia (J) : 0.0169 kgm²
 Duty cycle : Cont.(S1)
 Insulation class : F
 Service factor : 1.15
 Temperature rise : 80 K
 Design : B

Rev.	Changes Summary	Performed	Checked	Date
Performed by			Page	Revision
Checked by				
Date				

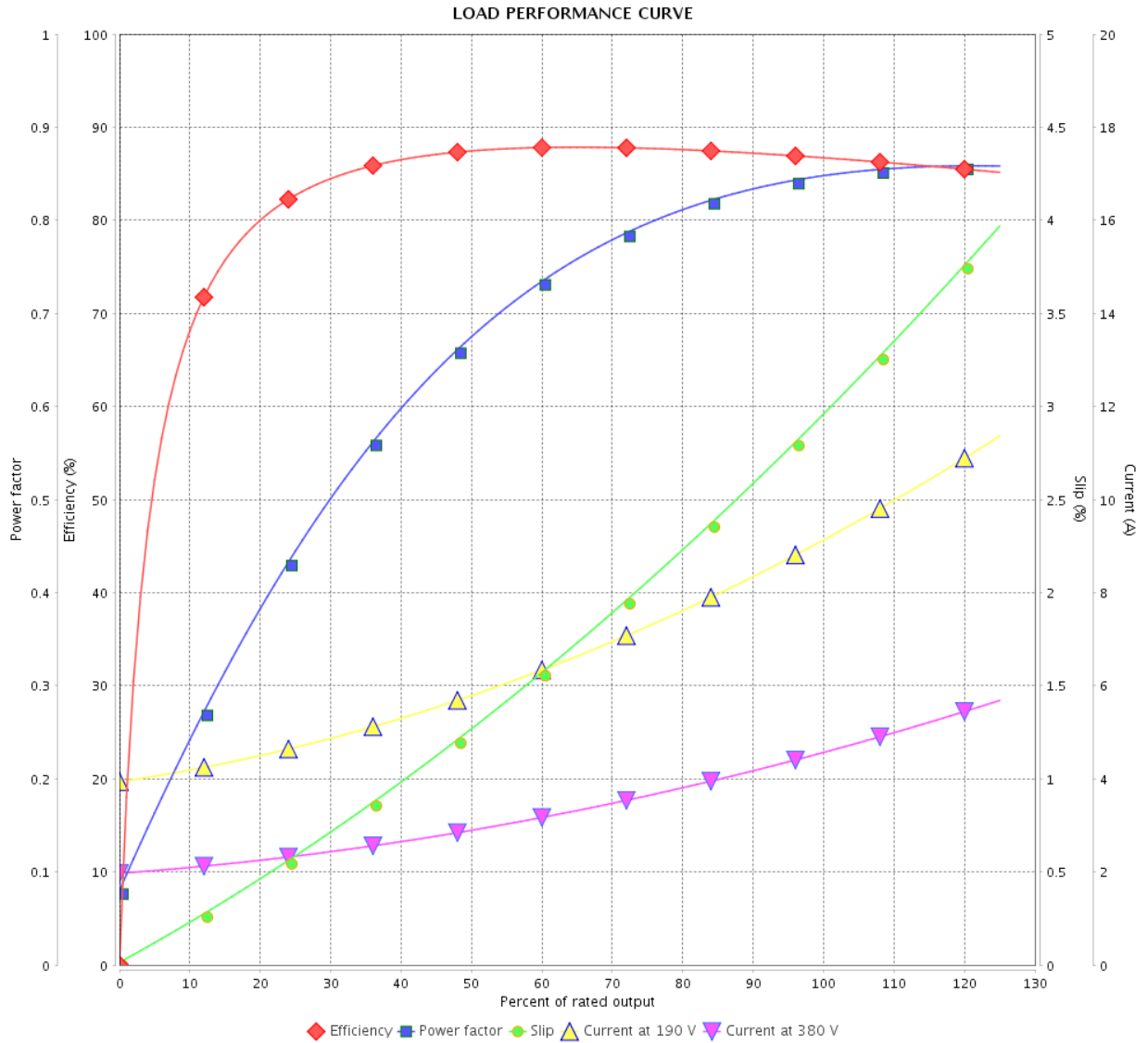
LOAD PERFORMANCE CURVE

Three Phase Induction Motor - Squirrel Cage



Customer : _____

Product line : NEMA Premium Efficiency Three-Phase Product code : 12675402



Performance : 190/380 V 50 Hz 4P

Rated current : 9.08/4.54 A
 LRC : 6.7
 Rated torque : 1.50 kgfm
 Locked rotor torque : 170 %
 Breakdown torque : 260 %
 Rated speed : 1455 rpm

Moment of inertia (J) : 0.0169 kgm²
 Duty cycle : Cont.(S1)
 Insulation class : F
 Service factor : 1.15
 Temperature rise : 80 K
 Design : B

Rev.	Changes Summary	Performed	Checked	Date
Performed by			Page	Revision
Checked by				
Date				

LOAD PERFORMANCE CURVE

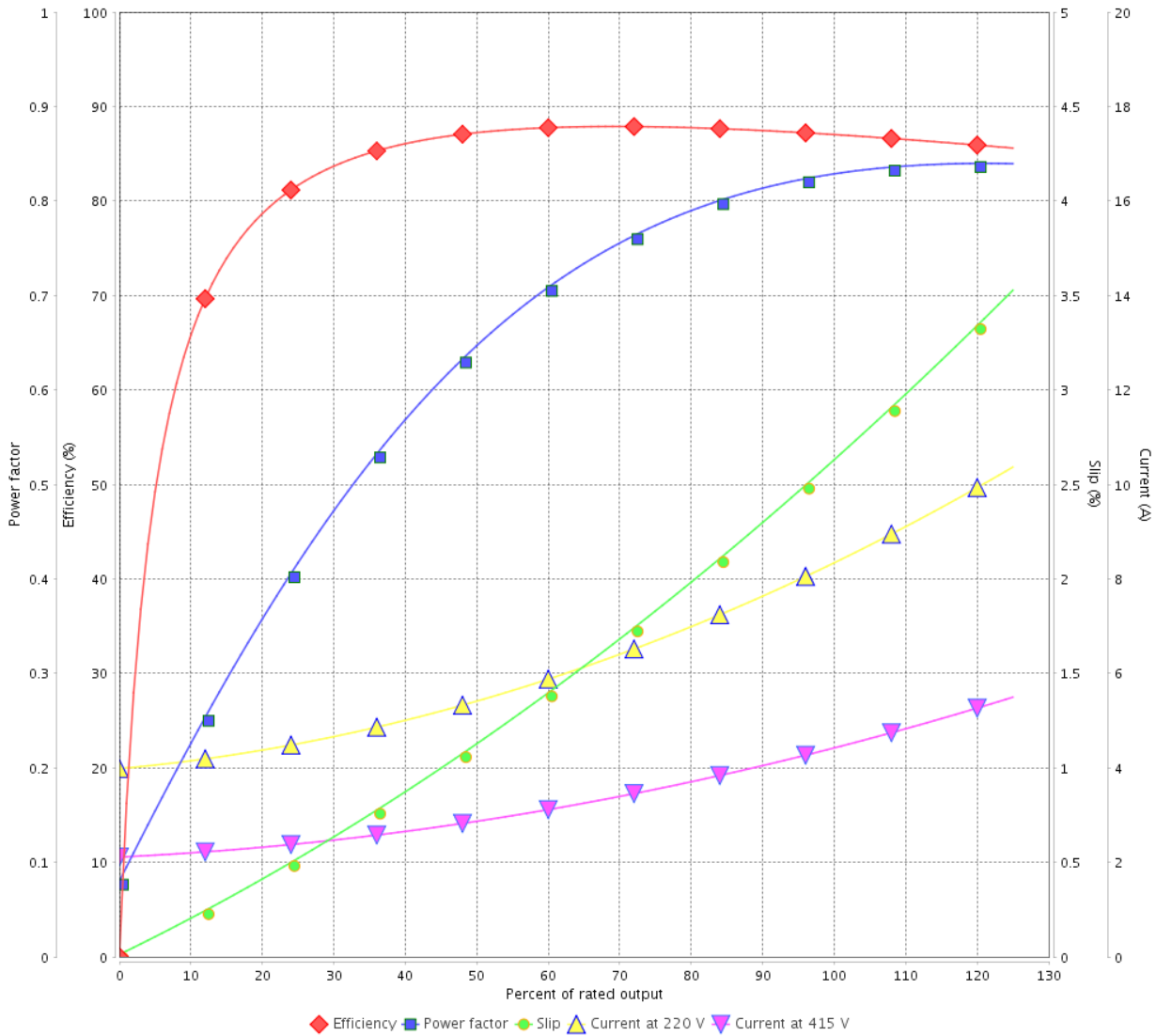
Three Phase Induction Motor - Squirrel Cage



Customer :

Product line : NEMA Premium Efficiency Three-Phase Product code : 12675402

LOAD PERFORMANCE CURVE



Performance : 220/415 V 50 Hz 4P

Rated current : 8.30/4.40 A
 LRC : 7.5
 Rated torque : 1.49 kgfm
 Locked rotor torque : 200 %
 Breakdown torque : 290 %
 Rated speed : 1460 rpm

Moment of inertia (J) : 0.0169 kgm²
 Duty cycle : Cont.(S1)
 Insulation class : F
 Service factor : 1.15
 Temperature rise : 80 K
 Design : B

Rev.	Changes Summary	Performed	Checked	Date
Performed by			Page 4 / 4	Revision
Checked by				
Date	13/05/2022			

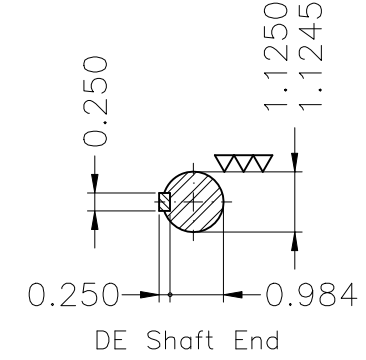
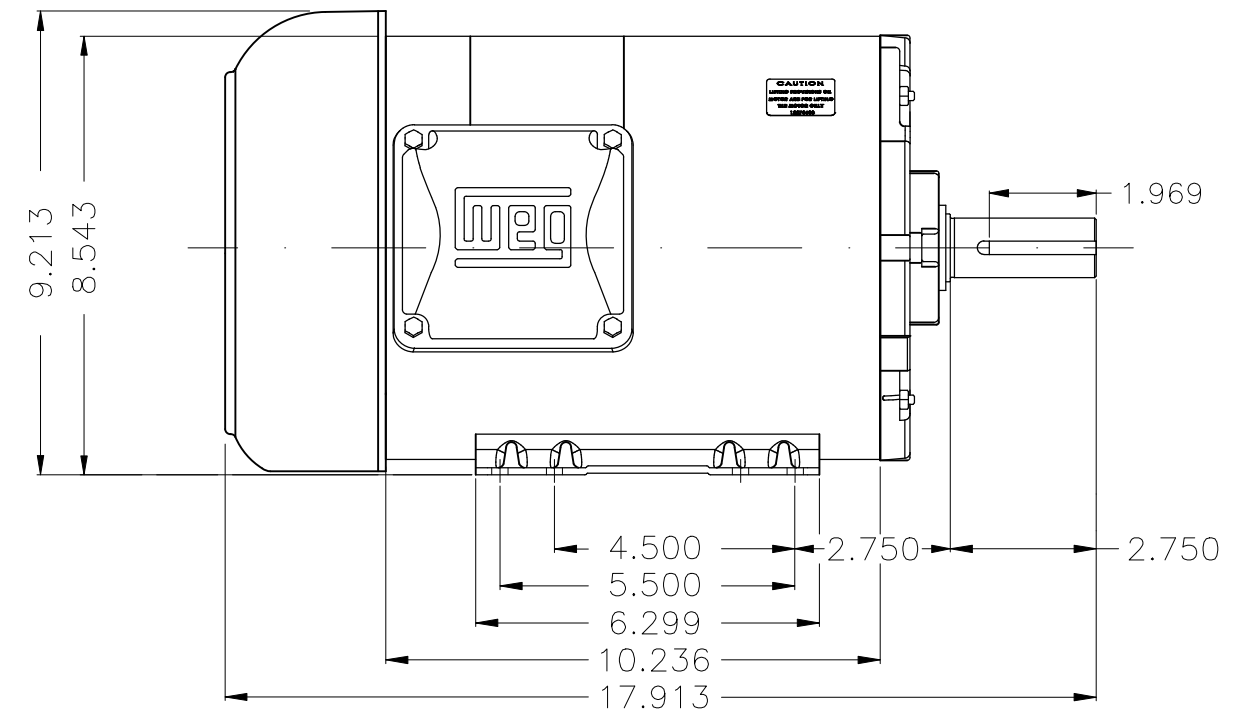
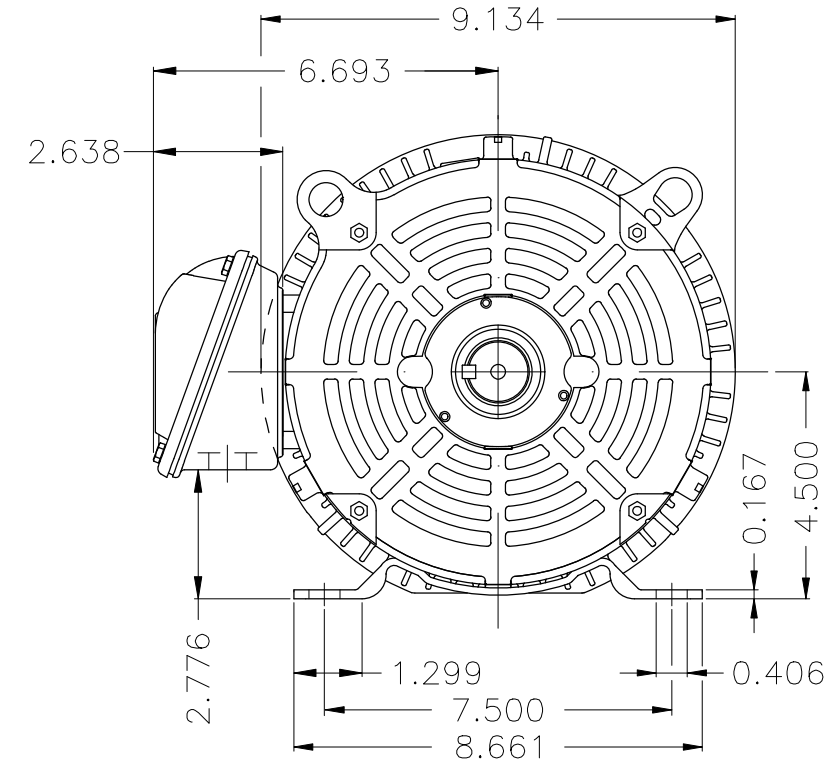
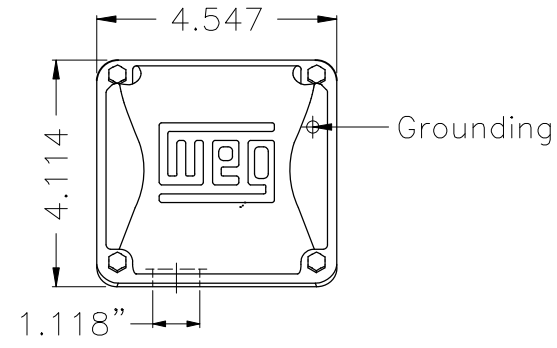
A

B

C

D

E



Color Munsell N 1 matte black
 Painting plan 207N
 Mounting F-1/B3R(D)

								HYBRISUSER						00		
ECM	LOC	SUMMARY OF MODIFICATIONS				EXECUTED	CHECKED	RELEASED	DATE	VER						
EXECUTED	HYBRISUSER	THREE PH. MOTOR ROLLED STEEL NEMA PREM. EFF.										PREVIEW				
CHECKED		FRAME 182/4T IP55 TEFC										WDD		00		
RELEASED												SHEET		1 / 1		
REL. DATE		WMO	Jaragua do Sul	Product Engineering												

3 HP 04 Poles 60 Hz

A

