

DATA SHEET



Single Phase Induction Motor - Squirrel Cage

Customer :					
Product line		: Farm Duty Single-Phase		Product code : 12992537	
Frame	: G145TC		Locked rotor time	: 10s (cold) 6s (hot)	
Output	: 1.5 HP (1.1 kW)		Temperature rise	: 80 K	
Poles	: 4		Duty cycle	: Cont.(S1)	
Frequency	: 60 Hz		Ambient temperature	: -20°C to +40°C	
Rated voltage	: 115/230 V		Altitude	: 1000 m.a.s.l.	
Rated current	: 17.4/8.70 A		Protection degree	: IP55	
L. R. Amperes	: 113/56.5 A		Cooling method	: IC411 - TEFC	
LRC	: 6.5x(Code K)		Mounting	: F-1	
No load current	: 11.8/5.90 A		Rotation ¹	: Both (CW and CCW)	
Rated speed	: 1750 rpm		Noise level ²	: 55.0 dB(A)	
Slip	: 2.78 %		Starting method	: Direct On Line	
Rated torque	: 0.622 kgfm		Approx. weight ³	: 25.2 kg	
Locked rotor torque	: 280 %				
Breakdown torque	: 260 %				
Insulation class	: B				
Service factor	: 1.15				
Moment of inertia (J)	: 0.0082 kgm ²				
Output	50%	75%	100%	Foundation loads	
Efficiency (%)	70.0	75.0	76.5	Max. traction : 39 kgf	
Power Factor	0.52	0.64	0.72	Max. compression : 64 kgf	
		<u>Drive end</u>		<u>Non drive end</u>	
Bearing type	:	6205 ZZ		6203 ZZ	
Sealing	:	V'Ring		V'Ring	
Lubrication interval	:	-		-	
Lubricant amount	:	-		-	
Lubricant type	:	Mobil Polyrex EM			
Notes					
<p>This revision replaces and cancel the previous one, which must be eliminated.</p> <p>(1) Looking the motor from the shaft end.</p> <p>(2) Measured at 1m and with tolerance of +3dB(A).</p> <p>(3) Approximate weight subject to changes after manufacturing process.</p> <p>(4) At 100% of full load.</p>			<p>These are average values based on tests with sinusoidal power supply, subject to the tolerances stipulated in NEMA MG-1.</p>		
Rev.	Changes Summary		Performed	Checked	Date
Performed by					
Checked by				Page	Revision
Date	20/10/2024			1 / 2	

LOAD PERFORMANCE CURVE

Single Phase Induction Motor - Squirrel Cage

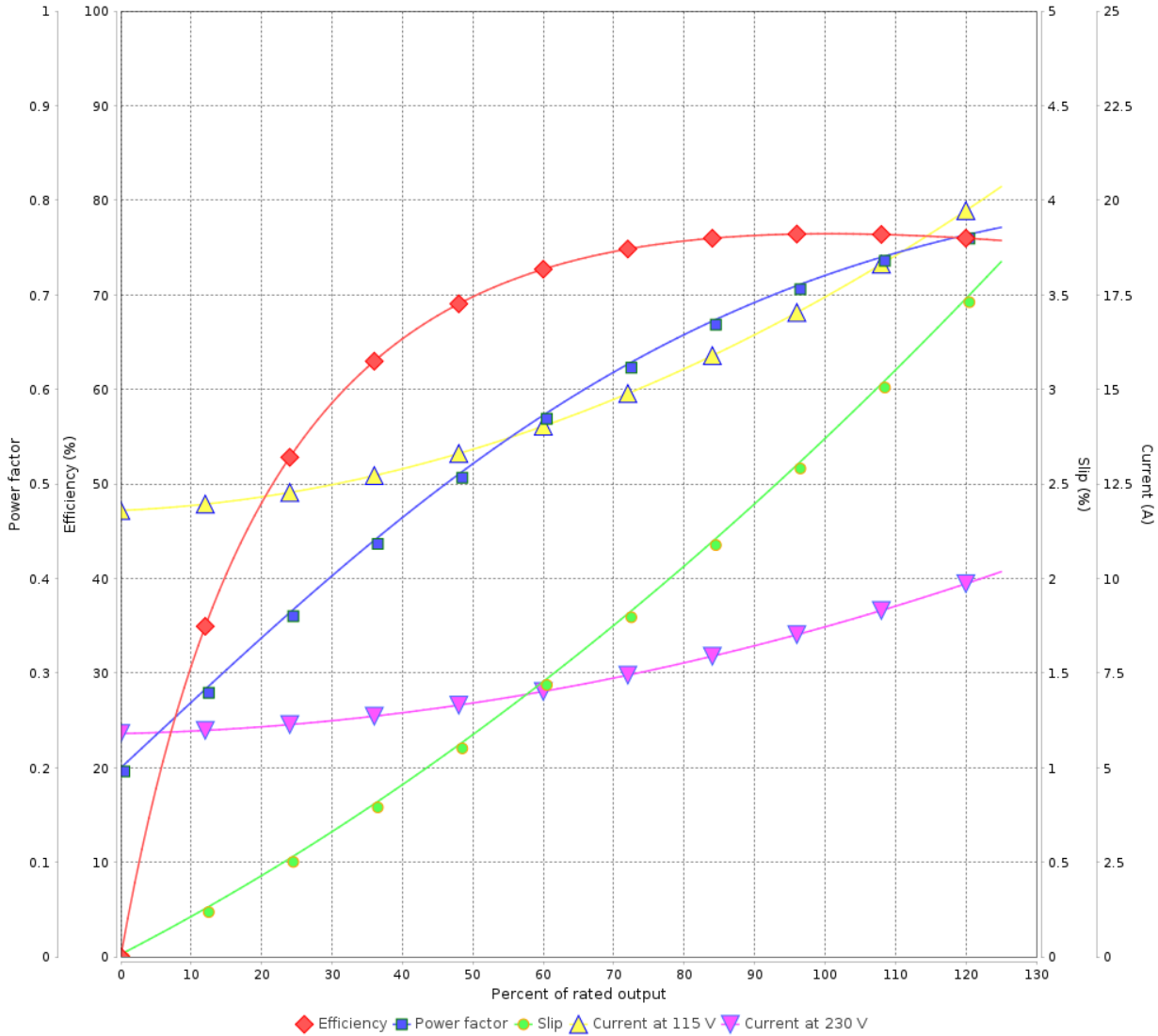


Customer :

Product line : Farm Duty Single-Phase

Product code : 12992537

LOAD PERFORMANCE CURVE

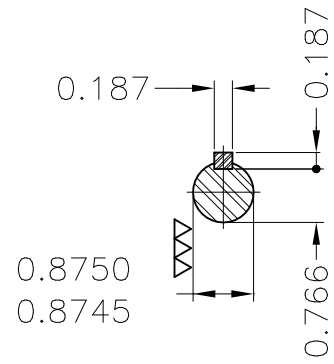
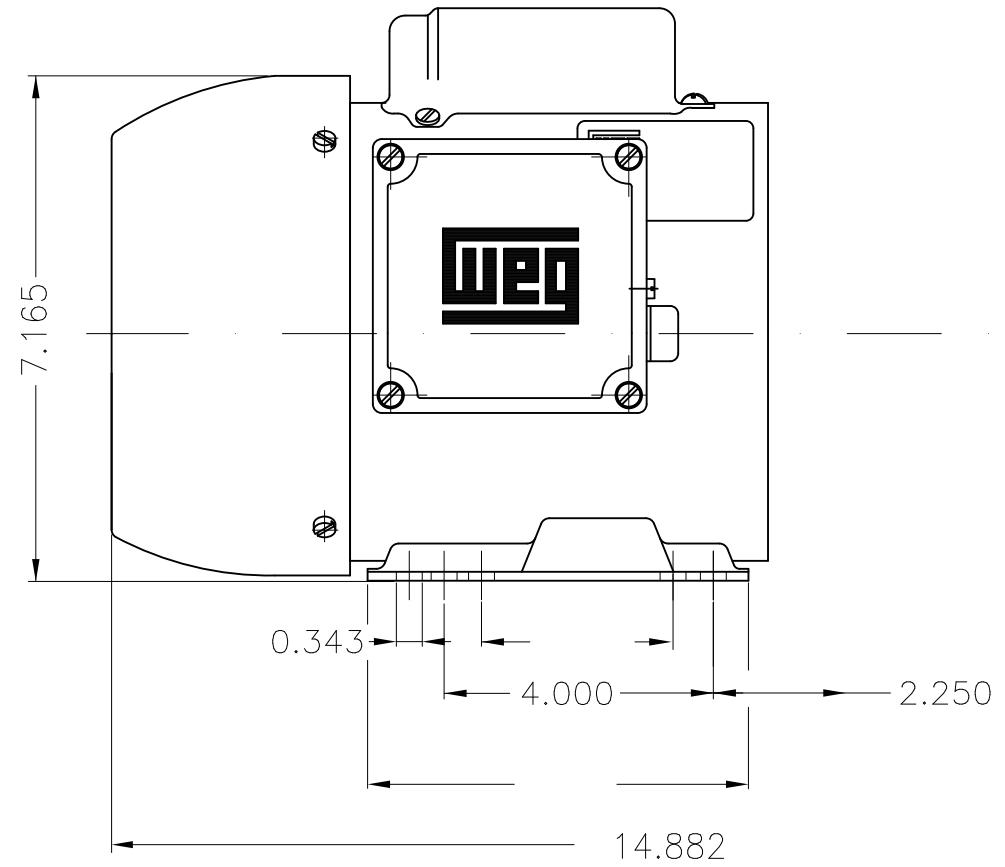
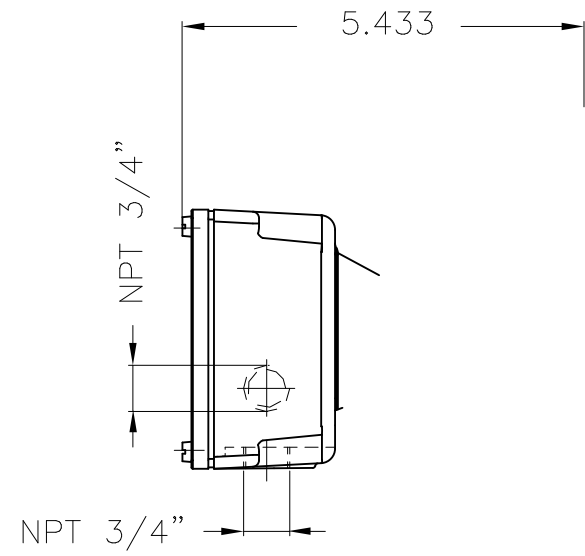



Performance : 115/230 V 60 Hz 4P

Rated current : 17.4/8.70 A
 LRC : 6.5
 Rated torque : 0.622 kgfm
 Locked rotor torque : 280 %
 Breakdown torque : 260 %
 Rated speed : 1750 rpm

Moment of inertia (J) : 0.0082 kgm²
 Duty cycle : Cont.(S1)
 Insulation class : B
 Service factor : 1.15
 Temperature rise : 80 K

Rev.	Changes Summary	Performed	Checked	Date
Performed by			Page 2 / 2	Revision
Checked by				
Date	20/10/2024			



Mounting NEMA F-1										
Mounting B34R(D)										
ECM	LOC	SUMMARY OF MODIFICATIONS				EXECUTED	CHECKED	RELEASED	DATE	VER
EXECUTED	DATAVIEWER	SINGLE PH. MOTOR FARM DUTY				PREVIEW		WDD		
CHECKED		FRAME G145TC IP55 TEFC				SHEET		1 / 1		
RELEASED										
REL DT.	WMO	Jaragua do Sul	Product Engineering		SHEET		1 / 1			

1.5 HP 04 Poles 60 Hz