

# DATA SHEET



## Single Phase Induction Motor - Squirrel Cage

Customer :

Product line : Farm Duty Single-Phase Product code : 12058468

Frame	: B56C	Locked rotor time	: 10s (cold) 6s (hot)
Output	: 0.75 HP (0.55 kW)	Temperature rise	: 80 K
Poles	: 4	Duty cycle	: Cont.(S1)
Frequency	: 60 Hz	Ambient temperature	: -20°C to +40°C
Rated voltage	: 115/230 V	Altitude	: 1000 m.a.s.l.
Rated current	: 10.6/5.30 A	Protection degree	: IP55
L. R. Amperes	: 65.7/32.9 A	Cooling method	: IC411 - TEFC
LRC	: 6.2x(Code M)	Mounting	: F-1
No load current	: 8.00/4.00 A	Rotation <sup>1</sup>	: Both (CW and CCW)
Rated speed	: 1745 rpm	Noise level <sup>2</sup>	: 55.0 dB(A)
Slip	: 3.06 %	Starting method	: Direct On Line
Rated torque	: 0.312 kgfm	Approx. weight <sup>3</sup>	: 13.5 kg
Locked rotor torque	: 300 %		
Breakdown torque	: 250 %		
Insulation class	: B		
Service factor	: 1.15		
Moment of inertia (J)	: 0.0041 kgm <sup>2</sup>		

Output	50%	75%	100%	Foundation loads	
Efficiency (%)	58.5	66.0	68.5	Max. traction	: 18 kgf
Power Factor	0.47	0.58	0.66	Max. compression	: 31 kgf

	Drive end	Non drive end
Bearing type	: 6203 ZZ	: 6202 ZZ
Sealing	: V'Ring	: V'Ring
Lubrication interval	: -	: -
Lubricant amount	: -	: -
Lubricant type	: Mobil Polyrex EM	

### Notes

This revision replaces and cancel the previous one, which must be eliminated.

- (1) Looking the motor from the shaft end.
- (2) Measured at 1m and with tolerance of +3dB(A).
- (3) Approximate weight subject to changes after manufacturing process.
- (4) At 100% of full load.

These are average values based on tests with sinusoidal power supply, subject to the tolerances stipulated in NEMA MG-1.

Rev.	Changes Summary	Performed	Checked	Date
Performed by				
Checked by			Page	Revision
Date	20/10/2024		1 / 2	

# LOAD PERFORMANCE CURVE

Single Phase Induction Motor - Squirrel Cage

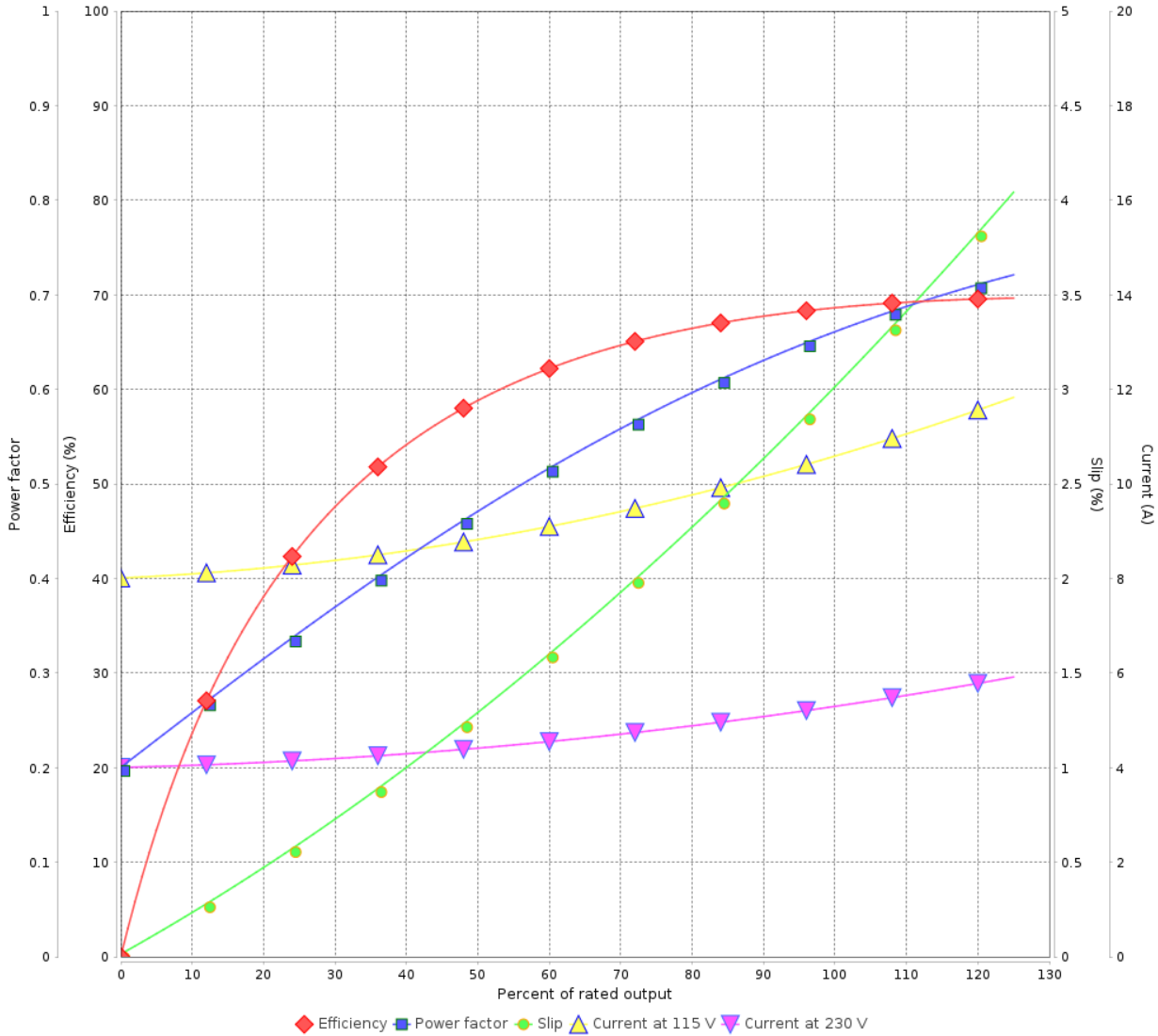


Customer :

Product line : Farm Duty Single-Phase

Product code : 12058468

LOAD PERFORMANCE CURVE

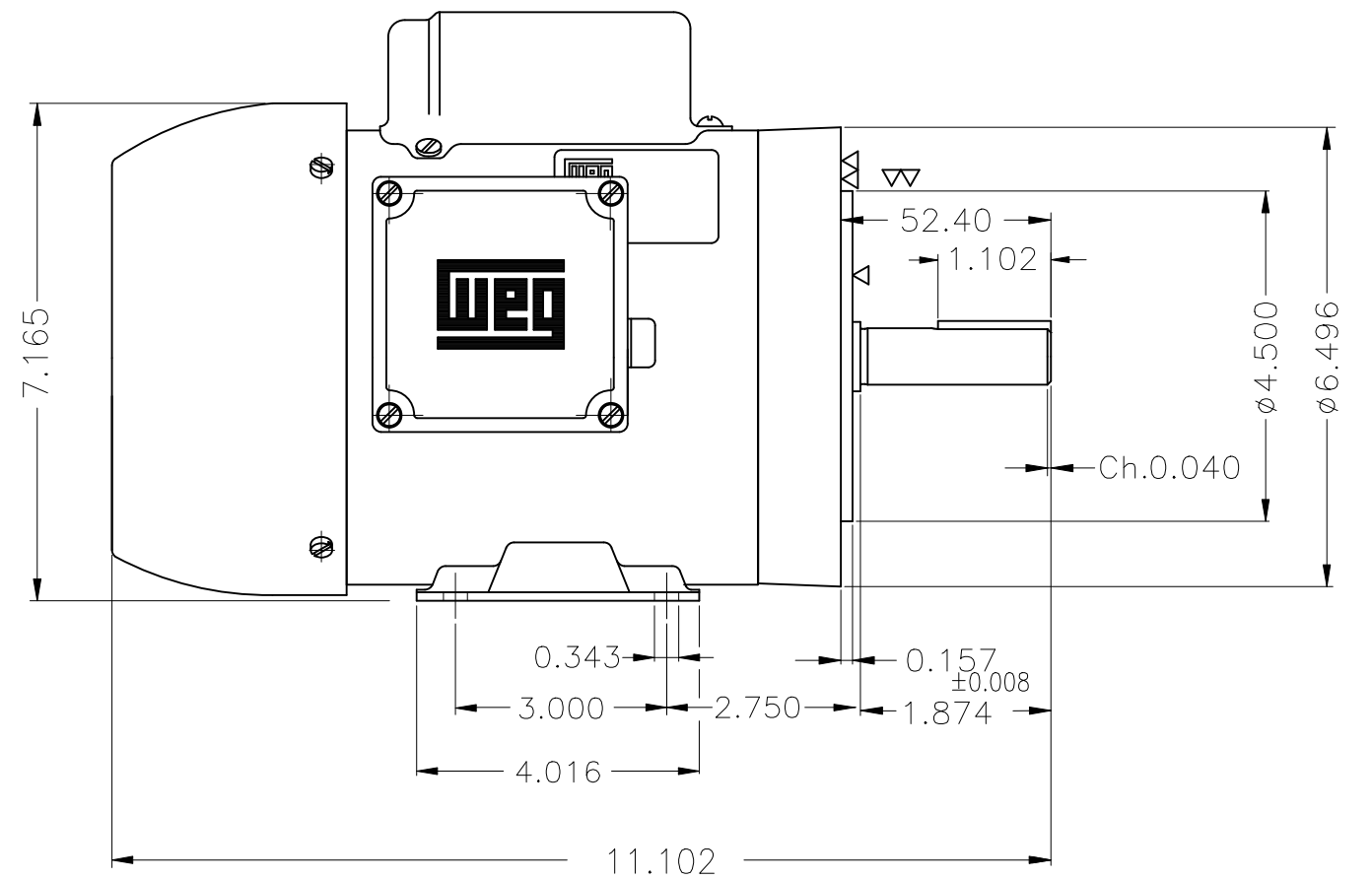
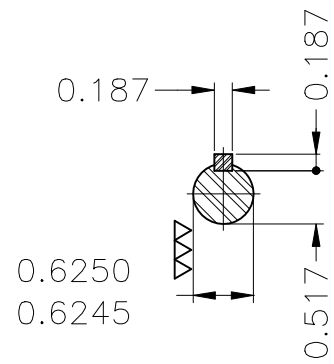
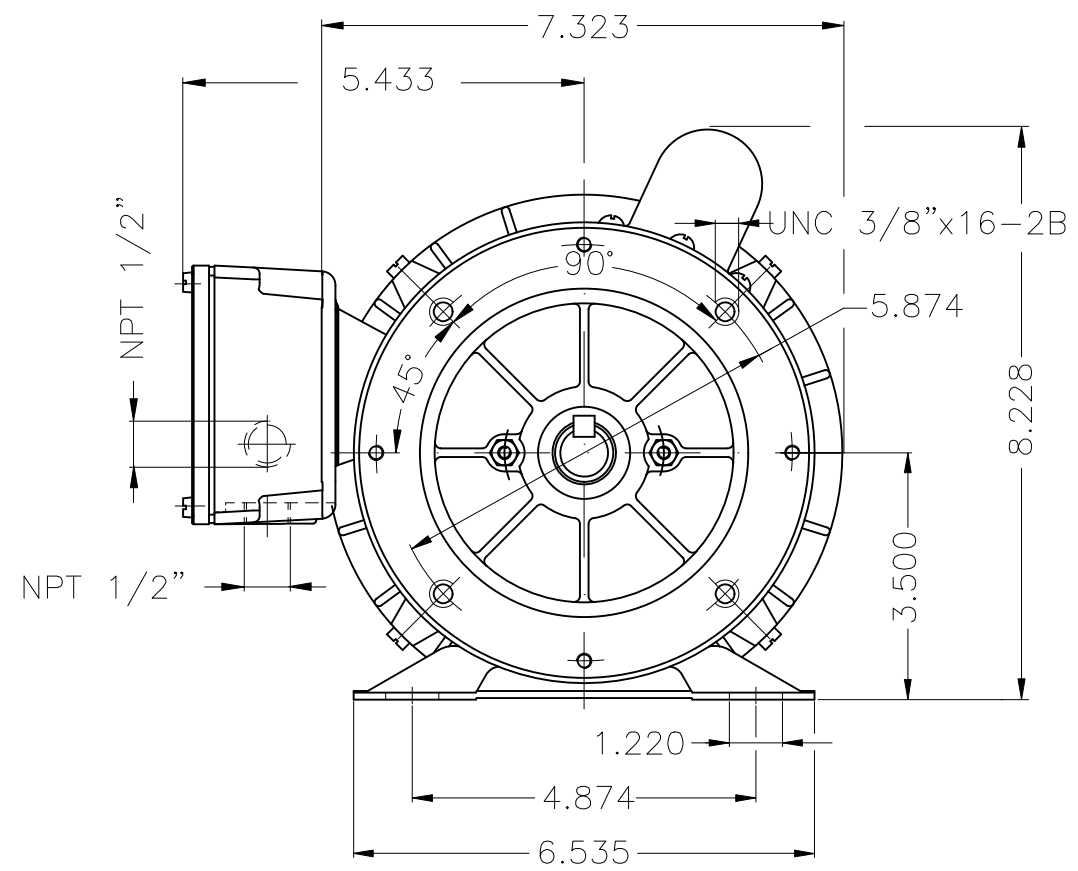


Performance : 115/230 V 60 Hz 4P

Rated current : 10.6/5.30 A  
 LRC : 6.2  
 Rated torque : 0.312 kgfm  
 Locked rotor torque : 300 %  
 Breakdown torque : 250 %  
 Rated speed : 1745 rpm

Moment of inertia (J) : 0.0041 kgm<sup>2</sup>  
 Duty cycle : Cont.(S1)  
 Insulation class : B  
 Service factor : 1.15  
 Temperature rise : 80 K

Rev.	Changes Summary	Performed	Checked	Date
Performed by			Page	Revision
Checked by				
Date				



Mounting B34D

ECM	LOC	SUMMARY OF MODIFICATIONS	EXECUTED	CHECKED	RELEASED	DATE	VER
EXECUTED	HYBRISUSER	SINGLE PH. MOTOR FARM DUTY FRAME B56C IP55 TEFC					
CHECKED							
RELEASED							
REL. DATE	WMO	Jaragua do Sul	Product Engineering	PREVIEW	WDD	00	
			SHEET		1 / 1		

3/4 HP 04 Poles 60 Hz