

LOAD PERFORMANCE CURVE

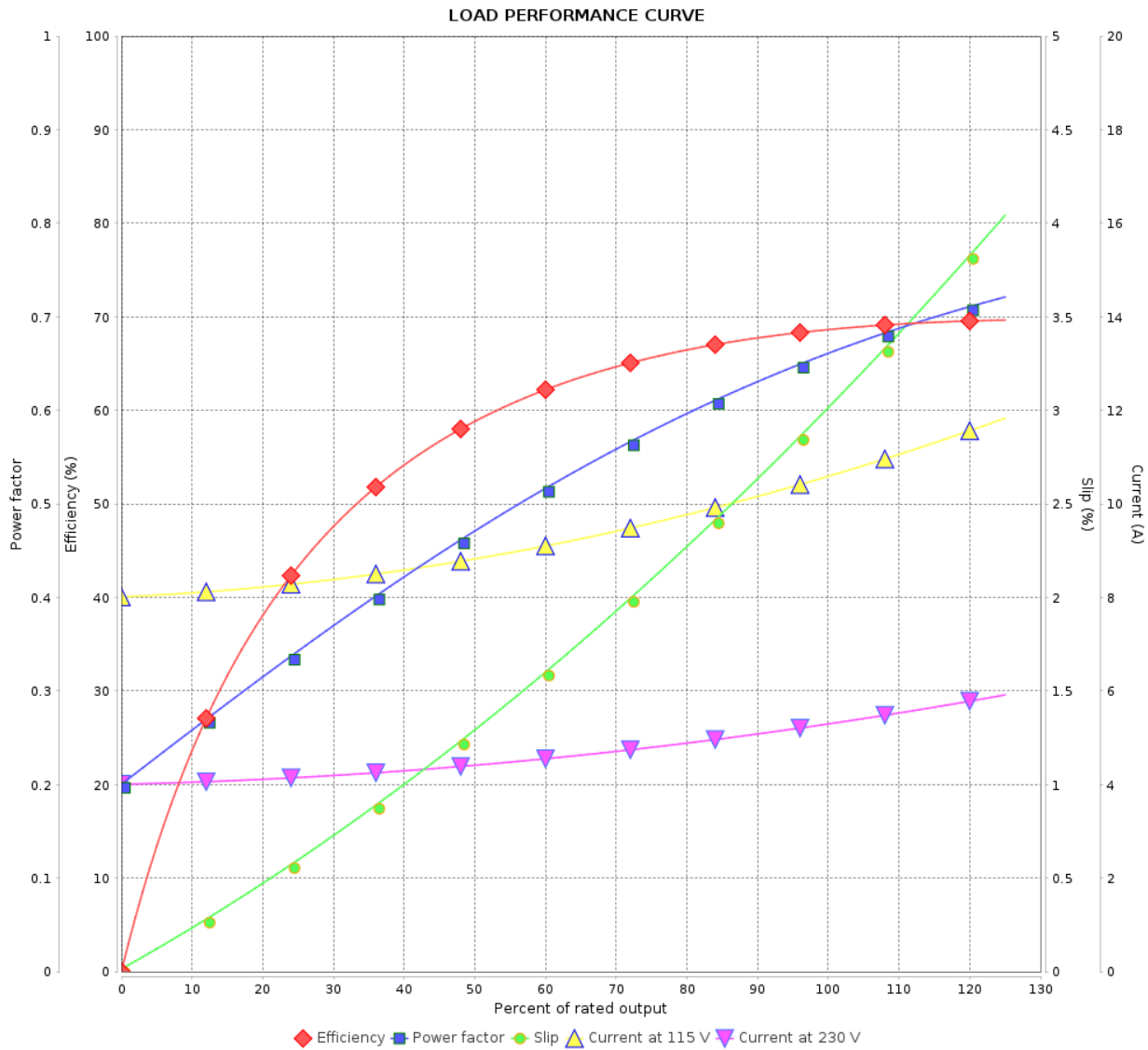
Single Phase Induction Motor - Squirrel Cage



Customer :

Product line : Farm Duty Single-Phase

Product code : 10064792

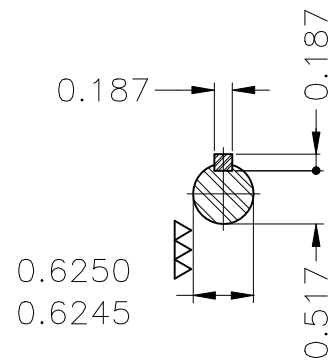
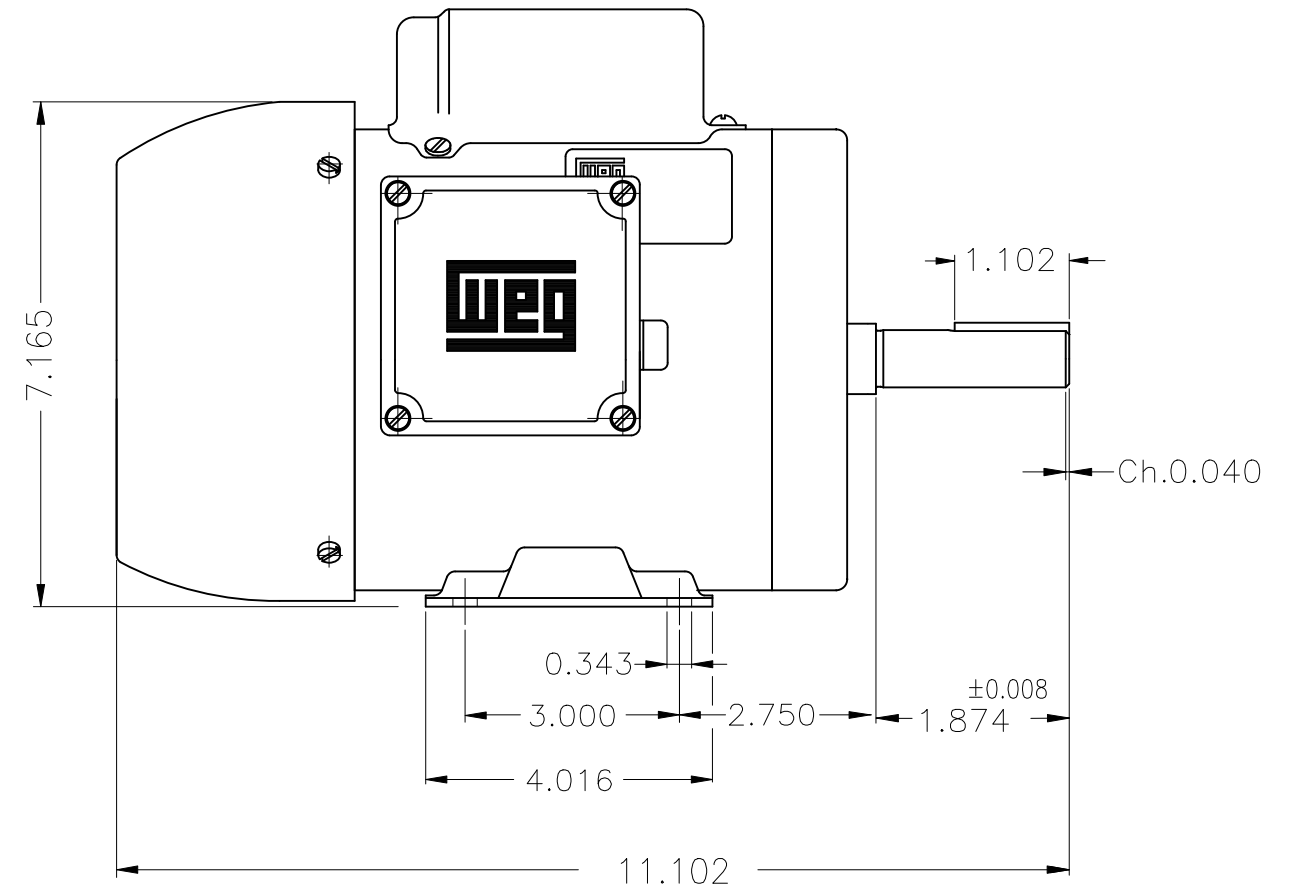
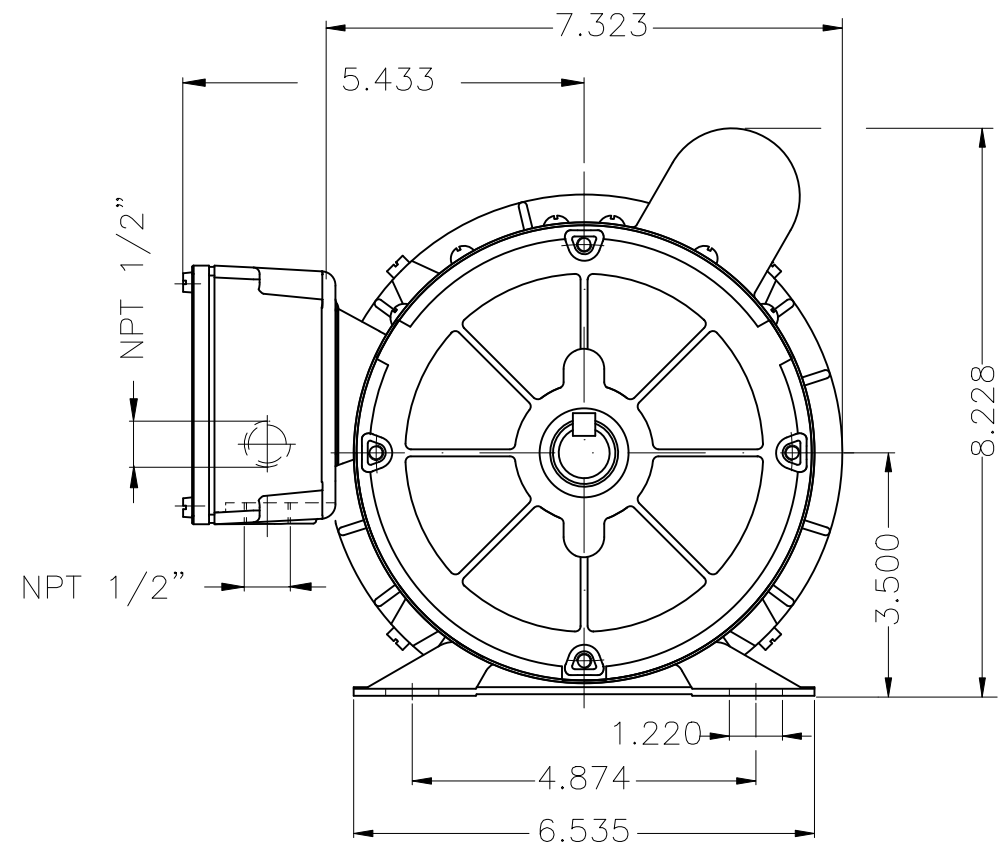


Performance : 115/230 V 60 Hz 4P


Rated current : 10.6/5.30 A
 LRC : 6.2
 Rated torque : 0.312 kgfm
 Locked rotor torque : 300 %
 Breakdown torque : 250 %
 Rated speed : 1745 rpm

Moment of inertia (J) : 0.0041 kgm²
 Duty cycle : Cont.(S1)
 Insulation class : B
 Service factor : 1.15
 Temperature rise : 80 K

Rev.	Changes Summary	Performed	Checked	Date
Performed by			Page 2 / 2	Revision
Checked by				
Date	20/10/2024			



Mounting B3R(D)

ECM	LOC	SUMMARY OF MODIFICATIONS	EXECUTED	CHECKED	RELEASED	DATE	VER
EXECUTED	HYBRISUSER	 SINGLE PH. MOTOR FARM DUTY FRAME B56 IP55 TEFC					
CHECKED							
RELEASED							
REL. DATE	WMO	Jaragua do Sul	Product Engineering	HYBRISUSER			00

PREVIEW

WDD 00

SHEET 1 / 1



3/4 HP 04 Poles 60 Hz