

DATA SHEET



Single Phase Induction Motor - Squirrel Cage

Customer :						
Product line : Farm Duty Single-Phase			Product code : 10371504			
Frame	: B56			Locked rotor time	: 10s (cold) 6s (hot)	
Output	: 0.5 HP (0.37 kW)			Temperature rise	: 80 K	
Poles	: 4			Duty cycle	: Cont.(S1)	
Frequency	: 60 Hz			Ambient temperature	: -20°C to +40°C	
Rated voltage	: 115/230 V			Altitude	: 1000 m.a.s.l.	
Rated current	: 7.44/3.72 A			Protection degree	: IP55	
L. R. Amperes	: 43.2/21.6 A			Cooling method	: IC411 - TEFC	
LRC	: 5.8x(Code L)			Mounting	: F-1	
No load current	: 6.00/3.00 A			Rotation ¹	: Both (CW and CCW)	
Rated speed	: 1750 rpm			Noise level ²	: 55.0 dB(A)	
Slip	: 2.78 %			Starting method	: Direct On Line	
Rated torque	: 0.207 kgfm			Approx. weight ³	: 11.2 kg	
Locked rotor torque	: 290 %					
Breakdown torque	: 270 %					
Insulation class	: B					
Service factor	: 1.15					
Moment of inertia (J)	: 0.0034 kgm ²					
Output	25%	50%	75%	100%	Foundation loads	
Efficiency (%)	53.8	56.0	64.0	66.5	Max. traction	: 12 kgf
Power Factor	0.25	0.46	0.57	0.65	Max. compression	: 23 kgf
			<u>Drive end</u>		<u>Non drive end</u>	
Bearing type	:		6203 ZZ		6202 ZZ	
Sealing	:		V'Ring		V'Ring	
Lubrication interval	:		-		-	
Lubricant amount	:		-		-	
Lubricant type	:			Mobil Polyrex EM		
Notes						
This revision replaces and cancel the previous one, which must be eliminated. (1) Looking the motor from the shaft end. (2) Measured at 1m and with tolerance of +3dB(A). (3) Approximate weight subject to changes after manufacturing process. (4) At 100% of full load.				These are average values based on tests with sinusoidal power supply, subject to the tolerances stipulated in NEMA MG-1.		
Rev.	Changes Summary			Performed	Checked	Date
Performed by						
Checked by					Page	Revision
Date	20/10/2024				1 / 2	

LOAD PERFORMANCE CURVE

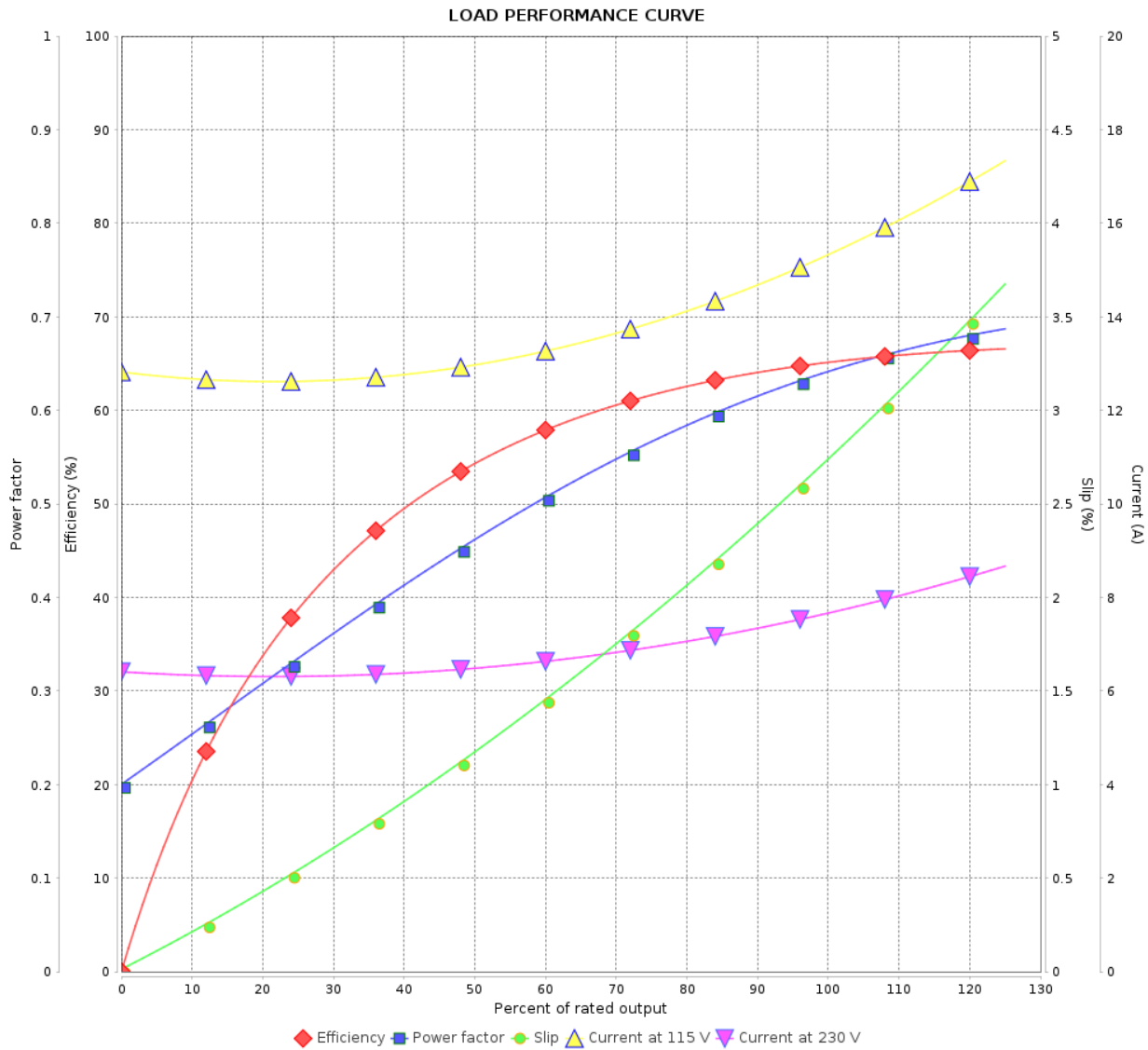
Single Phase Induction Motor - Squirrel Cage



Customer :

Product line : Farm Duty Single-Phase

Product code : 10371504

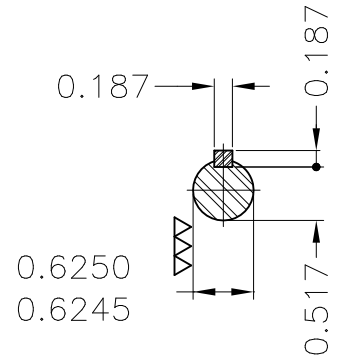
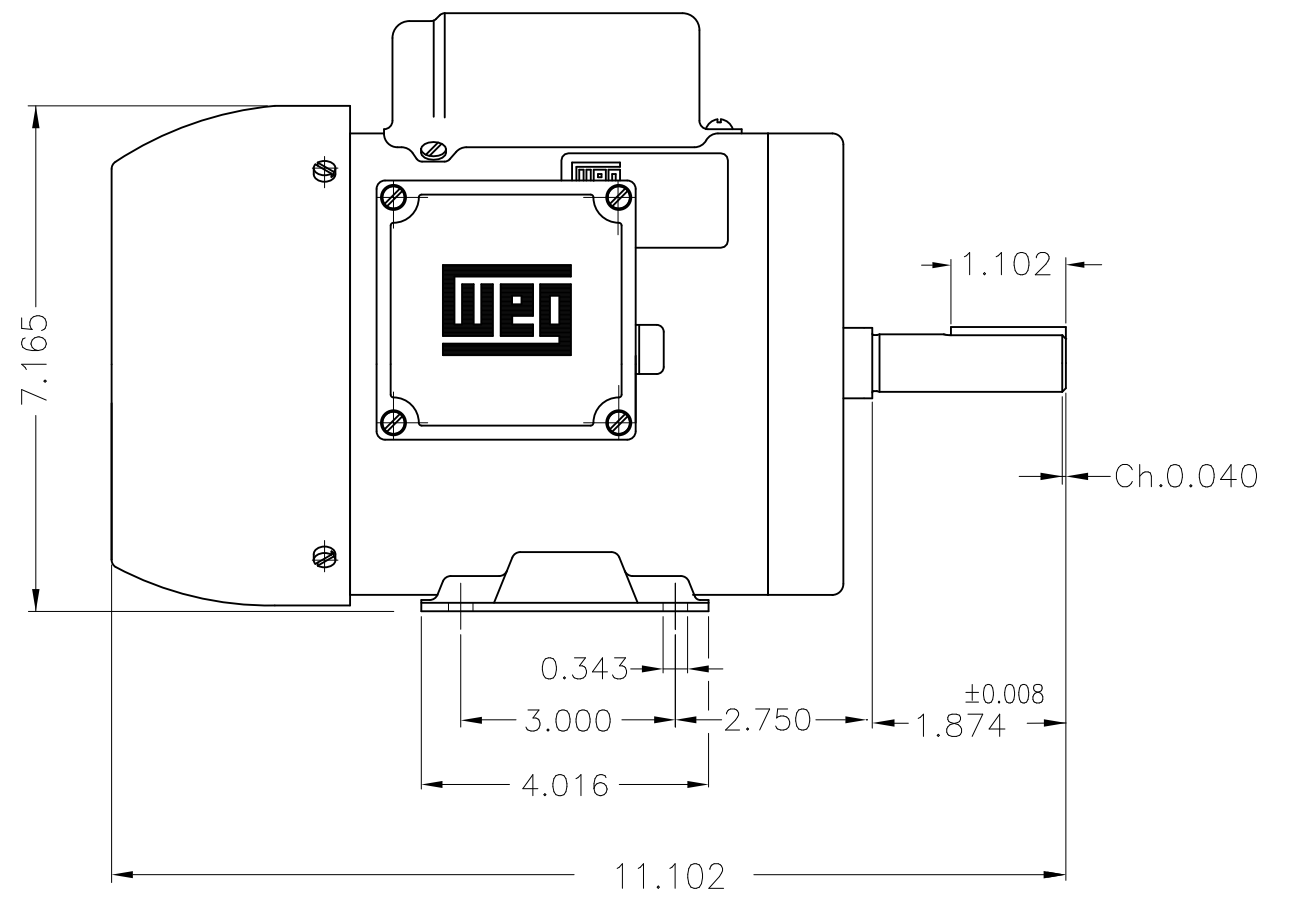
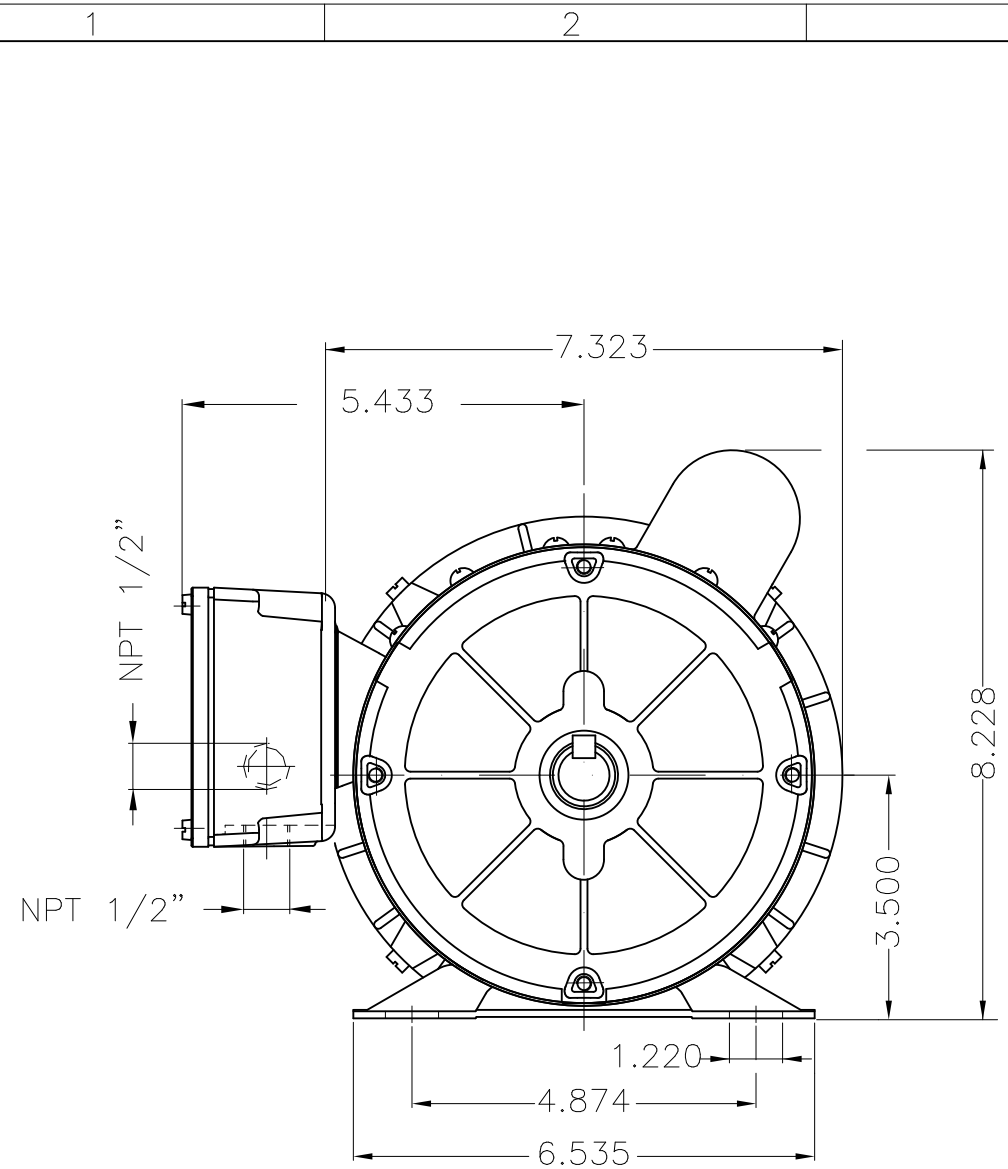


Performance : 115/230 V 60 Hz 4P

Rated current : 7.44/3.72 A
 LRC : 5.8
 Rated torque : 0.207 kgfm
 Locked rotor torque : 290 %
 Breakdown torque : 270 %
 Rated speed : 1750 rpm

Moment of inertia (J) : 0.0034 kgm²
 Duty cycle : Cont.(S1)
 Insulation class : B
 Service factor : 1.15
 Temperature rise : 80 K

Rev.	Changes Summary	Performed	Checked	Date
Performed by		Page		Revision
Checked by		2 / 2		
Date	20/10/2024			



Rotation CW and CCW						
Mounting B3R(D)						
				HYBRISUSER		00
ECM	LOC	SUMMARY OF MODIFICATIONS		EXECUTED	CHECKED	RELEASED
EXECUTED	HYBRISUSER	SINGLE PH. MOTOR FARM DUTY FRAME B56 IP55 TEFC		PREVIEW WDD 00 SHEET 1 / 1		
CHECKED						
RELEASED						
REL. DATE		WMO	Jaragua do Sul	Product Engineering		

1/2 HP 04 Poles 60 Hz