

DATA SHEET



Single Phase Induction Motor - Squirrel Cage

Customer :					
Product line		: Farm Duty Single-Phase		Product code : 11950656	
Frame	: B56C		Locked rotor time	: 10s (cold) 6s (hot)	
Output	: 0.33 HP (0.25 kW)		Temperature rise	: 80 K	
Poles	: 4		Duty cycle	: Cont.(S1)	
Frequency	: 60 Hz		Ambient temperature	: -20°C to +40°C	
Rated voltage	: 115/230 V		Altitude	: 1000 m.a.s.l.	
Rated current	: 5.60/2.80 A		Protection degree	: IP55	
L. R. Amperes	: 32.5/16.2 A		Cooling method	: IC411 - TEFC	
LRC	: 5.8x(Code N)		Mounting	: F-1	
No load current	: 4.60/2.30 A		Rotation ¹	: Both (CW and CCW)	
Rated speed	: 1750 rpm		Noise level ²	: 55.0 dB(A)	
Slip	: 2.78 %		Starting method	: Direct On Line	
Rated torque	: 0.137 kgfm		Approx. weight ³	: 10.7 kg	
Locked rotor torque	: 340 %				
Breakdown torque	: 280 %				
Insulation class	: B				
Service factor	: 1.15				
Moment of inertia (J)	: 0.0026 kgm ²				
Output	50%	75%	100%	Foundation loads	
Efficiency (%)	49.0	58.0	61.0	Max. traction : 7 kgf	
Power Factor	0.44	0.53	0.62	Max. compression : 17 kgf	
		<u>Drive end</u>		<u>Non drive end</u>	
Bearing type	:	6203 ZZ		6202 ZZ	
Sealing	:	V'Ring		V'Ring	
Lubrication interval	:	-		-	
Lubricant amount	:	-		-	
Lubricant type	:	Mobil Polyrex EM			
Notes					
This revision replaces and cancel the previous one, which must be eliminated. (1) Looking the motor from the shaft end. (2) Measured at 1m and with tolerance of +3dB(A). (3) Approximate weight subject to changes after manufacturing process. (4) At 100% of full load.			These are average values based on tests with sinusoidal power supply, subject to the tolerances stipulated in NEMA MG-1.		
Rev.	Changes Summary		Performed	Checked	Date
Performed by					
Checked by				Page	Revision
Date	20/10/2024			1 / 2	

LOAD PERFORMANCE CURVE

Single Phase Induction Motor - Squirrel Cage

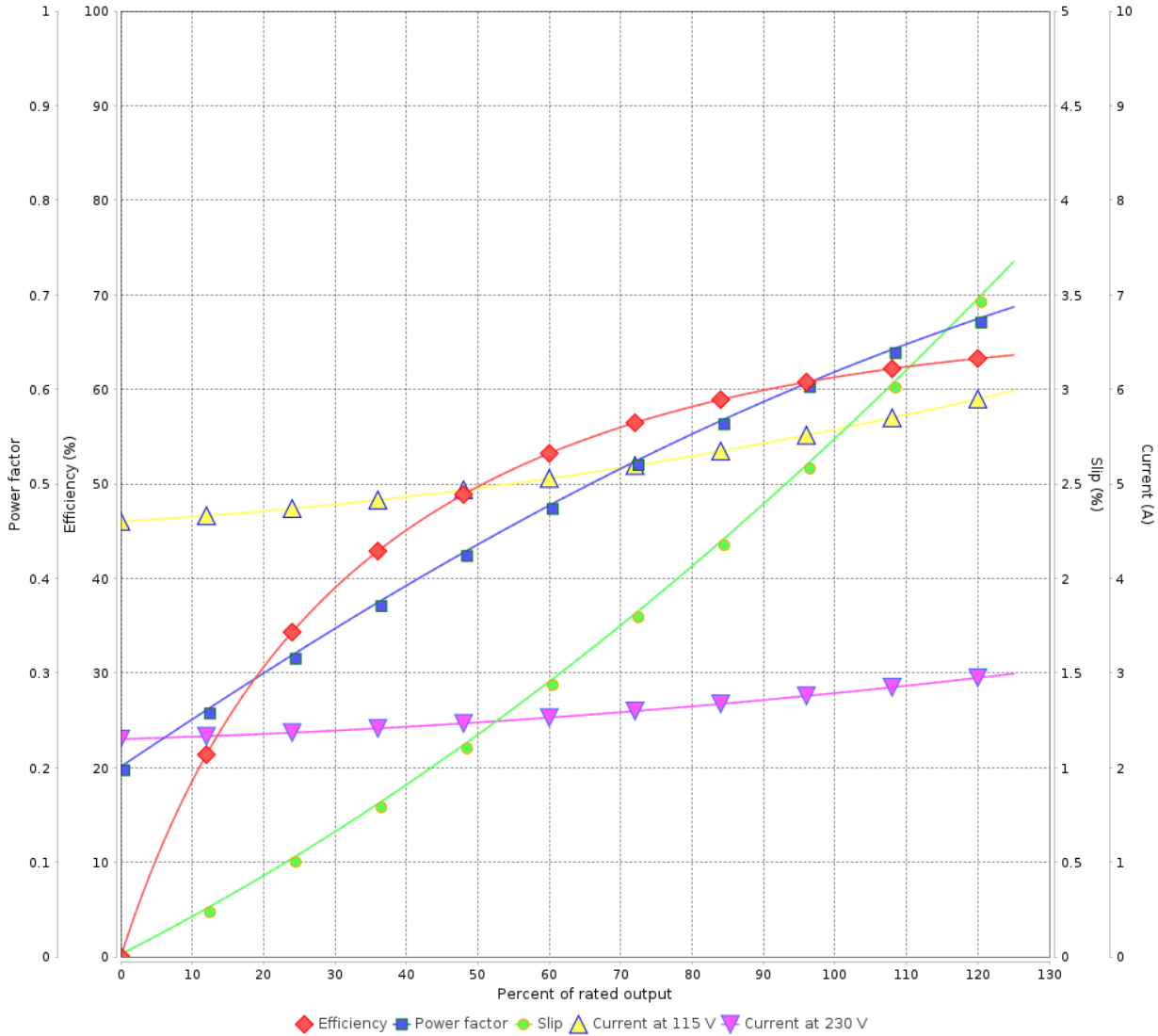


Customer :

Product line : Farm Duty Single-Phase

Product code : 11950656

LOAD PERFORMANCE CURVE

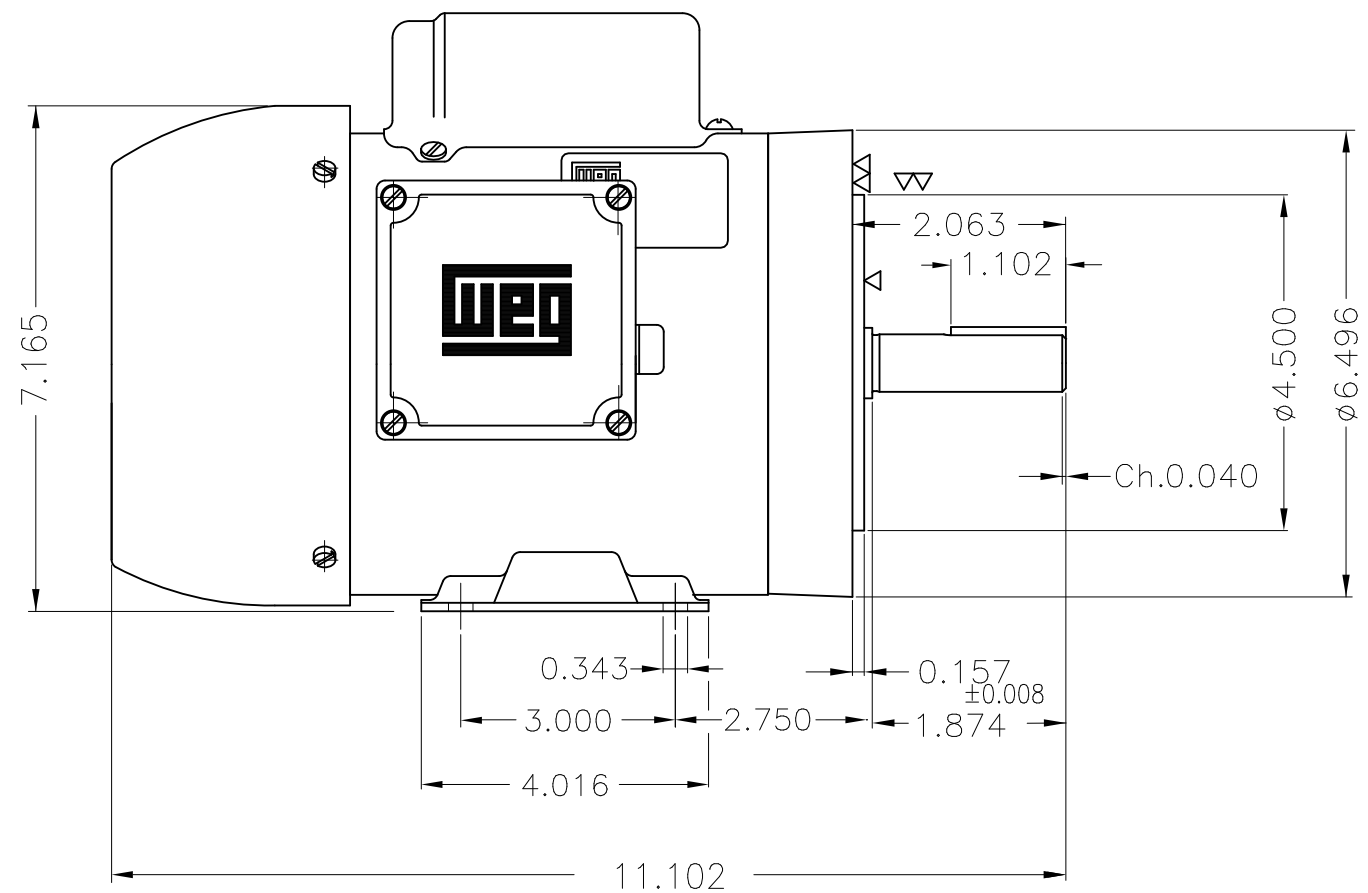
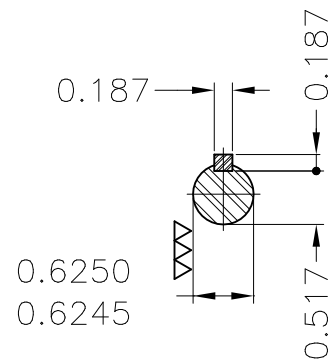
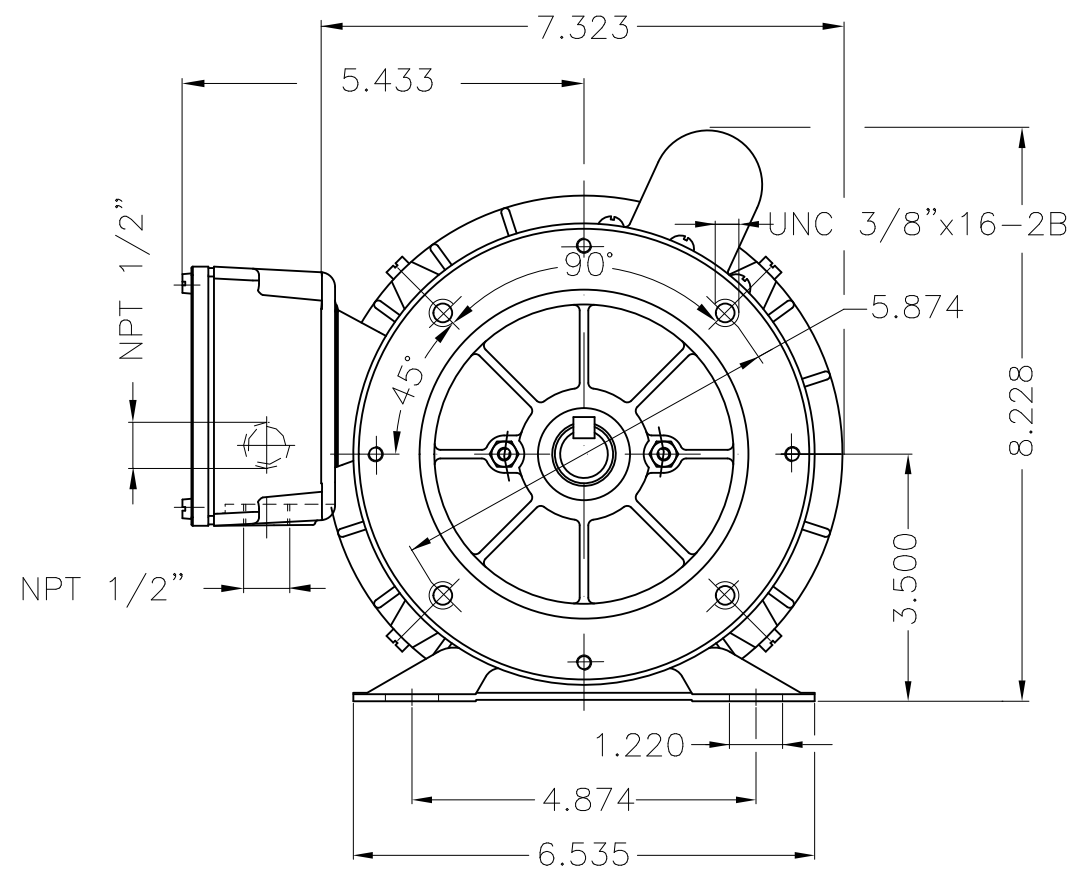


Performance : 115/230 V 60 Hz 4P

Rated current : 5.60/2.80 A
 LRC : 5.8
 Rated torque : 0.137 kgfm
 Locked rotor torque : 340 %
 Breakdown torque : 280 %
 Rated speed : 1750 rpm

Moment of inertia (J) : 0.0026 kgm²
 Duty cycle : Cont.(S1)
 Insulation class : B
 Service factor : 1.15
 Temperature rise : 80 K

Rev.	Changes Summary	Performed	Checked	Date
Performed by			Page	Revision
Checked by			2 / 2	
Date	20/10/2024			



Mounting B34R(D)						
ECM	LOC	SUMMARY OF MODIFICATIONS	EXECUTED	CHECKED	RELEASED	DATE VER
EXECUTED	DATAVIEWER	USER				
CHECKED						
RELEASED						
REL DT.	WMO	Jaragua do Sul	Product Engineering	SHEET 1 / 1		SINGLE PH. MOTOR FARM DUTY FRAME B56C IP55 TEFC WDD WEG

1/3 HP 04 Poles 60 Hz