

DATA SHEET



Single Phase Induction Motor - Squirrel Cage

Customer :						
Product line		: Farm Duty Single-Phase		Product code : 10723420		
Frame	: B56	Locked rotor time	: 10s (cold) 6s (hot)			
Output	: 0.33 HP (0.25 kW)	Temperature rise	: 80 K			
Poles	: 4	Duty cycle	: Cont.(S1)			
Frequency	: 60 Hz	Ambient temperature	: -20°C to +40°C			
Rated voltage	: 115/230 V	Altitude	: 1000 m.a.s.l.			
Rated current	: 5.60/2.80 A	Protection degree	: IP55			
L. R. Amperes	: 32.5/16.2 A	Cooling method	: IC411 - TEFC			
LRC	: 5.8x(Code N)	Mounting	: F-1			
No load current	: 4.60/2.30 A	Rotation ¹	: Both (CW and CCW)			
Rated speed	: 1750 rpm	Noise level ²	: 55.0 dB(A)			
Slip	: 2.78 %	Starting method	: Direct On Line			
Rated torque	: 0.137 kgfm	Approx. weight ³	: 9.9 kg			
Locked rotor torque	: 340 %					
Breakdown torque	: 280 %					
Insulation class	: B					
Service factor	: 1.15					
Moment of inertia (J)	: 0.0026 kgm ²					
Output	50%	75%	100%	Foundation loads		
Efficiency (%)	49.0	58.0	61.0	Max. traction : 7 kgf		
Power Factor	0.44	0.53	0.62	Max. compression : 17 kgf		
		<u>Drive end</u>		<u>Non drive end</u>		
Bearing type	:	6203 ZZ		6202 ZZ		
Sealing	:	V'Ring		V'Ring		
Lubrication interval	:	-		-		
Lubricant amount	:	-		-		
Lubricant type	:	Mobil Polyrex EM				
Notes						
This revision replaces and cancel the previous one, which must be eliminated. (1) Looking the motor from the shaft end. (2) Measured at 1m and with tolerance of +3dB(A). (3) Approximate weight subject to changes after manufacturing process. (4) At 100% of full load.			These are average values based on tests with sinusoidal power supply, subject to the tolerances stipulated in NEMA MG-1.			
Rev.	Changes Summary			Performed	Checked	Date
Performed by						
Checked by					Page	Revision
Date	20/10/2024				1 / 2	

LOAD PERFORMANCE CURVE

Single Phase Induction Motor - Squirrel Cage

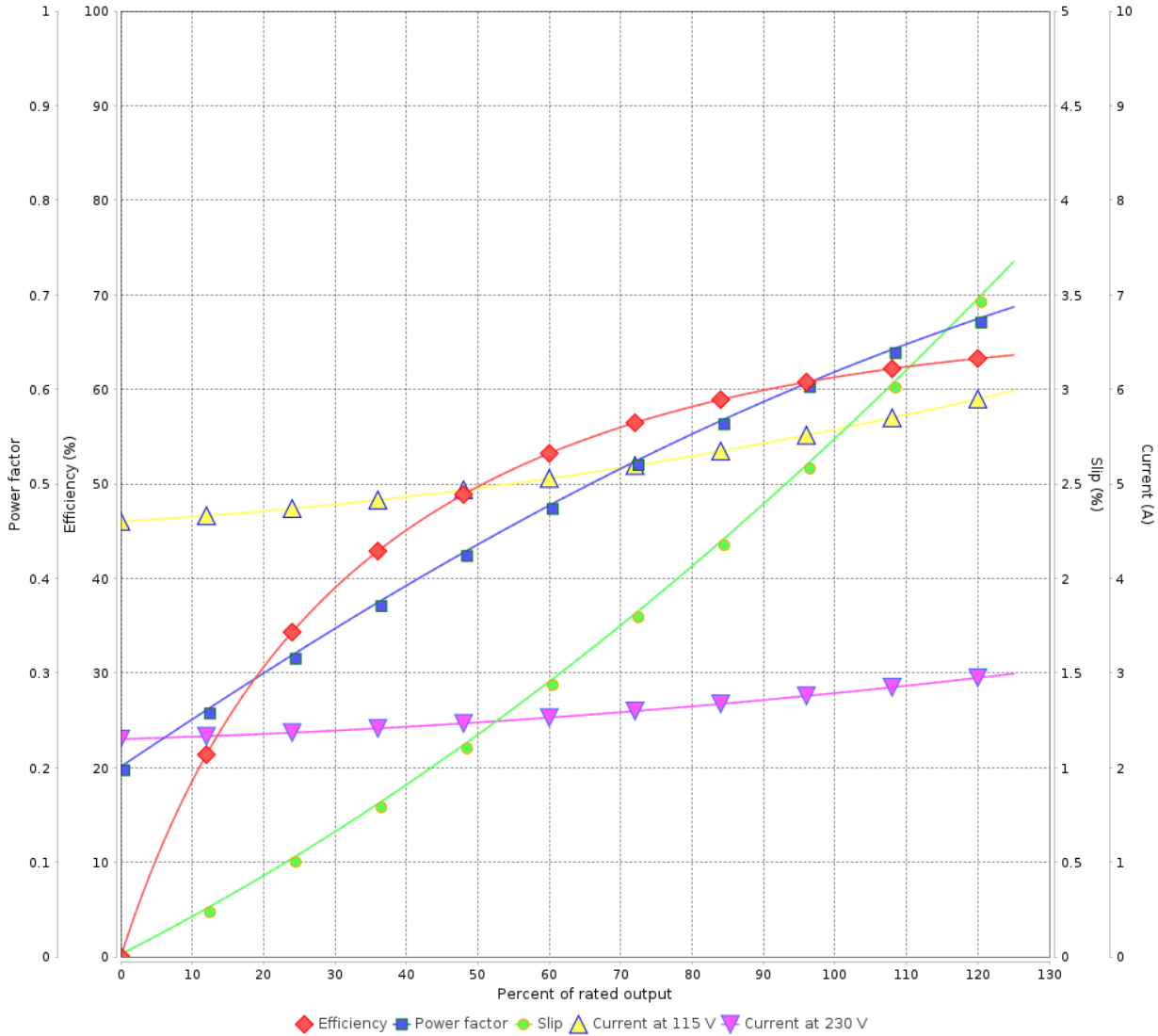


Customer :

Product line : Farm Duty Single-Phase

Product code : 10723420

LOAD PERFORMANCE CURVE

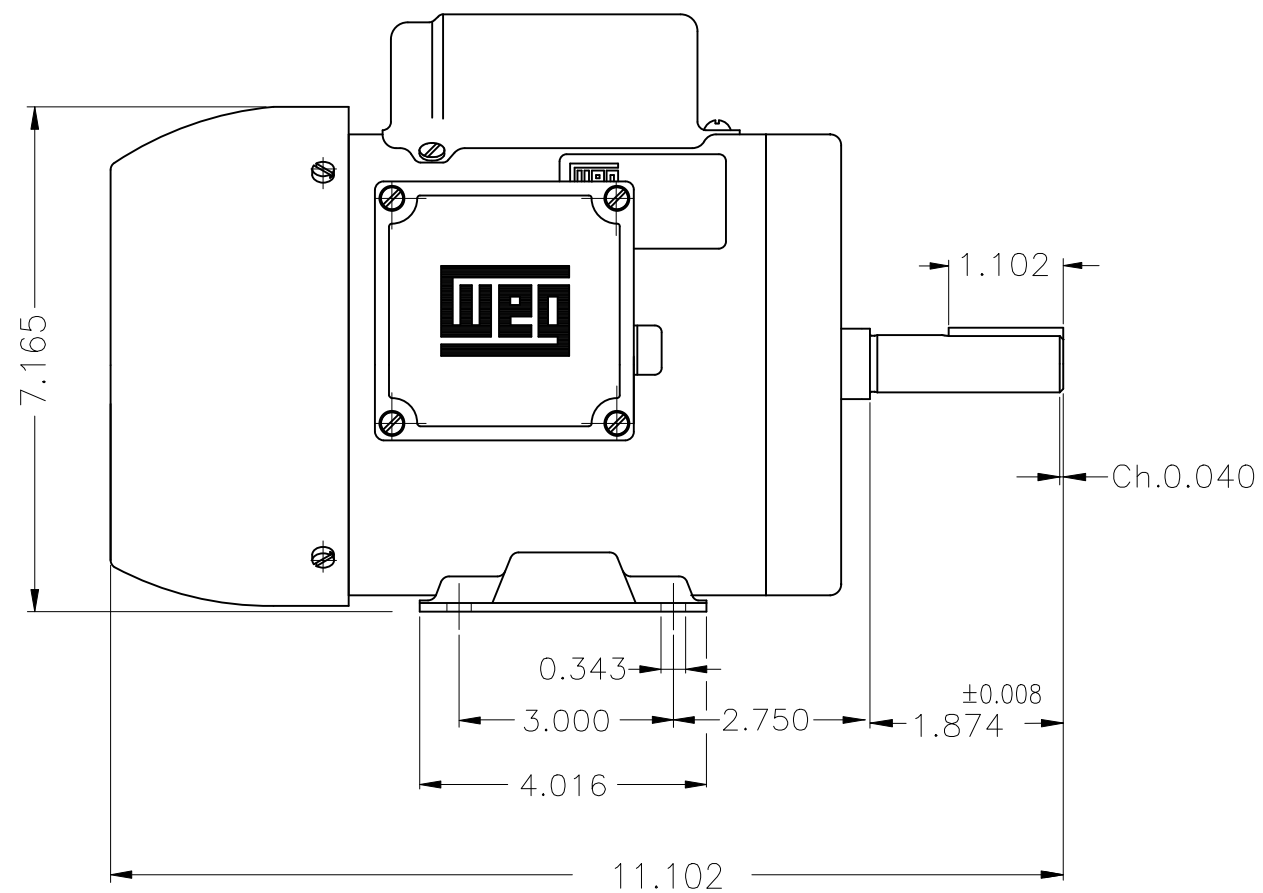
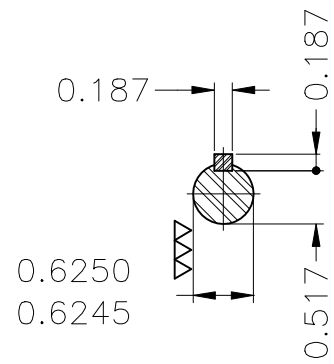
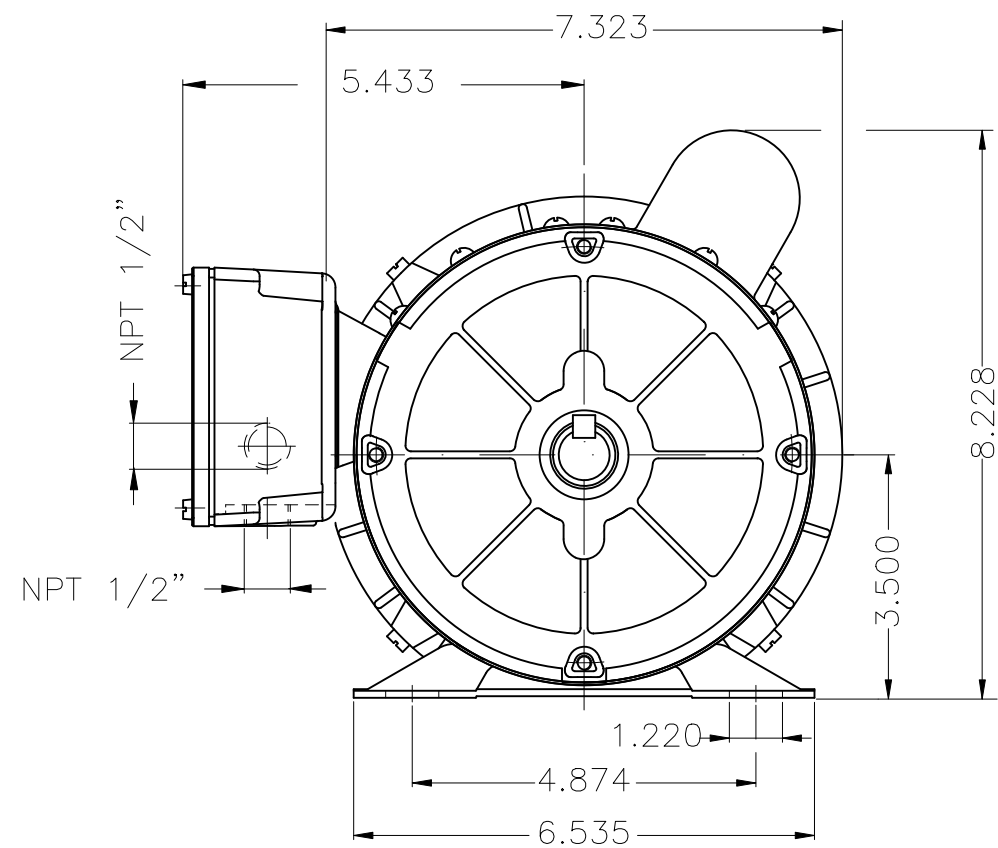


Performance : 115/230 V 60 Hz 4P


Rated current : 5.60/2.80 A
 LRC : 5.8
 Rated torque : 0.137 kgfm
 Locked rotor torque : 340 %
 Breakdown torque : 280 %
 Rated speed : 1750 rpm

Moment of inertia (J) : 0.0026 kgm²
 Duty cycle : Cont.(S1)
 Insulation class : B
 Service factor : 1.15
 Temperature rise : 80 K

Rev.	Changes Summary	Performed	Checked	Date
Performed by		Page		Revision
Checked by		2 / 2		
Date	20/10/2024			



Mounting B3R(D)

ECM	LOC	SUMMARY OF MODIFICATIONS	EXECUTED	CHECKED	RELEASED	DATE	VER
EXECUTED	HYBRISUSER	 SINGLE PH. MOTOR FARM DUTY FRAME B56 IP55 TEFC					
CHECKED							
RELEASED							
REL. DATE	WMO	Jaragua do Sul	Product Engineering	WDD	00		

1/3 HP 04 Poles 60 Hz

A

PREVIEW
WDD 00

