

# DATA SHEET

## Three Phase Induction Motor - Squirrel Cage



Customer :					
Product line	: Standard Efficiency Three-Phase	Product code :	12894765		
Frame	: 56C	Cooling method	: IC411 - TEFC		
Insulation class	: F	Mounting	: F-1		
Duty cycle	: Cont.(S1)	Rotation <sup>1</sup>	: Both (CW and CCW)		
Ambient temperature	: -20°C to +40°C	Starting method	: Direct On Line		
Altitude	: 1000 m.a.s.l.	Approx. weight <sup>2</sup>	: 16.4 kg		
Protection degree	: IP55	Moment of inertia (J)	: 0.0052 kgm <sup>2</sup>		
Design	: A				
Output [HP]	2	1.5	1.5		
Poles	4	4	4		
Frequency [Hz]	60	50	50		
Rated voltage [V]	230/460	190/380	220/415		
Rated current [A]	5.70/2.85	5.24/2.62	4.96/2.63		
L. R. Amperes [A]	41.6/20.8	38.3/19.1	38.2/20.3		
LRC [A]	7.3x(Code K)	7.3x(Code K)	7.7x(Code L)		
No load current [A]	3.33/1.66	3.23/1.61	3.52/1.87		
Rated speed [RPM]	1745	1445	1450		
Slip [%]	3.06	3.67	3.33		
Rated torque [kgfm]	0.832	0.753	0.751		
Locked rotor torque [%]	240	250	280		
Breakdown torque [%]	270	290	320		
Service factor		1.15	1.15		
Temperature rise	80 K	80 K	80 K		
Locked rotor time	14s (cold) 8s (hot)	0s (cold) 0s (hot)	0s (cold) 0s (hot)		
Noise level <sup>2</sup>	52.0 dB(A)	49.0 dB(A)	49.0 dB(A)		
Efficiency (%)	25%	78.9	77.4	74.4	
	50%	80.0	77.8	75.6	
	75%	81.5	80.6	79.6	
	100%	82.5	80.6	80.5	
Power Factor	25%	0.33	0.32	0.29	
	50%	0.58	0.57	0.52	
	75%	0.72	0.71	0.66	
	100%	0.80	0.79	0.75	
Bearing type	: Drive end : 6204 ZZ	Non drive end : 6202 ZZ	Foundation loads		
Sealing	: V'Ring	Without Bearing Seal	Max. traction	: 69 kgf	
			Max. compression	: 85 kgf	
Lubrication interval	: -	-			
Lubricant amount	: -	-			
Lubricant type	: Mobil Polyrex EM				
Notes USABLE @208V 6.30A SF 1.00 SFA 6.30A					
This revision replaces and cancel the previous one, which must be eliminated. (1) Looking the motor from the shaft end. (2) Measured at 1m and with tolerance of +3dB(A). (3) Approximate weight subject to changes after manufacturing process. (4) At 100% of full load.			These are average values based on tests with sinusoidal power supply, subject to the tolerances stipulated in NEMA MG-1.		
Rev.	Changes Summary		Performed	Checked	Date
Performed by					
Checked by				Page	Revision
Date	13/05/2022			1 / 4	

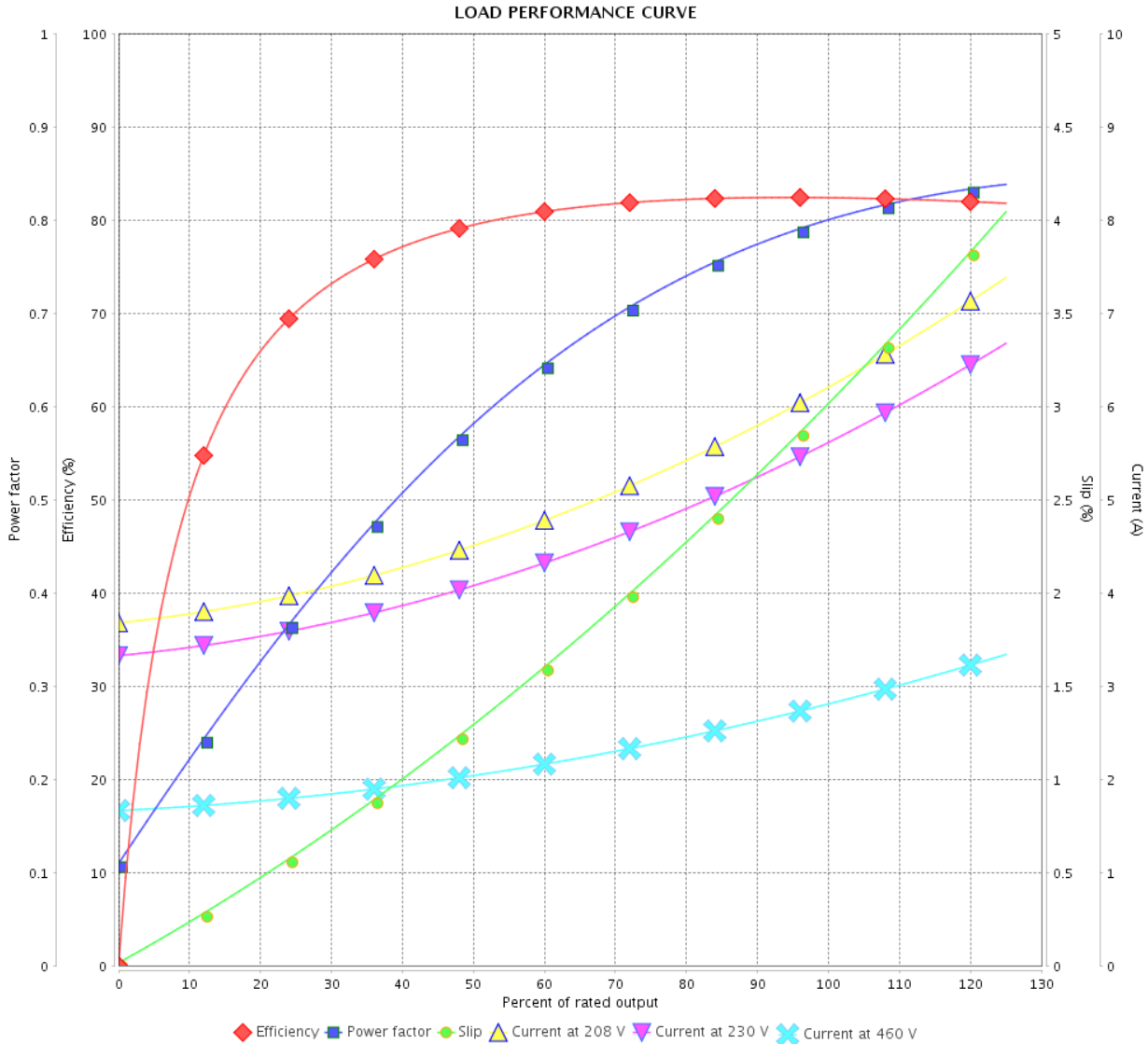
# LOAD PERFORMANCE CURVE

Three Phase Induction Motor - Squirrel Cage



Customer :

Product line : Standard Efficiency Three-Phase Product code : 12894765



Performance : 230/460 V 60 Hz 4P

Rated current : 5.70/2.85 A  
 LRC : 7.3  
 Rated torque : 0.832 kgfm  
 Locked rotor torque : 240 %  
 Breakdown torque : 270 %  
 Rated speed : 1745 rpm

Moment of inertia (J) : 0.0052 kgm<sup>2</sup>  
 Duty cycle : Cont.(S1)  
 Insulation class : F  
 Service factor :  
 Temperature rise : 80 K  
 Design : A

Rev.	Changes Summary	Performed	Checked	Date
Performed by			Page 2 / 4	Revision
Checked by				
Date	13/05/2022			

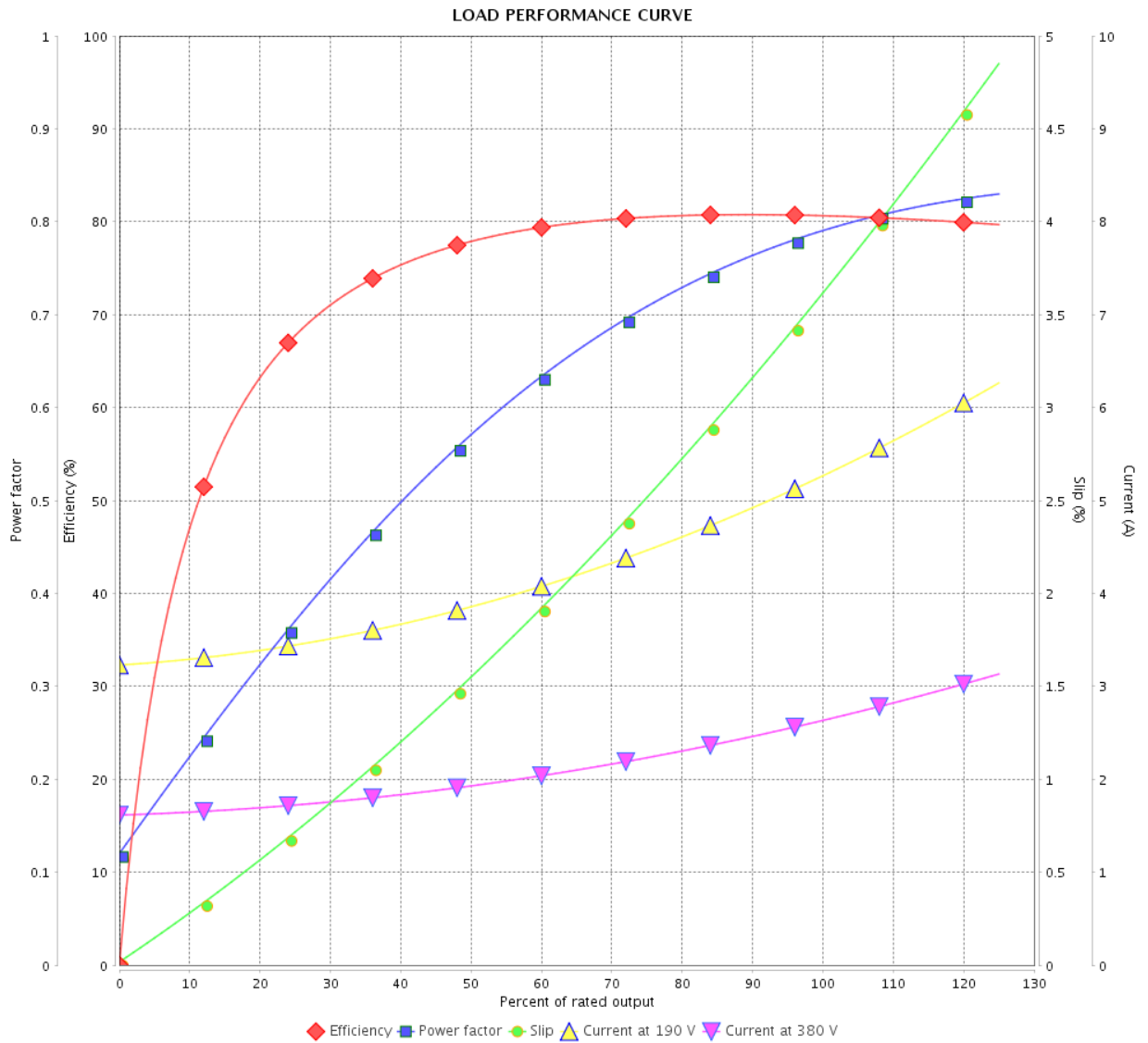
# LOAD PERFORMANCE CURVE

Three Phase Induction Motor - Squirrel Cage



Customer : \_\_\_\_\_

Product line : Standard Efficiency Three-Phase      Product code : 12894765



Performance : 190/380 V 50 Hz 4P

Rated current : 5.24/2.62 A  
 LRC : 7.3  
 Rated torque : 0.753 kgfm  
 Locked rotor torque : 250 %  
 Breakdown torque : 290 %  
 Rated speed : 1445 rpm

Moment of inertia (J) : 0.0052 kgm<sup>2</sup>  
 Duty cycle : Cont.(S1)  
 Insulation class : F  
 Service factor : 1.15  
 Temperature rise : 80 K  
 Design : A

Rev.	Changes Summary	Performed	Checked	Date
Performed by		Page		Revision
Checked by		3 / 4		
Date		13/05/2022		

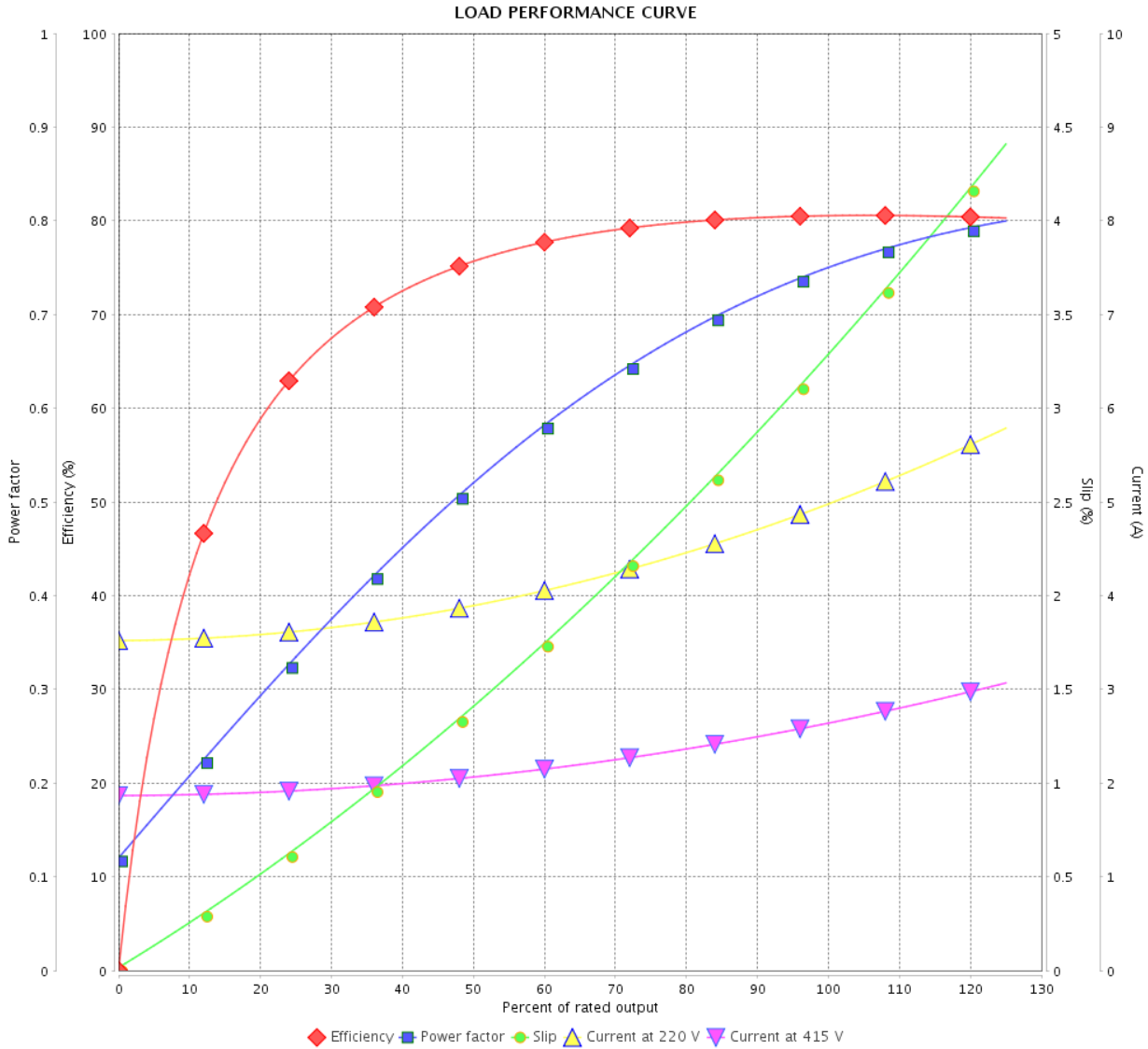
# LOAD PERFORMANCE CURVE

Three Phase Induction Motor - Squirrel Cage



Customer : \_\_\_\_\_

Product line : Standard Efficiency Three-Phase      Product code : 12894765



Performance : 220/415 V 50 Hz 4P

Rated current : 4.96/2.63 A  
 LRC : 7.7  
 Rated torque : 0.751 kgfm  
 Locked rotor torque : 280 %  
 Breakdown torque : 320 %  
 Rated speed : 1450 rpm

Moment of inertia (J) : 0.0052 kgm<sup>2</sup>  
 Duty cycle : Cont.(S1)  
 Insulation class : F  
 Service factor : 1.15  
 Temperature rise : 80 K  
 Design : A

Rev.	Changes Summary	Performed	Checked	Date
Performed by			Page 4 / 4	Revision
Checked by				
Date	13/05/2022			

1 2 3 4 5 6

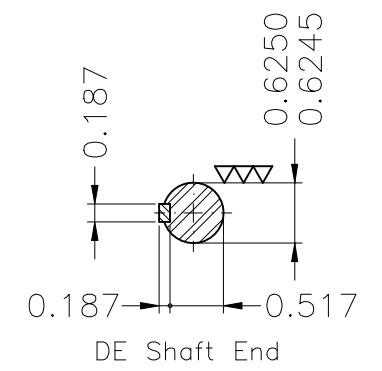
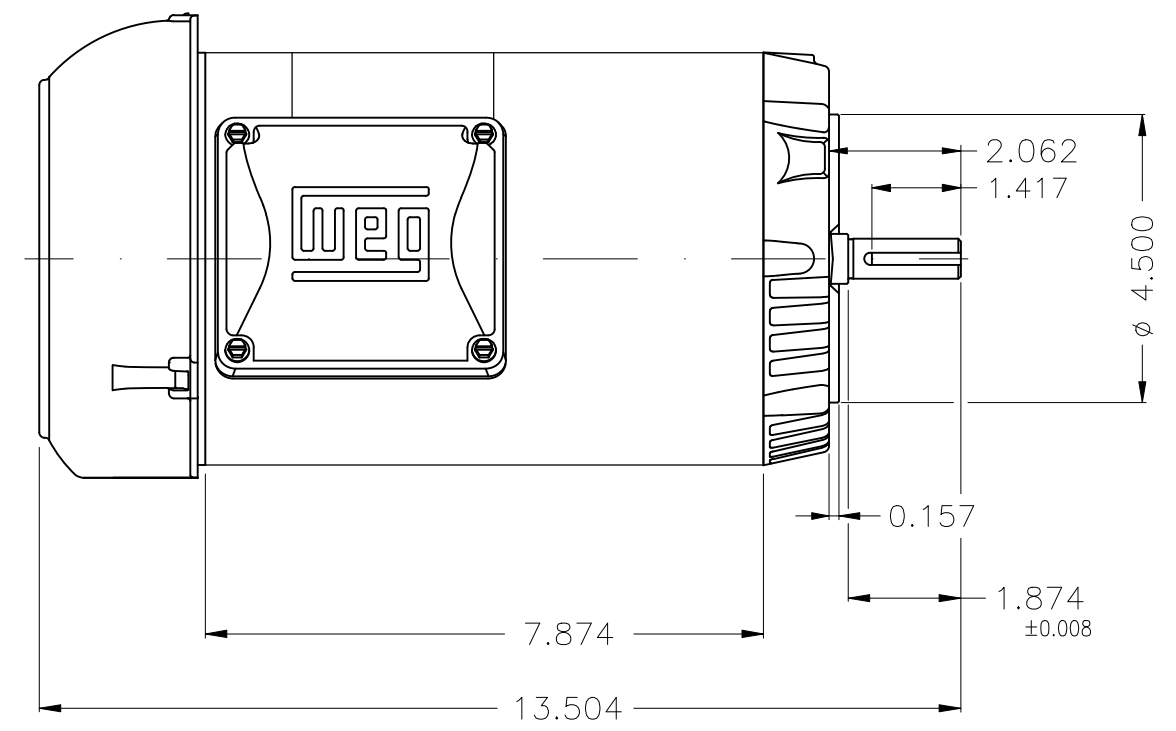
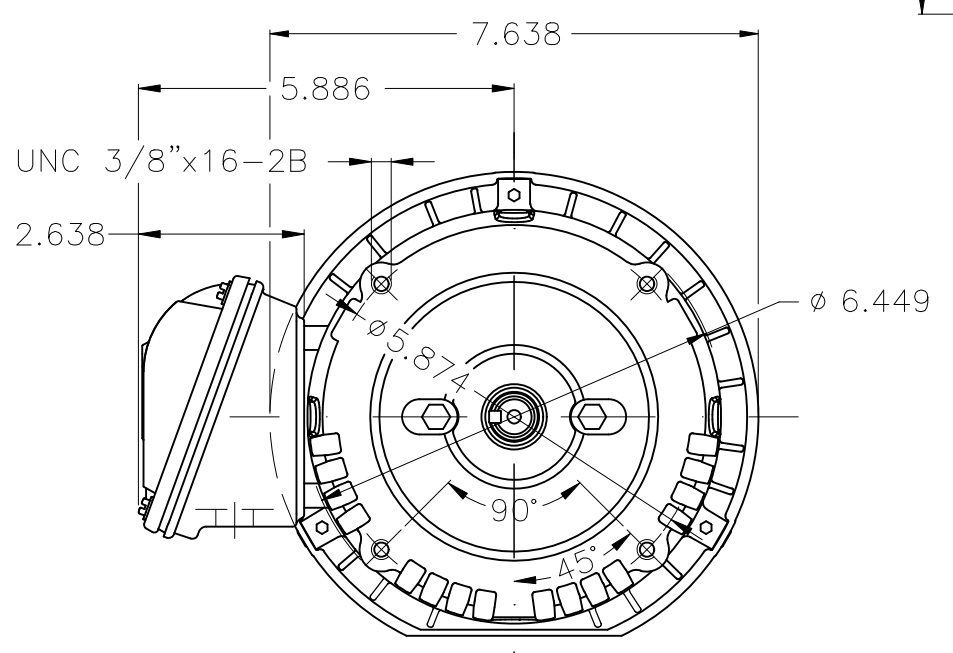
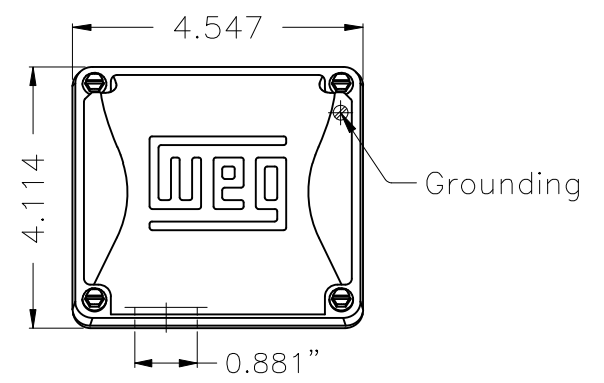
A

B

C

D

E



Color Munsell N 1 matte black						
Painting plan 207N						
Mounting F-1/B14R(D)						
					HYBRISUSER	00
ECM	LOC	SUMMARY OF MODIFICATIONS		EXECUTED	CHECKED	RELEASED
EXECUTED	HYBRISUSER	THREE PH. MOTOR ROLLED STEEL			PREVIEW	
CHECKED		FRAME 56C IP55 TEFC			WDD	00
RELEASED						
REL. DATE	WMO	Jaragua do Sul	Product Engineering	SHEET	1 / 1	

2 HP 04 Poles 60 Hz

A