

DATA SHEET

Three Phase Induction Motor - Squirrel Cage



Customer :					
Product line		: Standard Efficiency Three-Phase	Product code :	12805245	
Frame	: 56C	Cooling method	: IC411 - TEFC		
Insulation class	: F	Mounting	: F-1		
Duty cycle	: Cont.(S1)	Rotation ¹	: Both (CW and CCW)		
Ambient temperature	: -20°C to +40°C	Starting method	: Direct On Line		
Altitude	: 1000 m.a.s.l.	Approx. weight ³	: 12.4 kg		
Protection degree	: IP55	Moment of inertia (J)	: 0.0033 kgm ²		
Design	: A				
Output [HP]	1.5	1	1		
Poles	2	2	2		
Frequency [Hz]	60	50	50		
Rated voltage [V]	230/460	190/380	220/415		
Rated current [A]	3.98/1.99	3.28/1.64	3.04/1.61		
L. R. Amperes [A]	28.7/14.3	26.2/13.1	26.1/13.8		
LRC [A]	7.2x(Code J)	8.0x(Code K)	8.6x(Code L)		
No load current [A]	1.63/0.815	1.57/0.786	1.67/0.884		
Rated speed [RPM]	3460	2885	2900		
Slip [%]	3.89	3.83	3.33		
Rated torque [kgfm]	0.315	0.252	0.250		
Locked rotor torque [%]	240	270	300		
Breakdown torque [%]	270	320	350		
Service factor		1.15	1.15		
Temperature rise	80 K	80 K	80 K		
Locked rotor time	21s (cold) 12s (hot)	0s (cold) 0s (hot)	0s (cold) 0s (hot)		
Noise level ²	68.0 dB(A)	65.0 dB(A)	65.0 dB(A)		
Efficiency (%)	25%	70.4	73.1	71.3	
	50%	72.0	74.2	72.9	
	75%	75.5	78.0	77.5	
	100%	77.0	78.8	78.9	
Power Factor	25%	0.49	0.43	0.39	
	50%	0.76	0.71	0.66	
	75%	0.85	0.82	0.78	
	100%	0.90	0.88	0.85	
Bearing type	: Drive end : 6204 ZZ	Non drive end : 6202 ZZ	Foundation loads		
Sealing	: V'Ring	Without Bearing Seal	Max. traction	: 22 kgf	
			Max. compression	: 34 kgf	
Lubrication interval	: -	-			
Lubricant amount	: -	-			
Lubricant type	: Mobil Polyrex EM				
Notes USABLE @208V 4.40A SF 1.00 SFA 4.40A					
This revision replaces and cancel the previous one, which must be eliminated. (1) Looking the motor from the shaft end. (2) Measured at 1m and with tolerance of +3dB(A). (3) Approximate weight subject to changes after manufacturing process. (4) At 100% of full load.			These are average values based on tests with sinusoidal power supply, subject to the tolerances stipulated in NEMA MG-1.		
Rev.	Changes Summary		Performed	Checked	Date
Performed by					
Checked by				Page	Revision
Date	13/05/2022			1 / 4	

LOAD PERFORMANCE CURVE

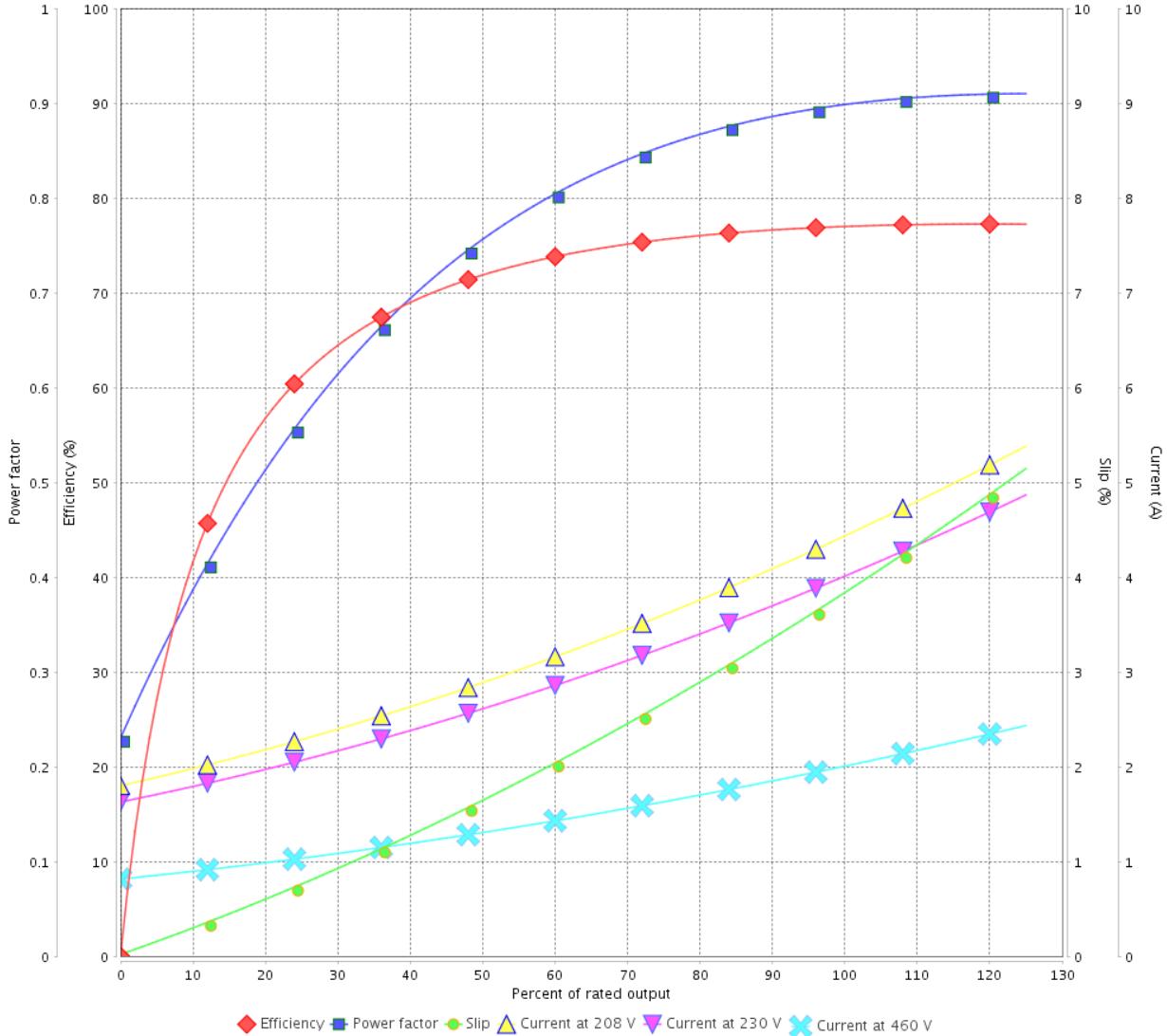
Three Phase Induction Motor - Squirrel Cage



Customer :

Product line : Standard Efficiency Three-Phase Product code : 12805245

LOAD PERFORMANCE CURVE



Performance : 230/460 V 60 Hz 2P

Rated current : 3.98/1.99 A
 LRC : 7.2
 Rated torque : 0.315 kgfm
 Locked rotor torque : 240 %
 Breakdown torque : 270 %
 Rated speed : 3460 rpm

Moment of inertia (J) : 0.0033 kgm²
 Duty cycle : Cont.(S1)
 Insulation class : F
 Service factor :
 Temperature rise : 80 K
 Design : A

Rev.	Changes Summary	Performed	Checked	Date
Performed by			Page 2 / 4	Revision
Checked by				
Date	13/05/2022			

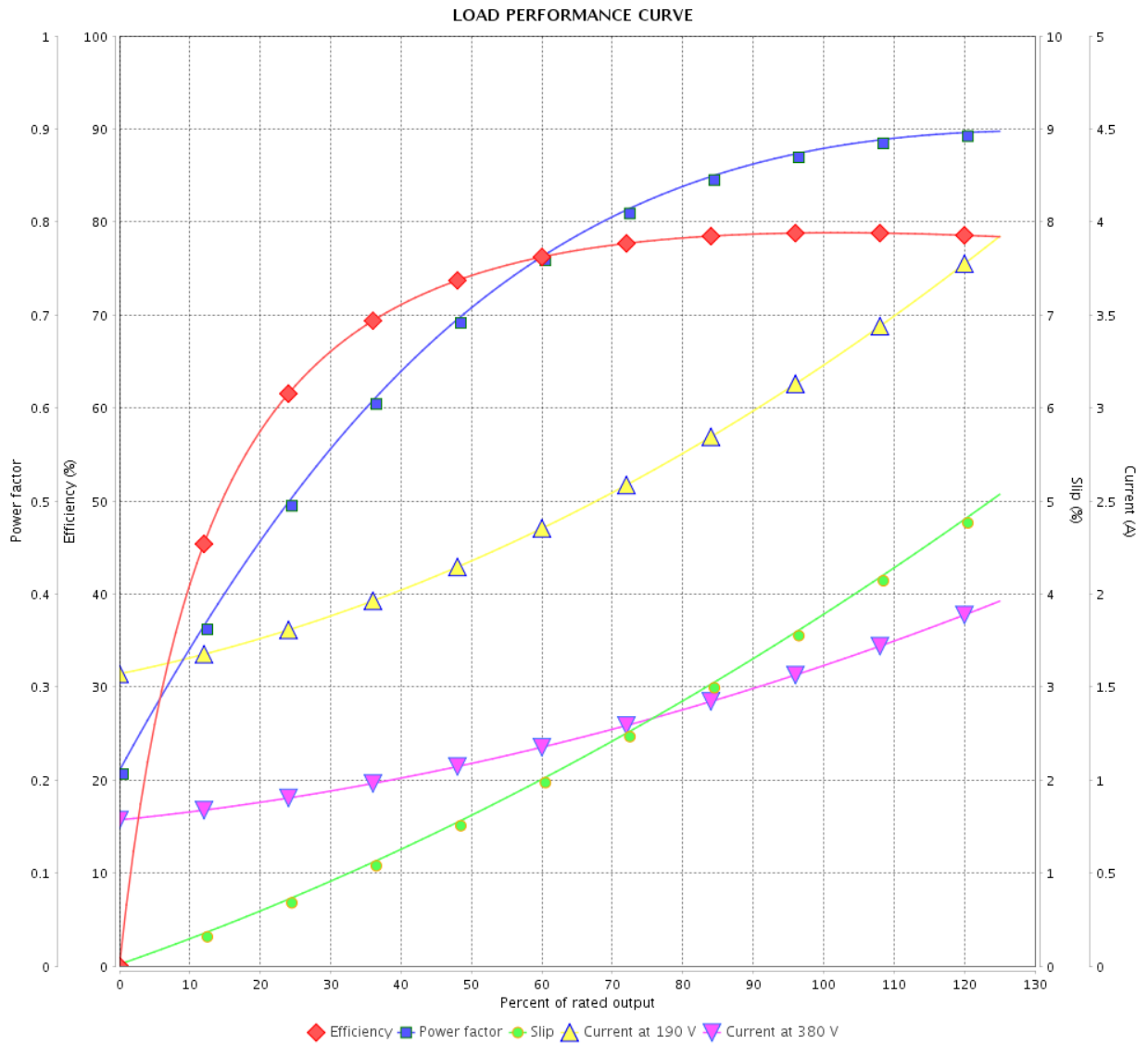
LOAD PERFORMANCE CURVE

Three Phase Induction Motor - Squirrel Cage



Customer : _____

Product line : Standard Efficiency Three-Phase Product code : 12805245



Performance : 190/380 V 50 Hz 2P

Rated current : 3.28/1.64 A
 LRC : 8.0
 Rated torque : 0.252 kgfm
 Locked rotor torque : 270 %
 Breakdown torque : 320 %
 Rated speed : 2885 rpm

Moment of inertia (J) : 0.0033 kgm²
 Duty cycle : Cont.(S1)
 Insulation class : F
 Service factor : 1.15
 Temperature rise : 80 K
 Design : A

Rev.	Changes Summary	Performed	Checked	Date
Performed by			Page	Revision
Checked by				
Date				

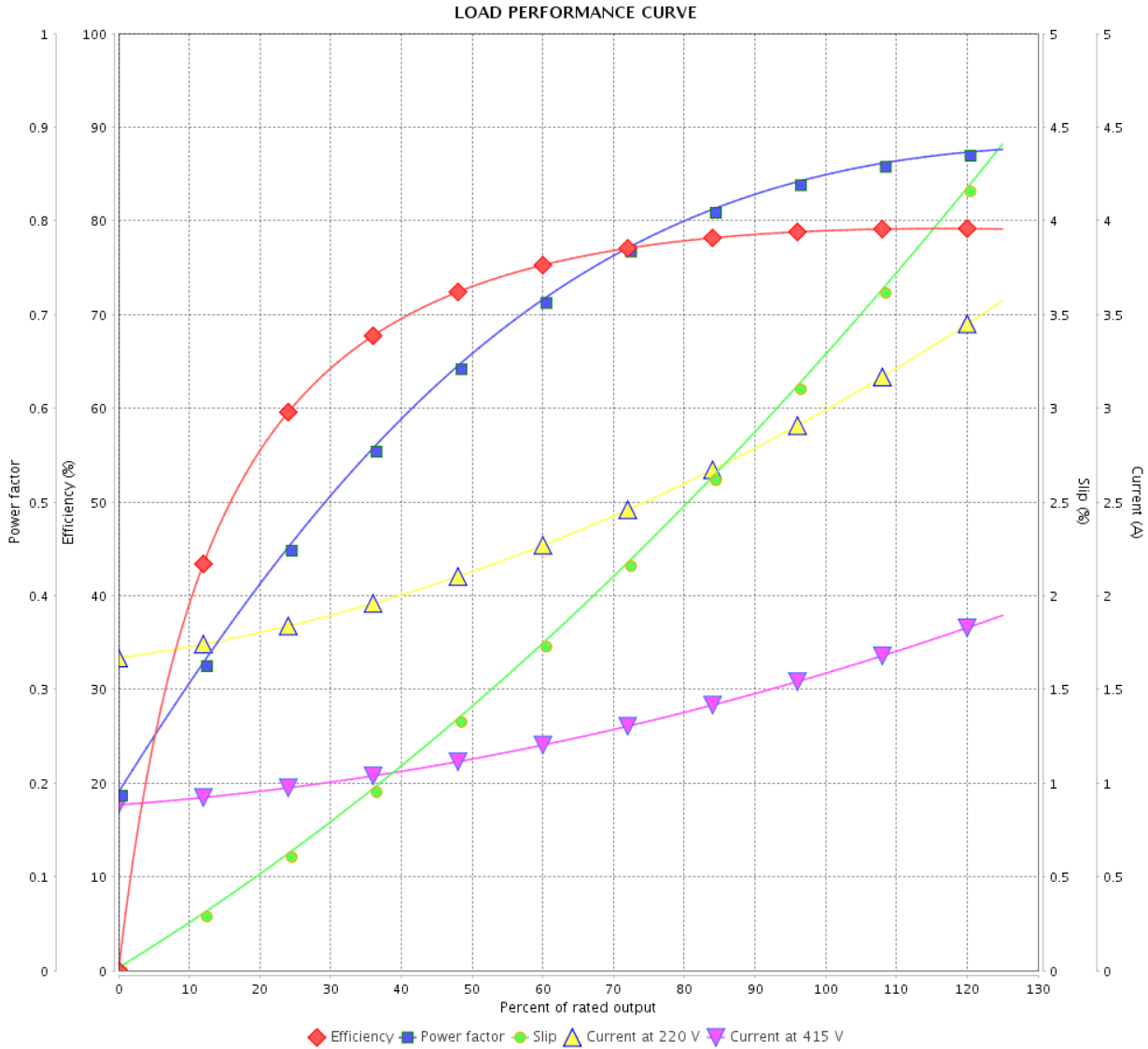
LOAD PERFORMANCE CURVE

Three Phase Induction Motor - Squirrel Cage



Customer :

Product line : Standard Efficiency Three-Phase Product code : 12805245



Performance : 220/415 V 50 Hz 2P

Rated current : 3.04/1.61 A
 LRC : 8.6
 Rated torque : 0.250 kgfm
 Locked rotor torque : 300 %
 Breakdown torque : 350 %
 Rated speed : 2900 rpm

Moment of inertia (J) : 0.0033 kgm²
 Duty cycle : Cont.(S1)
 Insulation class : F
 Service factor : 1.15
 Temperature rise : 80 K
 Design : A

Rev.	Changes Summary	Performed	Checked	Date
Performed by			Page 4 / 4	Revision
Checked by				
Date	13/05/2022			

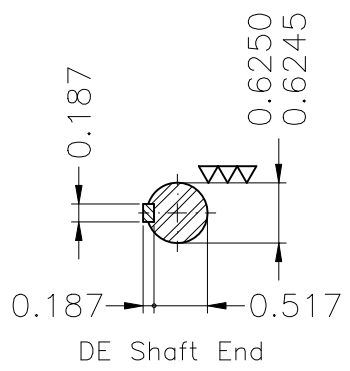
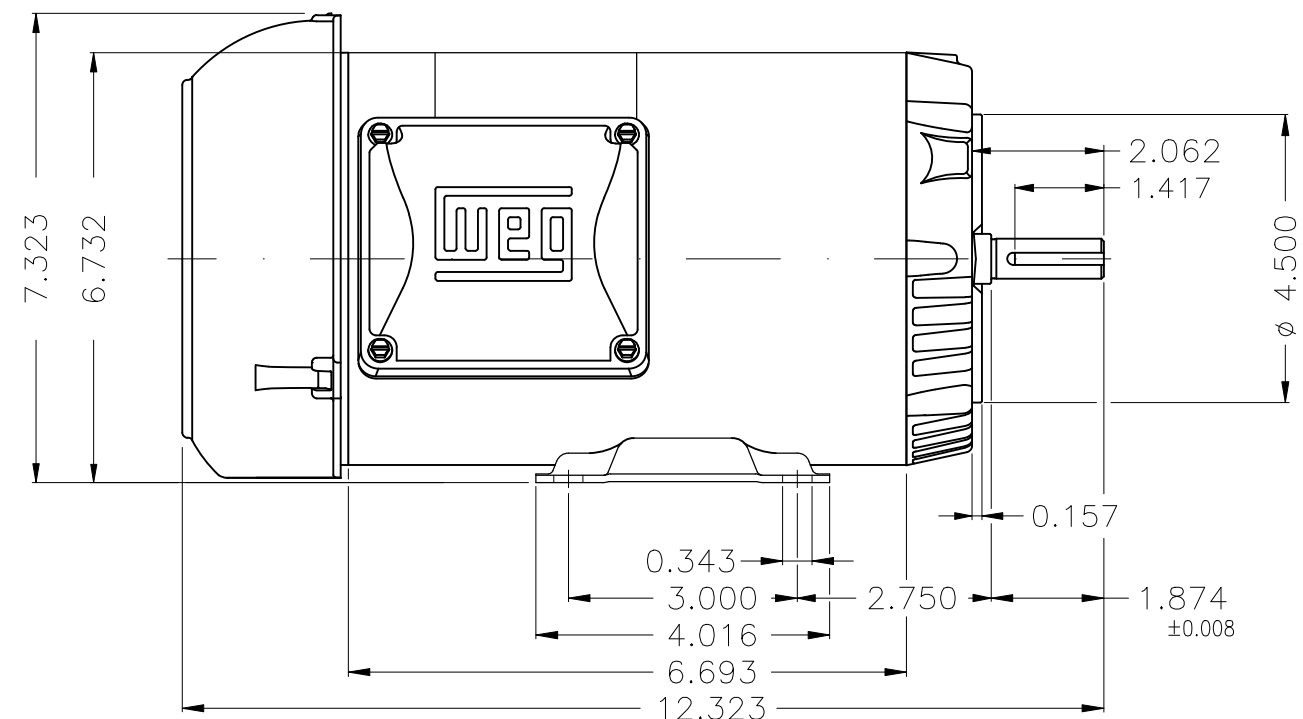
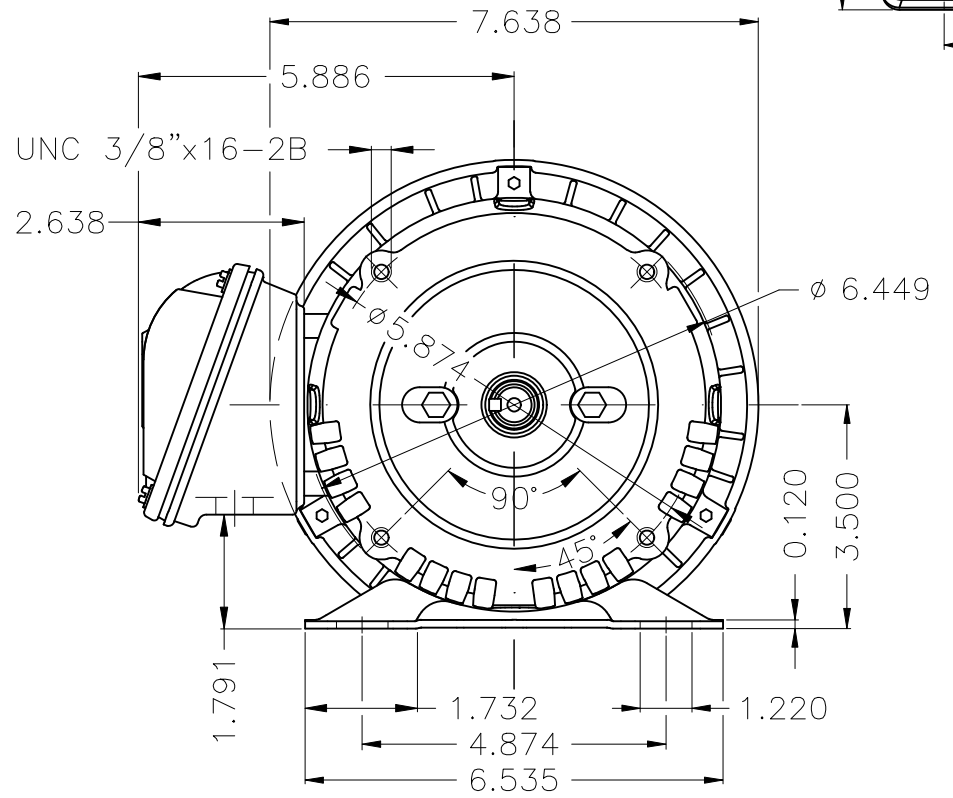
A

B

C

D

E



Color Munsell N 1 matte black						
Painting plan 207N						
Mounting B34D						
					HYBRISUSER	00
ECM	LOC	SUMMARY OF MODIFICATIONS		EXECUTED	CHECKED	RELEASED DATE VER
EXECUTED	HYBRISUSER	THREE PH. MOTOR ROLLED STEEL			PREVIEW	
CHECKED		FRAME 56C IP55 TEFC			WDD	00
RELEASED						
REL. DATE	WMO	Jaragua do Sul	Product Engineering	SHEET	1 / 1	

1.5 HP 02 Poles 60 Hz

A

