

DATA SHEET

Three Phase Induction Motor - Squirrel Cage



Customer					
Product line	: Standard Efficiency Three-Phase	Product code :	12894798		
Frame	: 56C	Cooling method	: IC411 - TEFC		
Insulation class	: F	Mounting	: F-1		
Duty cycle	: Cont.(S1)	Rotation ¹	: Both (CW and CCW)		
Ambient temperature	: -20°C to +40°C	Starting method	: Direct On Line		
Altitude	: 1000 m.a.s.l.	Approx. weight ³	: 12.7 kg		
Protection degree	: IP55	Moment of inertia (J)	: 0.0036 kgm ²		
Design	: A				
Output [HP]	1				
Poles	4				
Frequency [Hz]	60				
Rated voltage [V]	575				
Rated current [A]	1.33				
L. R. Amperes [A]	10.2				
LRC [A]	7.7x(Code M)				
No load current [A]	0.960				
Rated speed [RPM]	1760				
Slip [%]	2.22				
Rated torque [kgfm]	0.412				
Locked rotor torque [%]	270				
Breakdown torque [%]	300				
Service factor	1.15				
Temperature rise	80 K				
Locked rotor time	21s (cold) 12s (hot)				
Noise level ²	52.0 dB(A)				
Efficiency (%)	25%	72.4			
	50%	74.0			
	75%	78.5			
	100%	80.0			
Power Factor	25%	0.26			
	50%	0.48			
	75%	0.62			
	100%	0.71			
Bearing type	: Drive end	Non drive end	Foundation loads		
Sealing	: V'Ring	Without Bearing Seal	Max. traction	: 33 kgf	
Lubrication interval	: -	-	Max. compression	: 46 kgf	
Lubricant amount	: -	-			
Lubricant type	: Mobil Polyrex EM				
Notes					
This revision replaces and cancel the previous one, which must be eliminated. (1) Looking the motor from the shaft end. (2) Measured at 1m and with tolerance of +3dB(A). (3) Approximate weight subject to changes after manufacturing process. (4) At 100% of full load.			These are average values based on tests with sinusoidal power supply, subject to the tolerances stipulated in NEMA MG-1.		
Rev.	Changes Summary		Performed	Checked	Date
Performed by					
Checked by				Page	Revision
Date	13/05/2022			1 / 2	

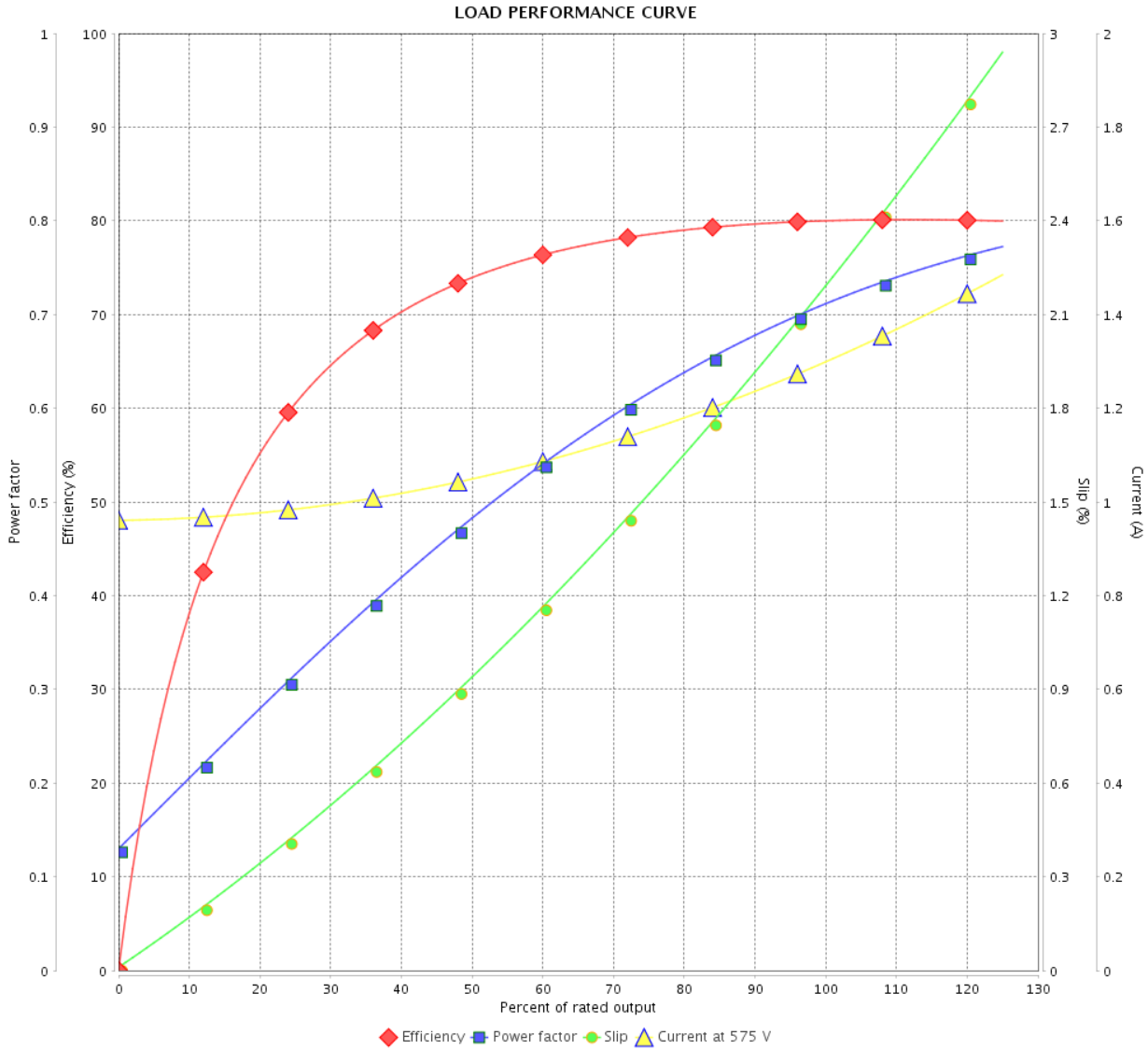
LOAD PERFORMANCE CURVE

Three Phase Induction Motor - Squirrel Cage



Customer :

Product line : Standard Efficiency Three-Phase Product code : 12894798



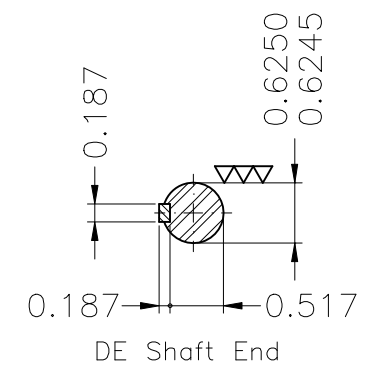
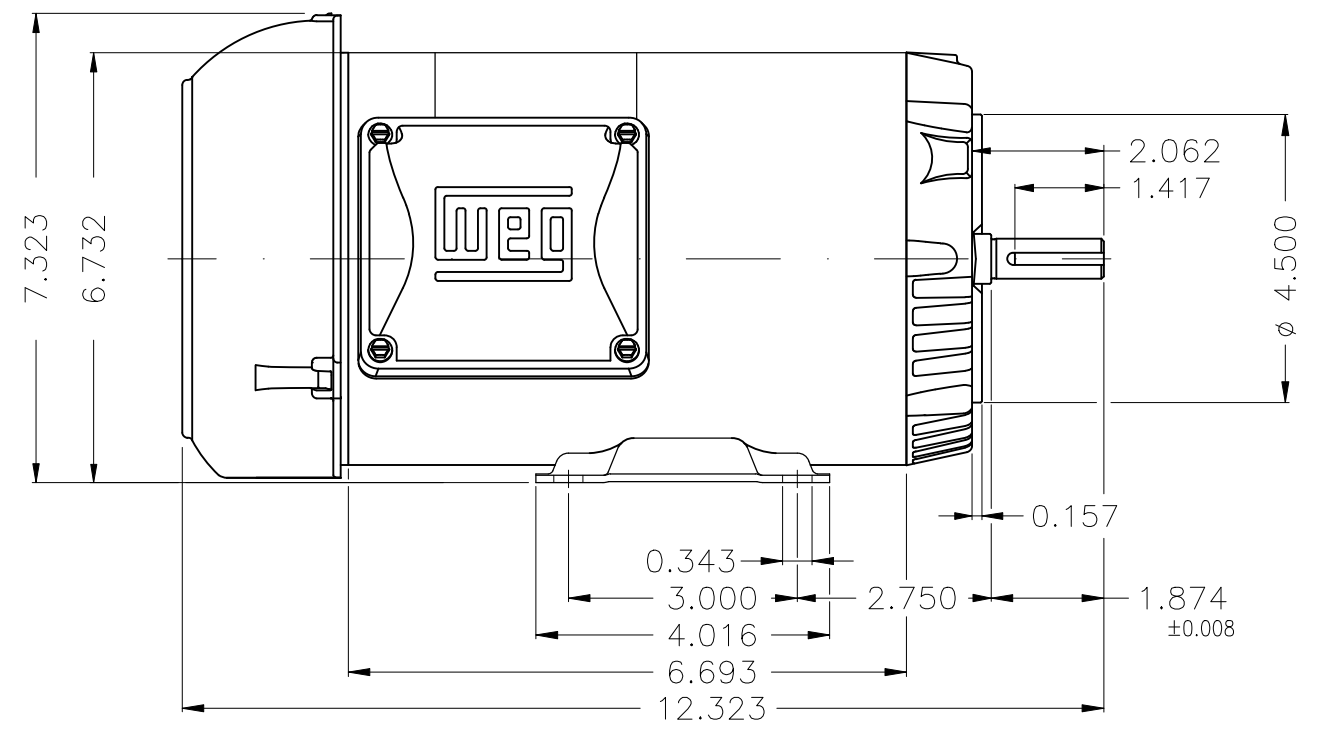
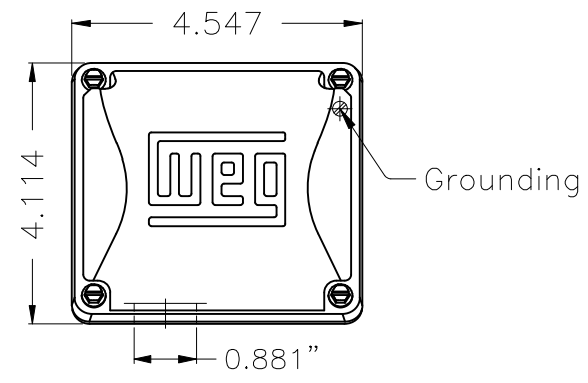
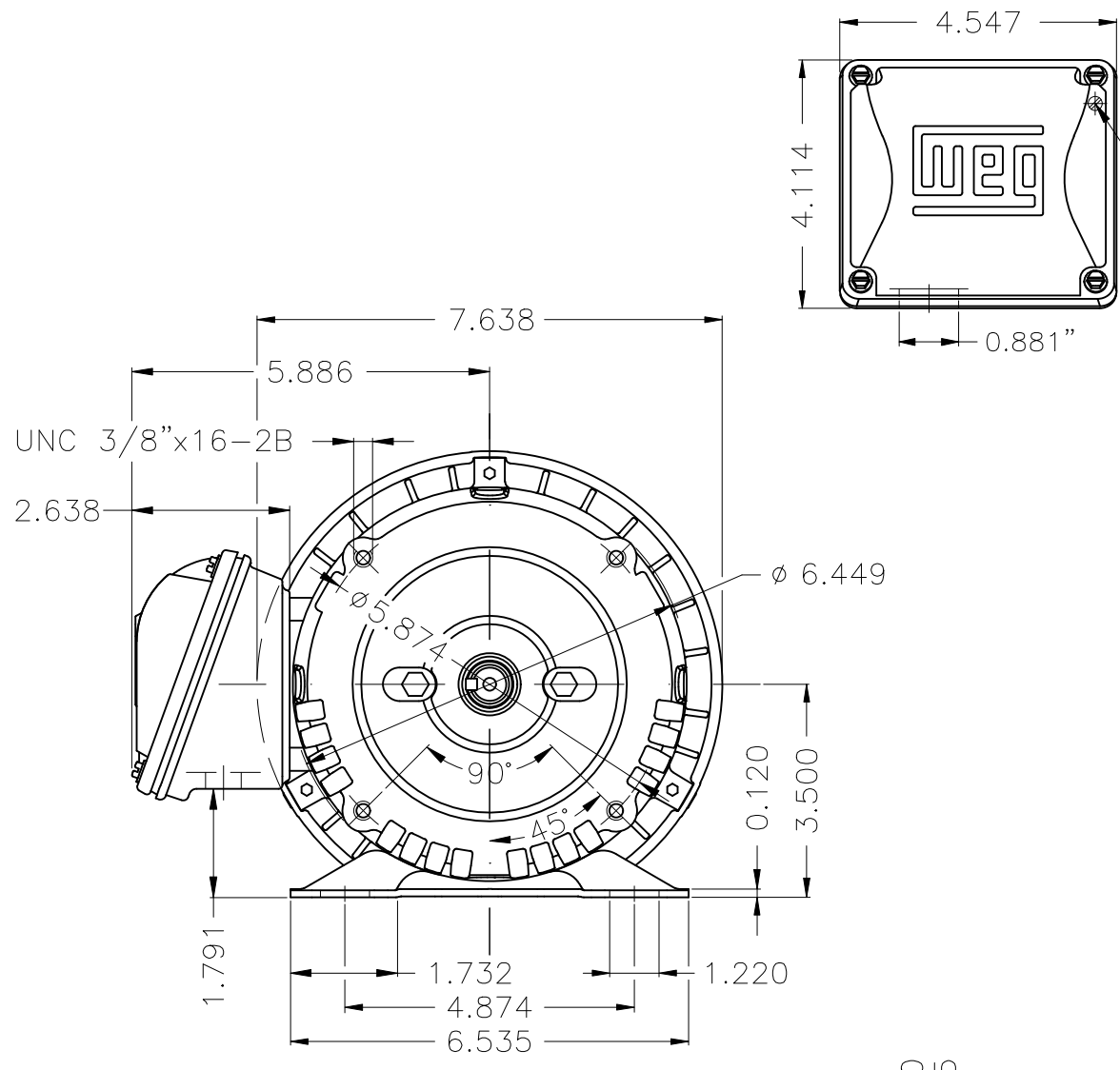
Performance : 575 V 60 Hz 4P

Rated current	: 1.33 A	Moment of inertia (J)	: 0.0036 kgm ²
LRC	: 7.7	Duty cycle	: Cont.(S1)
Rated torque	: 0.412 kgfm	Insulation class	: F
Locked rotor torque	: 270 %	Service factor	: 1.15
Breakdown torque	: 300 %	Temperature rise	: 80 K
Rated speed	: 1760 rpm	Design	: A

Rev.	Changes Summary	Performed	Checked	Date
Performed by			Page 2 / 2	Revision
Checked by				
Date	13/05/2022			

1 2 3 4 5 6

A
B
C
D
E



Color Munsell N 1 matte black
 Painting plan 207N
 Mounting B34D

ECM	LOC	SUMMARY OF MODIFICATIONS	EXECUTED	CHECKED	RELEASED	DATE	VER
EXECUTED	HYBRISUSER	THREE PH. MOTOR ROLLED STEEL FRAME 56C IP55 TEFC					
CHECKED							
RELEASED							
REL. DATE		WMO Jaragua do Sul	Product Engineering	WDD	00		

1 HP 04 Poles 60 Hz

A SHEET 1 / 1



Dimensions in inches XME A3