

DATA SHEET

Single Phase Induction Motor - Squirrel Cage



Customer	:			
Product line	: Single-Phase	Product code : 13407753		
Frame	: 56C	Cooling method : IC411 - TEFC		
Insulation class	: F	Mounting : F-1		
Duty cycle	: Cont.(S1)	Rotation ¹ : Both (CW and CCW)		
Ambient temperature	: -20°C to +40°C	Starting method : Direct On Line		
Altitude	: 1000 m.a.s.l.	Approx. weight ³ : 16.4 kg		
Protection degree	: IP55	Moment of inertia (J) : 0.0044 kgm ²		
Design	: L			
Output [HP]		1		
Poles		4		
Frequency [Hz]		60		
Rated voltage [V]		115/208-230		
Rated current [A]		13.6/7.52-6.80		
L. R. Amperes [A]		91.1/50.4-45.6		
LRC [A]		6.7x(Code M)		
No load current [A]		9.60/4.14-4.80		
Rated speed [RPM]		1745		
Slip [%]		3.06		
Rated torque [kgfm]		0.416		
Locked rotor torque [%]		280		
Breakdown torque [%]		270		
Service factor				
Temperature rise		80 K		
Locked rotor time		14s (cold) 8s (hot)		
Noise level ²		54.0 dB(A)		
Efficiency (%)	25%			
	50%	62.0		
	75%	68.0		
	100%	71.0		
Power Factor	25%			
	50%	0.48		
	75%	0.60		
	100%	0.68		
Bearing type	: Drive end : 6204 ZZ Non drive end : 6202 ZZ	Foundation loads		
Sealing	: V'Ring V'Ring	Max. traction : 27 kgf		
Lubrication interval	: - -	Max. compression : 44 kgf		
Lubricant amount	: - -			
Lubricant type	: Mobil Polyrex EM			
Notes				
<p>This revision replaces and cancel the previous one, which must be eliminated.</p> <p>(1) Looking the motor from the shaft end.</p> <p>(2) Measured at 1m and with tolerance of +3dB(A).</p> <p>(3) Approximate weight subject to changes after manufacturing process.</p> <p>(4) At 100% of full load.</p>		<p>These are average values based on tests with sinusoidal power supply, subject to the tolerances stipulated in NEMA MG-1.</p>		
Rev.	Changes Summary	Performed	Checked	Date
Performed by				
Checked by			Page	Revision
Date	13/05/2022		1 / 2	

LOAD PERFORMANCE CURVE

Single Phase Induction Motor - Squirrel Cage

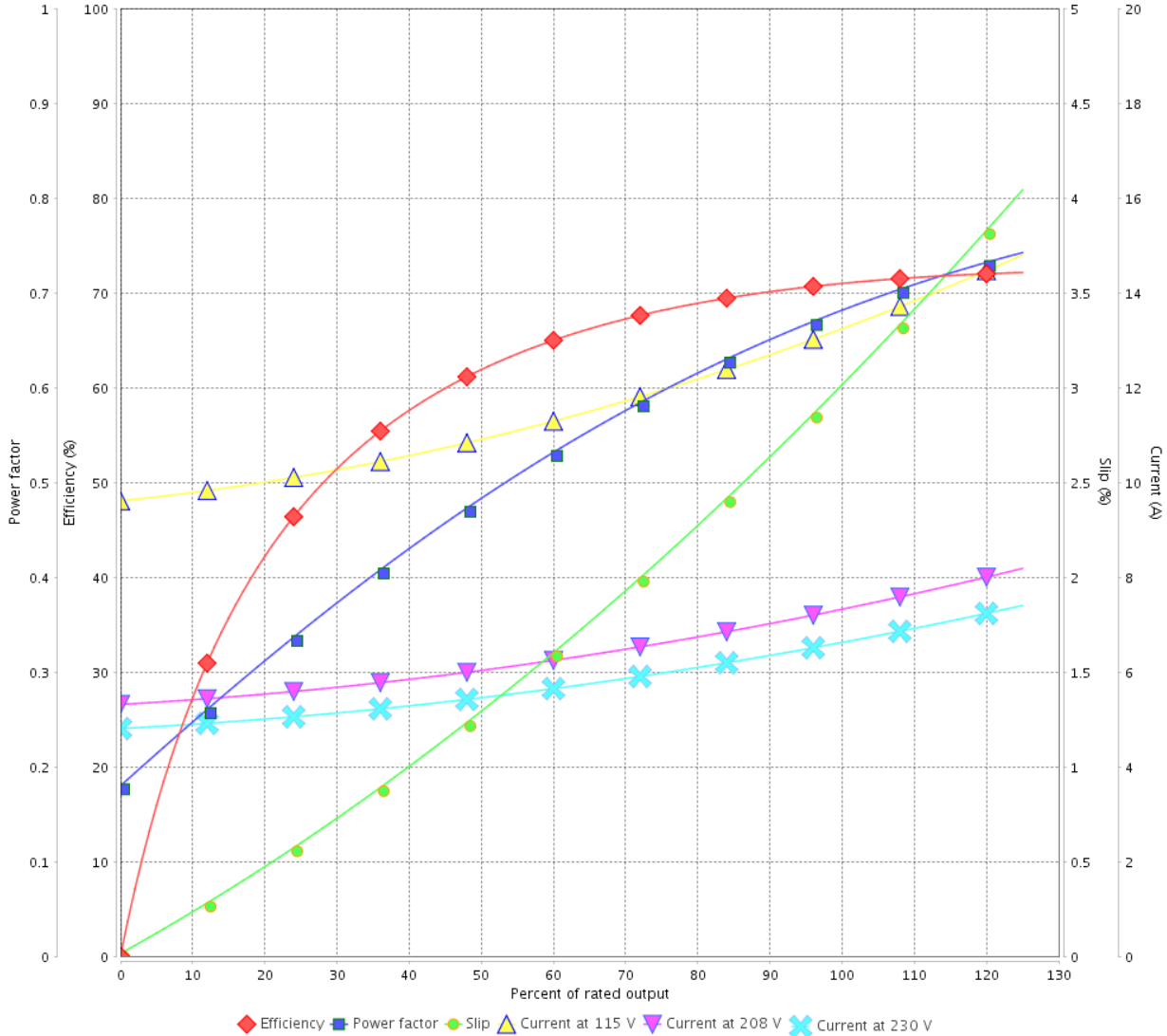


Customer :

Product line : Single-Phase

Product code : 13407753

LOAD PERFORMANCE CURVE

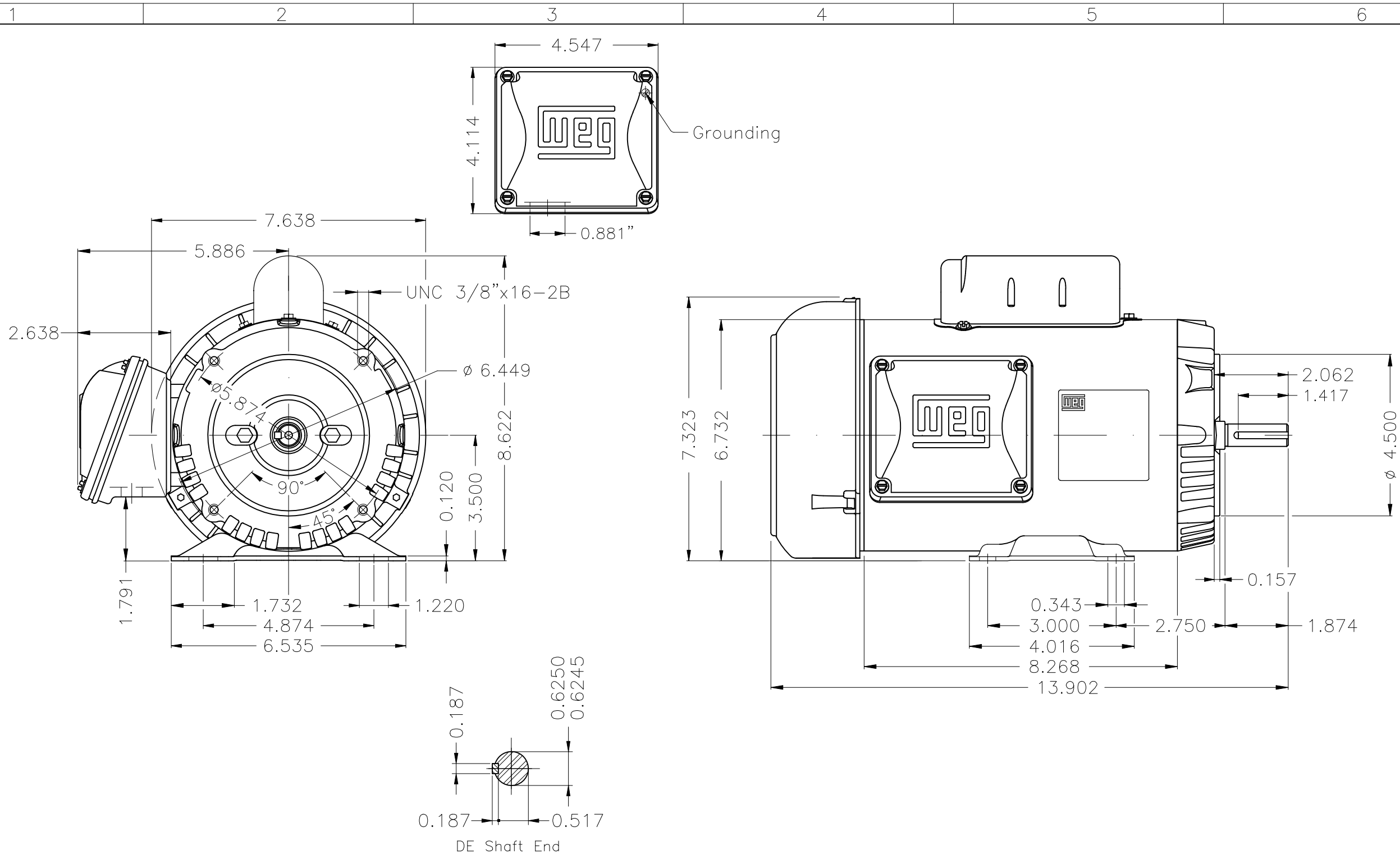


Performance : 115/208-230 V 60 Hz 4P

Rated current : 13.6/7.52-6.80 A
 LRC : 6.7
 Rated torque : 0.416 kgfm
 Locked rotor torque : 280 %
 Breakdown torque : 270 %
 Rated speed : 1745 rpm

Moment of inertia (J) : 0.0044 kgm²
 Duty cycle : Cont.(S1)
 Insulation class : F
 Service factor :
 Temperature rise : 80 K
 Design : L

Rev.	Changes Summary	Performed	Checked	Date
Performed by			Page 2 / 2	Revision
Checked by				
Date	13/05/2022			



Color Munsell N 1 matte black
 Painting plan 207N
 Mounting B34D

ECM	LOC	SUMMARY OF MODIFICATIONS	EXECUTED	CHECKED	RELEASED	DATE	VER
EXECUTED	HYBRISUSER	SINGLE PH. MOTOR ROLLED STEEL FRAME 56C IP55 TEFC					
CHECKED							
RELEASED							

PREVIEW
 WDD 00



1 HP 04 Poles 60 Hz

REL. DATE WMO Jaragua do Sul Product Engineering SHEET 1 / 1