

DATA SHEET

Three Phase Induction Motor - Squirrel Cage



Customer					
Product line	: Standard Efficiency Three-Phase	Product code	: 12894830		
Frame	: 56C	Cooling method	: IC411 - TEFC		
Insulation class	: F	Mounting	: F-1		
Duty cycle	: Cont.(S1)	Rotation ¹	: Both (CW and CCW)		
Ambient temperature	: -20°C to +40°C	Starting method	: Direct On Line		
Altitude	: 1000 m.a.s.l.	Approx. weight ³	: 10.6 kg		
Protection degree	: IP55	Moment of inertia (J)	: 0.0027 kgm ²		
Output [HP]	0.75				
Poles	4				
Frequency [Hz]	60				
Rated voltage [V]	575				
Rated current [A]	0.976				
L. R. Amperes [A]	6.73				
LRC [A]	6.9x(Code K)				
No load current [A]	0.720				
Rated speed [RPM]	1755				
Slip [%]	2.50				
Rated torque [kgfm]	0.310				
Locked rotor torque [%]	240				
Breakdown torque [%]	300				
Service factor	1.15				
Temperature rise	80 K				
Locked rotor time	30s (cold) 17s (hot)				
Noise level ²	52.0 dB(A)				
Efficiency (%)	25%	70.4			
	50%	72.0			
	75%	77.0			
	100%	78.5			
Power Factor	25%	0.26			
	50%	0.48			
	75%	0.61			
	100%	0.72			
Bearing type	: <u>Drive end</u> 6203 ZZ	<u>Non drive end</u> 6202 ZZ	Foundation loads		
Sealing	: V'Ring	Without Bearing Seal	Max. traction	: 24 kgf	
			Max. compression	: 35 kgf	
Lubrication interval	: -	-			
Lubricant amount	: -	-			
Lubricant type	: Mobil Polyrex EM				
Notes					
<p>This revision replaces and cancel the previous one, which must be eliminated.</p> <p>(1) Looking the motor from the shaft end.</p> <p>(2) Measured at 1m and with tolerance of +3dB(A).</p> <p>(3) Approximate weight subject to changes after manufacturing process.</p> <p>(4) At 100% of full load.</p>			<p>These are average values based on tests with sinusoidal power supply, subject to the tolerances stipulated in NEMA MG-1.</p>		
Rev.	Changes Summary		Performed	Checked	Date
Performed by					
Checked by				Page	Revision
Date	16/05/2022			1 / 2	

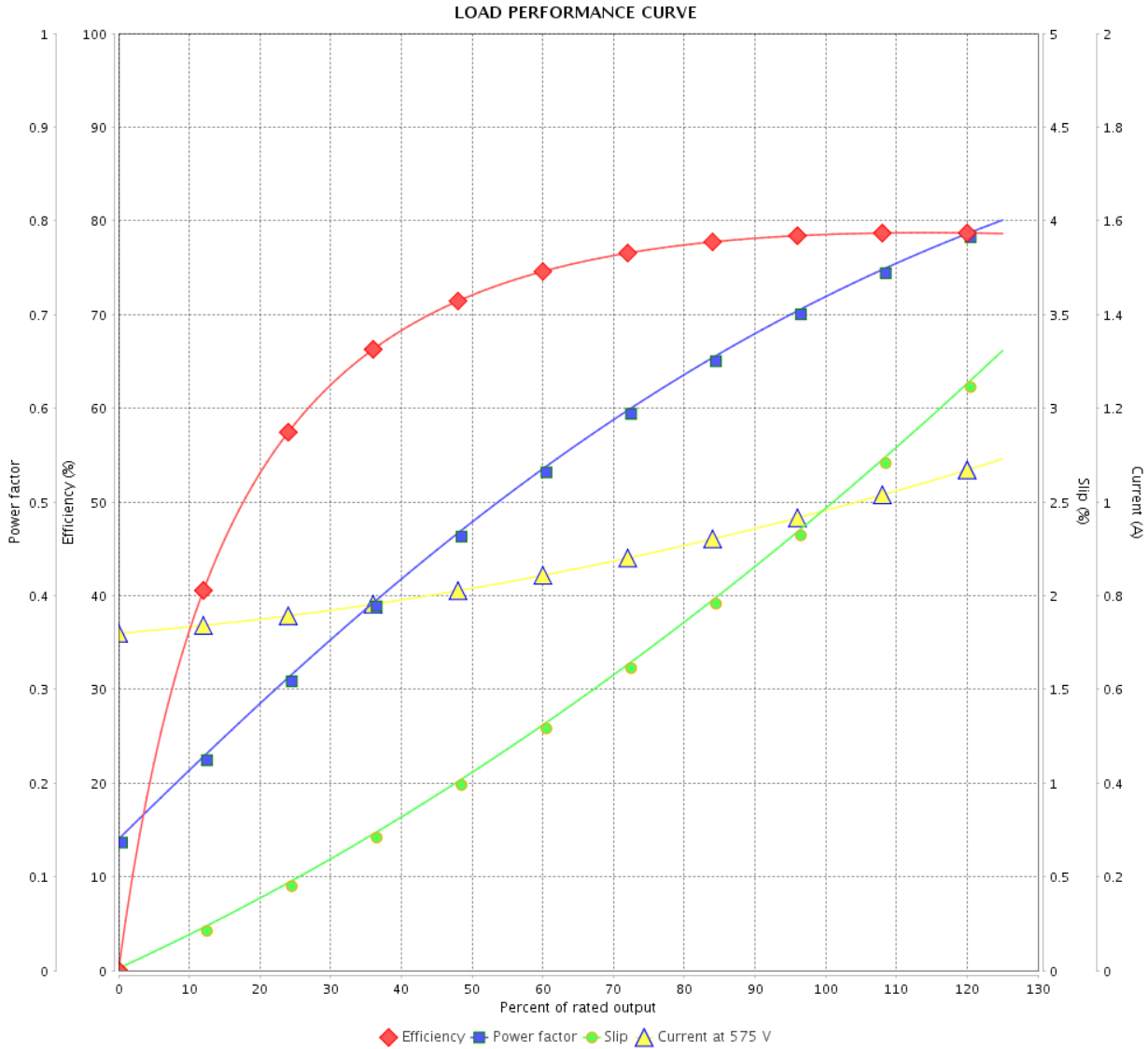
LOAD PERFORMANCE CURVE

Three Phase Induction Motor - Squirrel Cage



Customer :

Product line : Standard Efficiency Three-Phase Product code : 12894830



Performance : 575 V 60 Hz 4P

Rated current : 0.976 A
 LRC : 6.9
 Rated torque : 0.310 kgfm
 Locked rotor torque : 240 %
 Breakdown torque : 300 %
 Rated speed : 1755 rpm

Moment of inertia (J) : 0.0027 kgm²
 Duty cycle : Cont.(S1)
 Insulation class : F
 Service factor : 1.15
 Temperature rise : 80 K

Rev.	Changes Summary	Performed	Checked	Date
Performed by			Page 2 / 2	Revision
Checked by				
Date	16/05/2022			

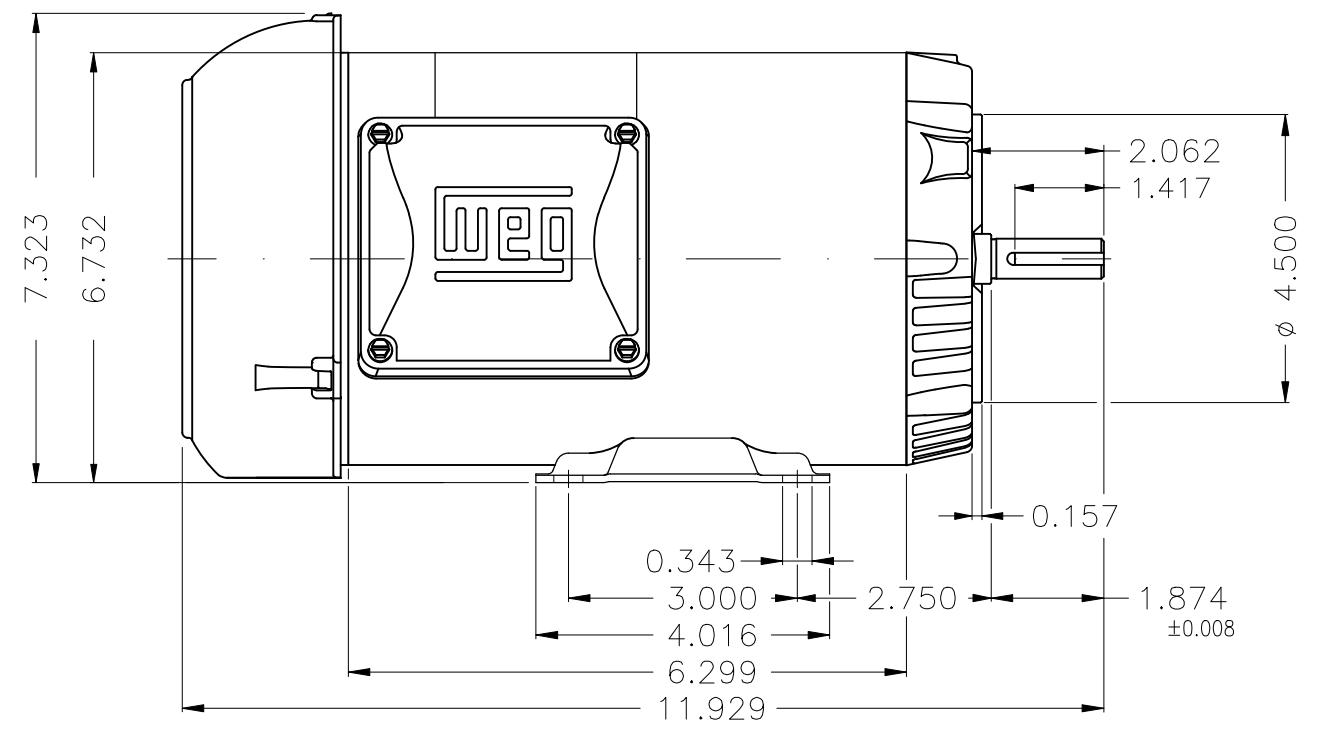
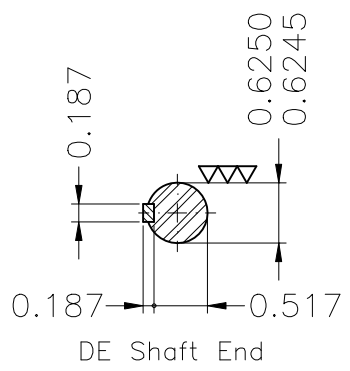
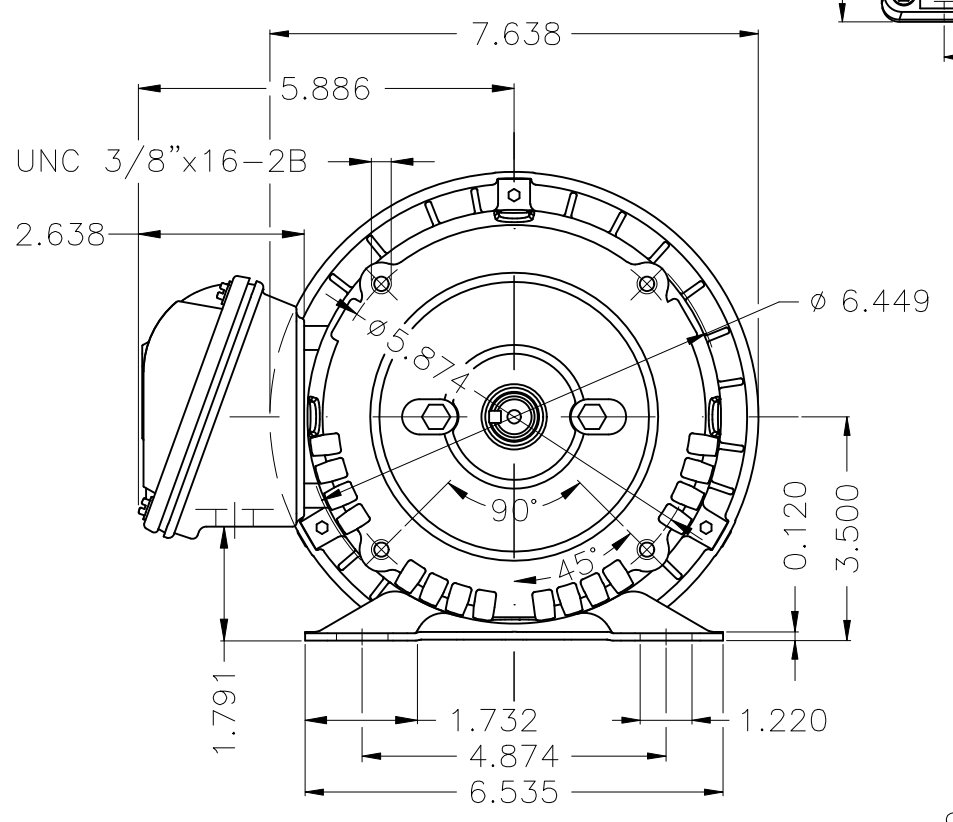
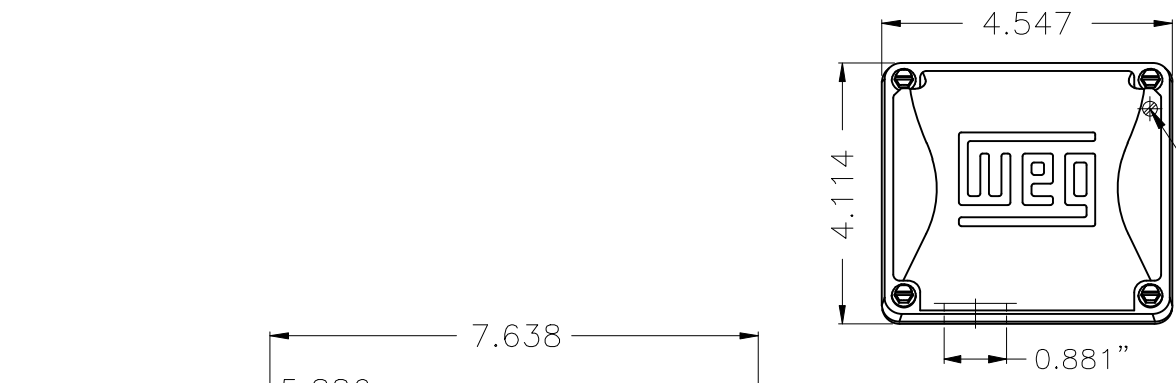
A

B

C

D

E



Color Munsell N 1 matte black									
Painting plan 207N									
Mounting B34D									
HYBRISUSER					00				
ECM	LOC	SUMMARY OF MODIFICATIONS			EXECUTED	CHECKED	RELEASED	DATE	VER
EXECUTED	HYBRISUSER	THREE PH. MOTOR ROLLED STEEL				PREVIEW WDD 00 SHEET 1 / 1			
CHECKED		FRAME 56C IP55 TEFC							
RELEASED									
REL. DATE		WMO	Jaragua do Sul	Product Engineering					

0.75 HP 04 Poles 60 Hz

A

