

DATA SHEET



Three Phase Induction Motor - Squirrel Cage

Customer :

Product line : W40 JP Pump NEMA Premium Efficiency Three-Phase Product code : 16446630

Frame	: 324/6JP	Locked rotor time	: 27s (cold) 15s (hot)
Output	: 60 HP (45 kW)	Temperature rise	: 80 K
Poles	: 2	Duty cycle	: Cont.(S1)
Frequency	: 60 Hz	Ambient temperature	: -20°C to +40°C
Rated voltage	: 575 V	Altitude	: 1000 m.a.s.l.
Rated current	: 57.5 A	Protection degree	: IP23
L. R. Amperes	: 362 A	Cooling method	: IC01 - ODP
LRC	: 6.3x(Code G)	Mounting	: F-1
No load current	: 16.0 A	Rotation ¹	: Both (CW and CCW)
Rated speed	: 3555 rpm	Noise level ²	: 75.0 dB(A)
Slip	: 1.25 %	Starting method	: Direct On Line
Rated torque	: 12.2 kgfm	Approx. weight ³	: 223 kg
Locked rotor torque	: 220 %		
Breakdown torque	: 229 %		
Insulation class	: F		
Service factor	: 1.25		
Moment of inertia (J)	: 0.1610 kgm ²		
Design	: B		

Output	50%	75%	100%	Foundation loads
Efficiency (%)	92.4	93.0	93.6	Max. traction
Power Factor	0.72	0.81	0.84	Max. compression

	Drive end	Non drive end
Bearing type	: 6312 Z C3	6211 Z C3
Sealing	: Without Bearing Seal	Without Bearing Seal
Lubrication interval	: 19658 h	20000 h
Lubricant amount	: 21 g	11 g
Lubricant type	: Mobil Polyrex EM	

Notes

This revision replaces and cancel the previous one, which must be eliminated.

- (1) Looking the motor from the shaft end.
- (2) Measured at 1m and with tolerance of +3dB(A).
- (3) Approximate weight subject to changes after manufacturing process.
- (4) At 100% of full load.

These are average values based on tests with sinusoidal power supply, subject to the tolerances stipulated in NEMA MG-1.

Rev.	Changes Summary	Performed	Checked	Date
Performed by		Page		Revision
Checked by		1 / 2		
Date	30/10/2024			

LOAD PERFORMANCE CURVE

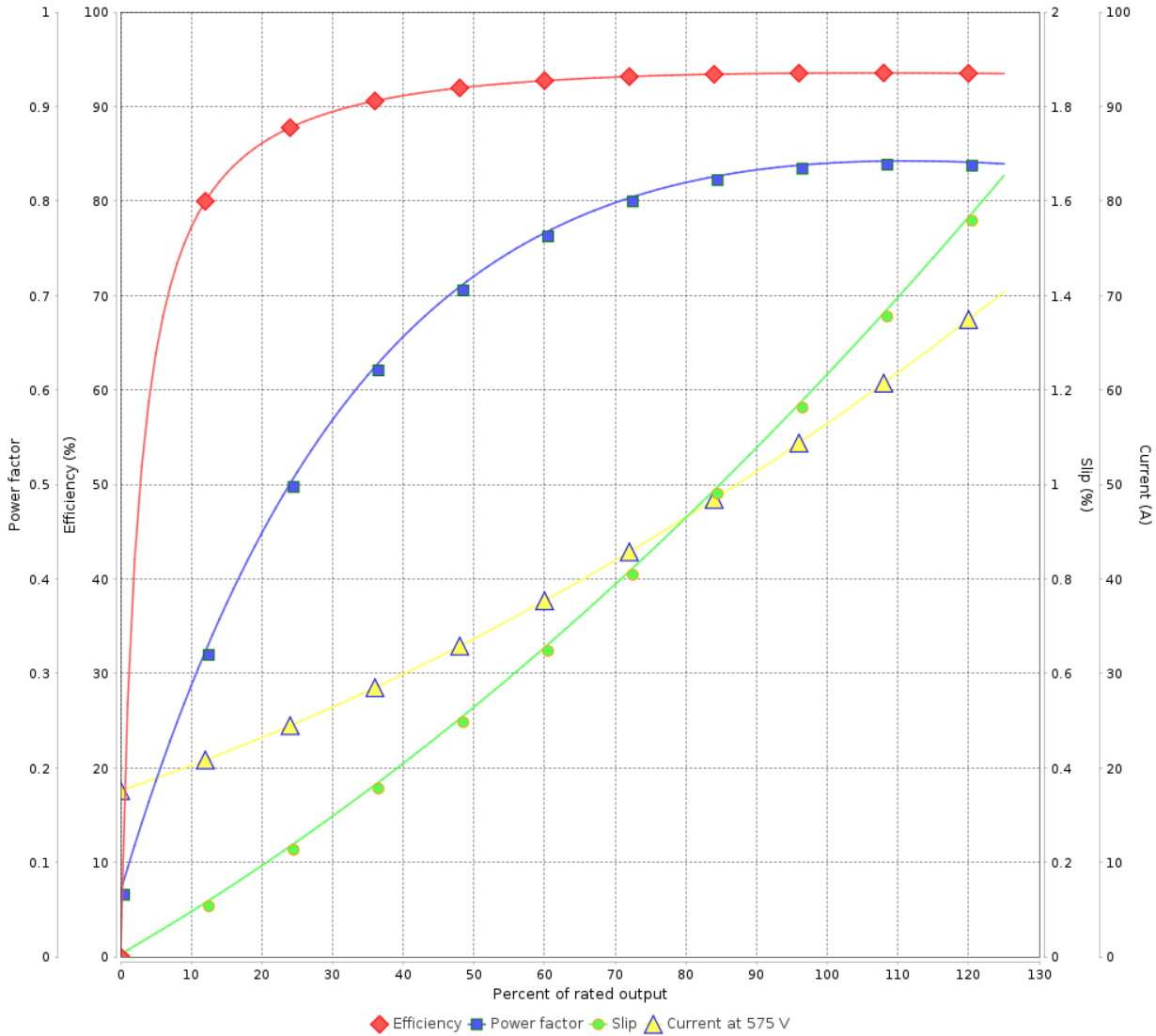
Three Phase Induction Motor - Squirrel Cage



Customer :

Product line : W40 JP Pump NEMA Premium Efficiency Three-Phase Product code : 16446630

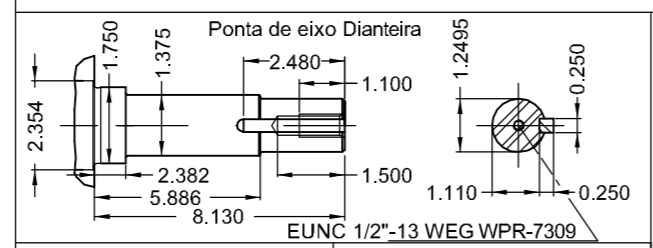
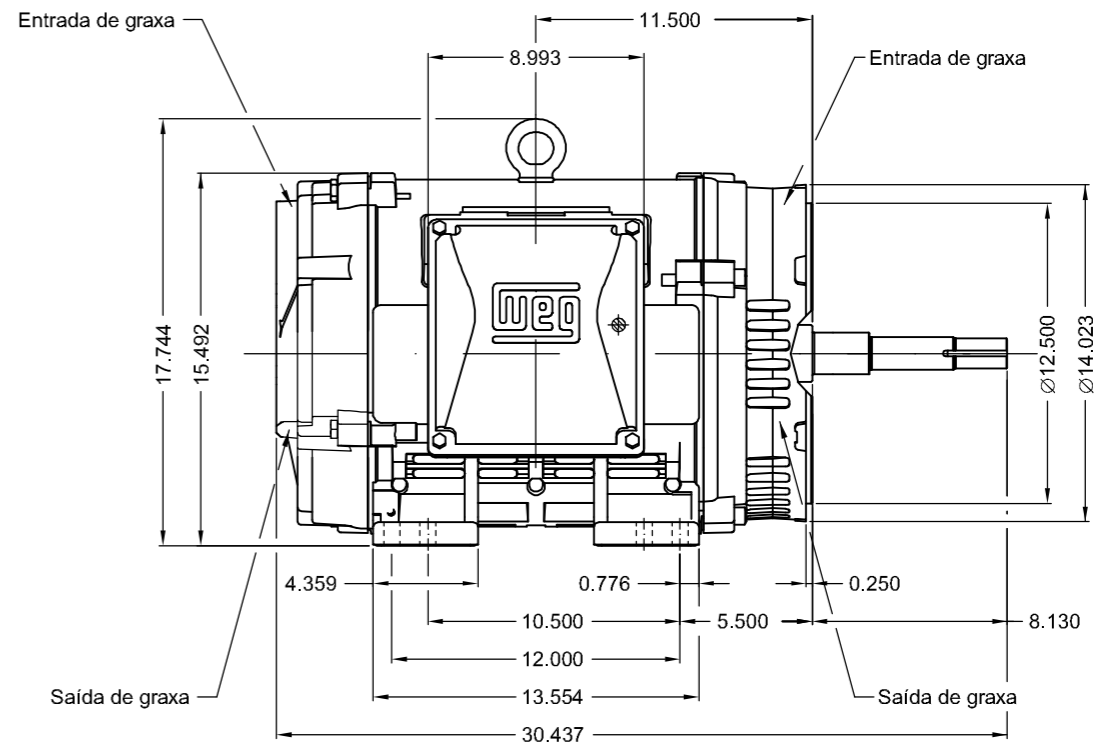
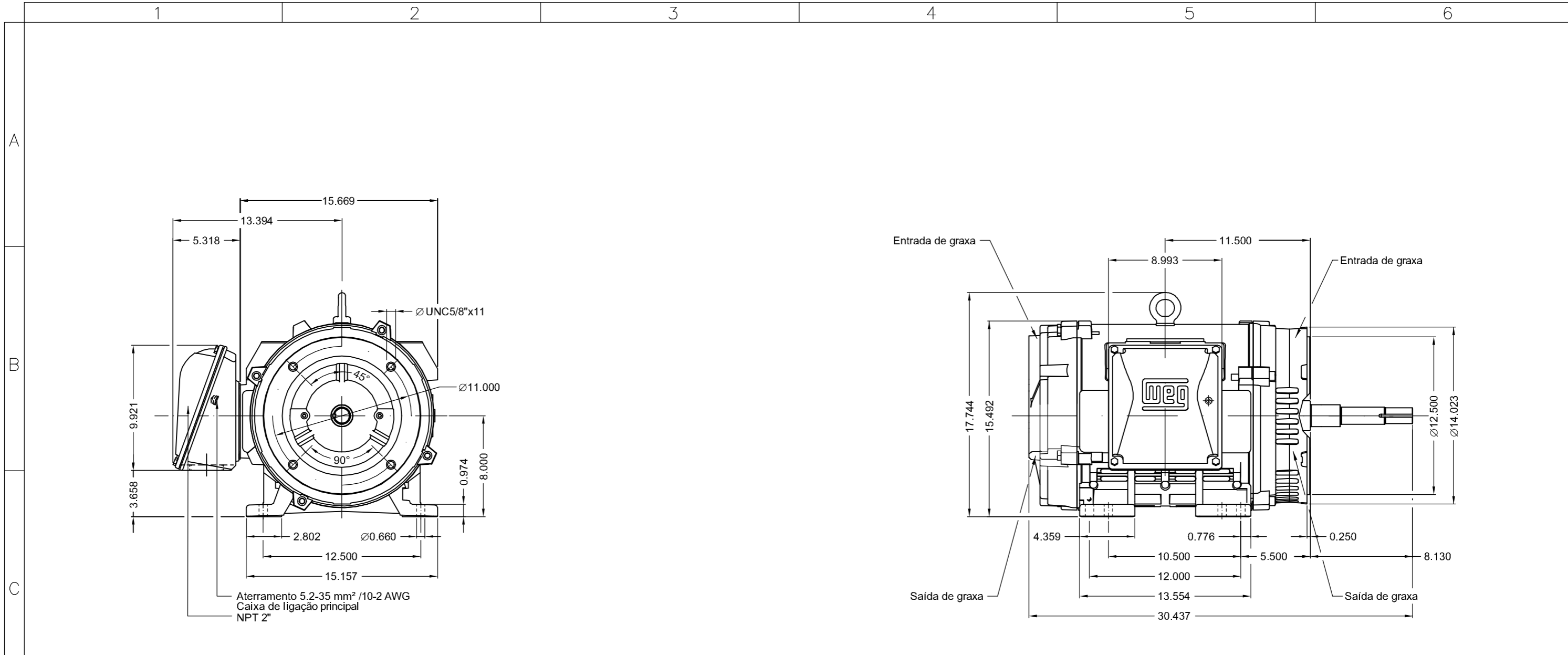
LOAD PERFORMANCE CURVE



Performance : 575 V 60 Hz 2P

Rated current	: 57.5 A	Moment of inertia (J)	: 0.1610 kgm ²
LRC	: 6.3	Duty cycle	: Cont.(S1)
Rated torque	: 12.2 kgfm	Insulation class	: F
Locked rotor torque	: 220 %	Service factor	: 1.25
Breakdown torque	: 229 %	Temperature rise	: 80 K
Rated speed	: 3555 rpm	Design	: B

Rev.	Changes Summary	Performed	Checked	Date
Performed by			Page	Revision
Checked by			2 / 2	
Date	30/10/2024			



60 HP 02 Polos 60 Hz							A
V.J. PAMENSKY CANADA INC.							
						1:8	
500002169438		PCR 100000137070	JACKSONHM	ITALOGRAHL	ITALOGRAHL	12.07.2022 02	
500002168866		ALT CONFORME 419892869	CLAUDEMIRR	JACKSONDC	JACKSONDC	08.07.2022 01	
ECM	LOC	RESUMO MODIFICAÇÃO	EXECUTADO	VERIFICADO	LIBERADO	DATA VER	
EXECUTOR	DANIELAW	MOTOR TRIFÁSICO W40 NEMA PREMIUM EFF CARÇAÇA 324/6JP IP23 ODP	10009349374				
VERIFICADOR	DANIELAW		000	02			
LIBERADOR	AMANDAL						
DATA LB.	26.01.2022	WMO	JARAGUA DO SUL	Engenharia de Produto	FOLHA	1 / 1	

Forma construtiva B34D