

# DATA SHEET



## Three Phase Induction Motor - Squirrel Cage

Customer	:			
Product line	: NEMA Premium Efficiency Three-Phase	Product code : 12674774		
Frame	: 182/4T	Cooling method : IC01 - ODP		
Insulation class	: F	Mounting : F-1		
Duty cycle	: Cont.(S1)	Rotation <sup>1</sup> : Both (CW and CCW)		
Ambient temperature	: -20°C to +40°C	Starting method : Direct On Line		
Altitude	: 1000 m.a.s.l.	Approx. weight <sup>3</sup> : 25.6 kg		
Design	: B	Moment of inertia (J) : 0.0058 kgm <sup>2</sup>		
Output [HP]		5		
Poles		2		
Frequency [Hz]		60		
Rated voltage [V]		575		
Rated current [A]		4.88		
L. R. Amperes [A]		37.1		
LRC [A]		7.6x(Code J)		
No load current [A]		2.06		
Rated speed [RPM]		3510		
Slip [%]		2.50		
Rated torque [kgfm]		1.03		
Locked rotor torque [%]		190		
Breakdown torque [%]		300		
Service factor		1.15		
Temperature rise		80 K		
Locked rotor time		21s (cold) 12s (hot)		
Noise level <sup>2</sup>		65.0 dB(A)		
Efficiency (%)	25%	85.2		
	50%	85.5		
	75%	86.5		
	100%	86.5		
Power Factor	25%	0.45		
	50%	0.73		
	75%	0.83		
	100%	0.88		
Bearing type	: <u>Drive end</u> 6206 ZZ <u>Non drive end</u> 6205 ZZ	Foundation loads		
Sealing	: Without Without Bearing Seal Bearing Seal	Max. traction : 52 kgf Max. compression : 77 kgf		
Lubrication interval	: - -			
Lubricant amount	: - -			
Lubricant type	: Mobil Polyrex EM			
Notes				
This revision replaces and cancel the previous one, which must be eliminated. (1) Looking the motor from the shaft end. (2) Measured at 1m and with tolerance of +3dB(A). (3) Approximate weight subject to changes after manufacturing process. (4) At 100% of full load.		These are average values based on tests with sinusoidal power supply, subject to the tolerances stipulated in NEMA MG-1.		
Rev.	Changes Summary	Performed	Checked	Date
Performed by				
Checked by			Page	Revision
Date	13/05/2022		1 / 2	

# LOAD PERFORMANCE CURVE

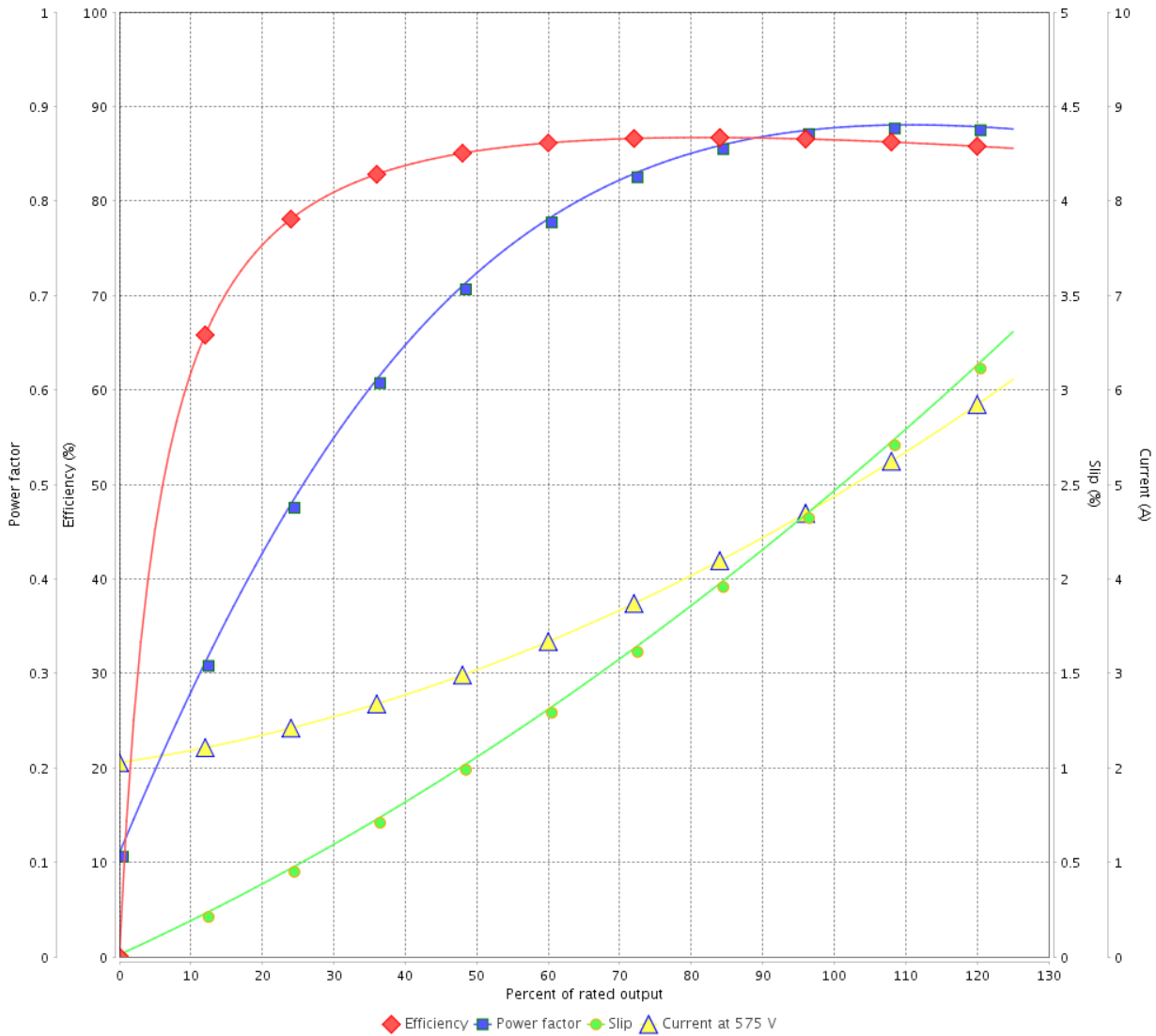
Three Phase Induction Motor - Squirrel Cage



Customer : \_\_\_\_\_

Product line : NEMA Premium Efficiency Three-Phase      Product code : 12674774

LOAD PERFORMANCE CURVE



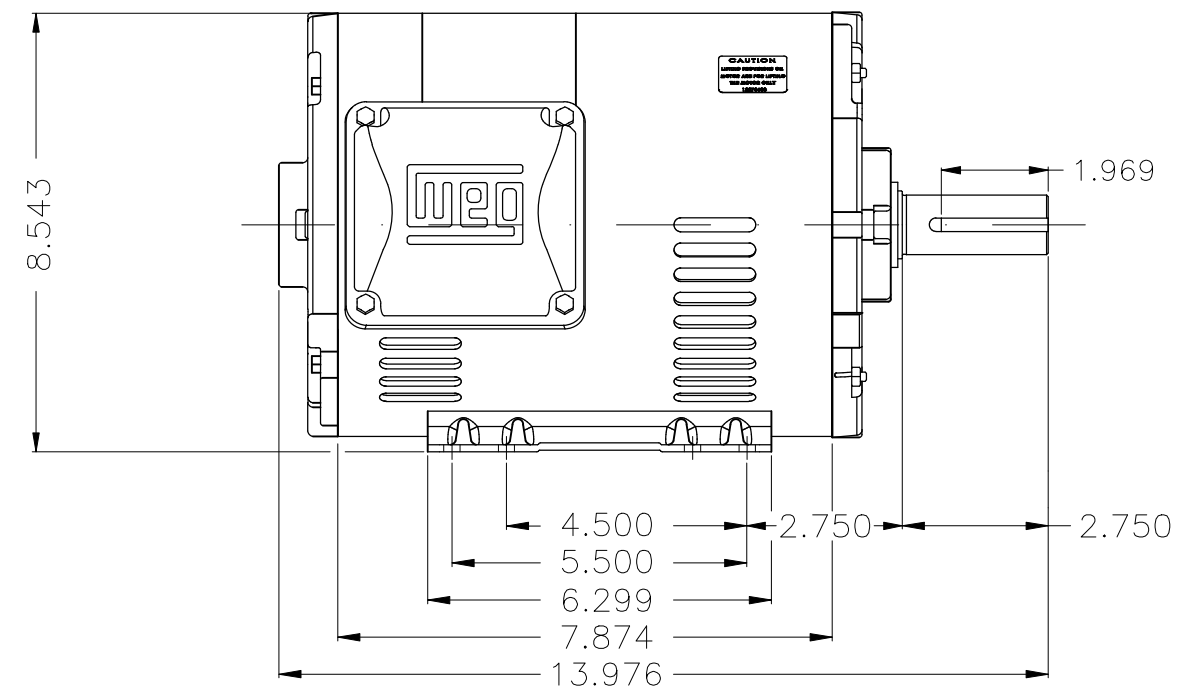
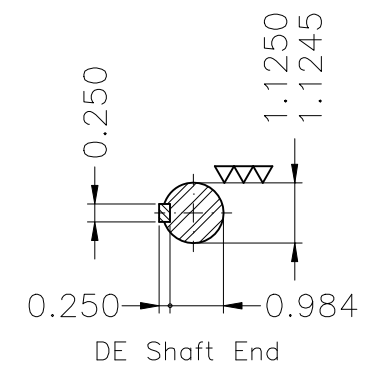
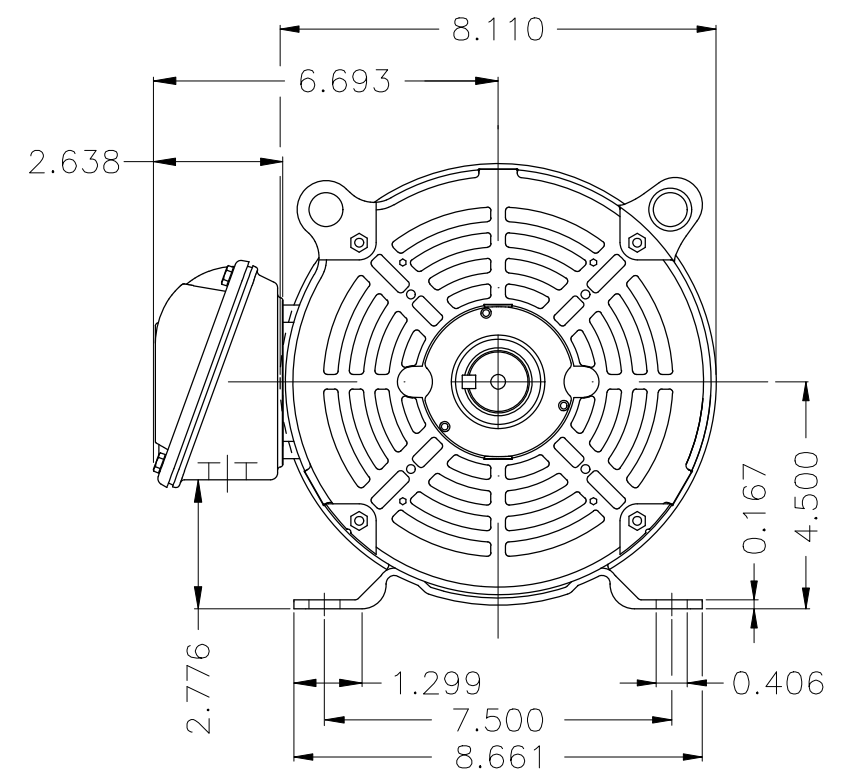
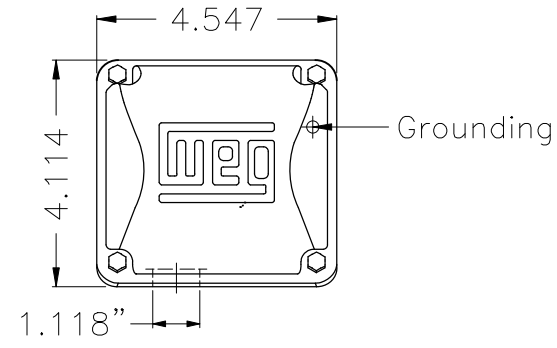
Performance : 575 V 60 Hz 2P

Rated current	: 4.88 A	Moment of inertia (J)	: 0.0058 kgm <sup>2</sup>
LRC	: 7.6	Duty cycle	: Cont.(S1)
Rated torque	: 1.03 kgfm	Insulation class	: F
Locked rotor torque	: 190 %	Service factor	: 1.15
Breakdown torque	: 300 %	Temperature rise	: 80 K
Rated speed	: 3510 rpm	Design	: B

Rev.	Changes Summary	Performed	Checked	Date
Performed by			Page 2 / 2	Revision
Checked by				
Date	13/05/2022			

1 2 3 4 5 6

A  
B  
C  
D  
E



Color Munsell N 1 matte black									
Painting plan 207N									
Mounting F-1/B3R(D)									
					HYBRISUSER	00			
ECM	LOC	SUMMARY OF MODIFICATIONS			EXECUTED	CHECKED	RELEASED	DATE	VER
EXECUTED	HYBRISUSER	THREE PH. MOTOR ROLLED STEEL NEMA PREM. EFF.				PREVIEW			
CHECKED		FRAME 182/4T IP21 ODP				WDD	00		
RELEASED									
REL. DATE		WMO	Jaragua do Sul	Product Engineering	SHEET	1 / 1			

5 HP 02 Poles 60 Hz

A

