

DATA SHEET



Three Phase Induction Motor - Squirrel Cage

Customer	:				
Product line	: NEMA Premium Efficiency Three-Phase	Product code :	12630368		
Frame	: 182/4T	Cooling method	: IC01 - ODP		
Insulation class	: F	Mounting	: F-1		
Duty cycle	: Cont.(S1)	Rotation ¹	: Both (CW and CCW)		
Ambient temperature	: -20°C to +40°C	Starting method	: Direct On Line		
Altitude	: 1000 m.a.s.l.	Approx. weight ³	: 31.3 kg		
Design	: B	Moment of inertia (J)	: 0.0130 kgm ²		
Output [HP]	3				
Poles	4				
Frequency [Hz]	60				
Rated voltage [V]	575				
Rated current [A]	3.09				
L. R. Amperes [A]	25.9				
LRC [A]	8.4x(Code K)				
No load current [A]	1.66				
Rated speed [RPM]	1765				
Slip [%]	1.94				
Rated torque [kgfm]	1.23				
Locked rotor torque [%]	220				
Breakdown torque [%]	330				
Service factor	1.15				
Temperature rise	80 K				
Locked rotor time	27s (cold) 15s (hot)				
Noise level ²	55.0 dB(A)				
Efficiency (%)	25%	86.4			
	50%	87.5			
	75%	88.5			
	100%	89.5			
Power Factor	25%	0.35			
	50%	0.60			
	75%	0.73			
	100%	0.80			
Bearing type	: Drive end	Non drive end	Foundation loads		
Sealing	: 6206 ZZ	6205 ZZ	Max. traction	: 69 kgf	
Lubrication interval	: Without	Without	Max. compression	: 101 kgf	
Lubricant amount	: Bearing Seal	Bearing Seal			
Lubricant type	: -	-			
Notes					
This revision replaces and cancel the previous one, which must be eliminated. (1) Looking the motor from the shaft end. (2) Measured at 1m and with tolerance of +3dB(A). (3) Approximate weight subject to changes after manufacturing process. (4) At 100% of full load.			These are average values based on tests with sinusoidal power supply, subject to the tolerances stipulated in NEMA MG-1.		
Rev.	Changes Summary		Performed	Checked	Date
Performed by					
Checked by				Page	Revision
Date	13/05/2022			1 / 2	

LOAD PERFORMANCE CURVE

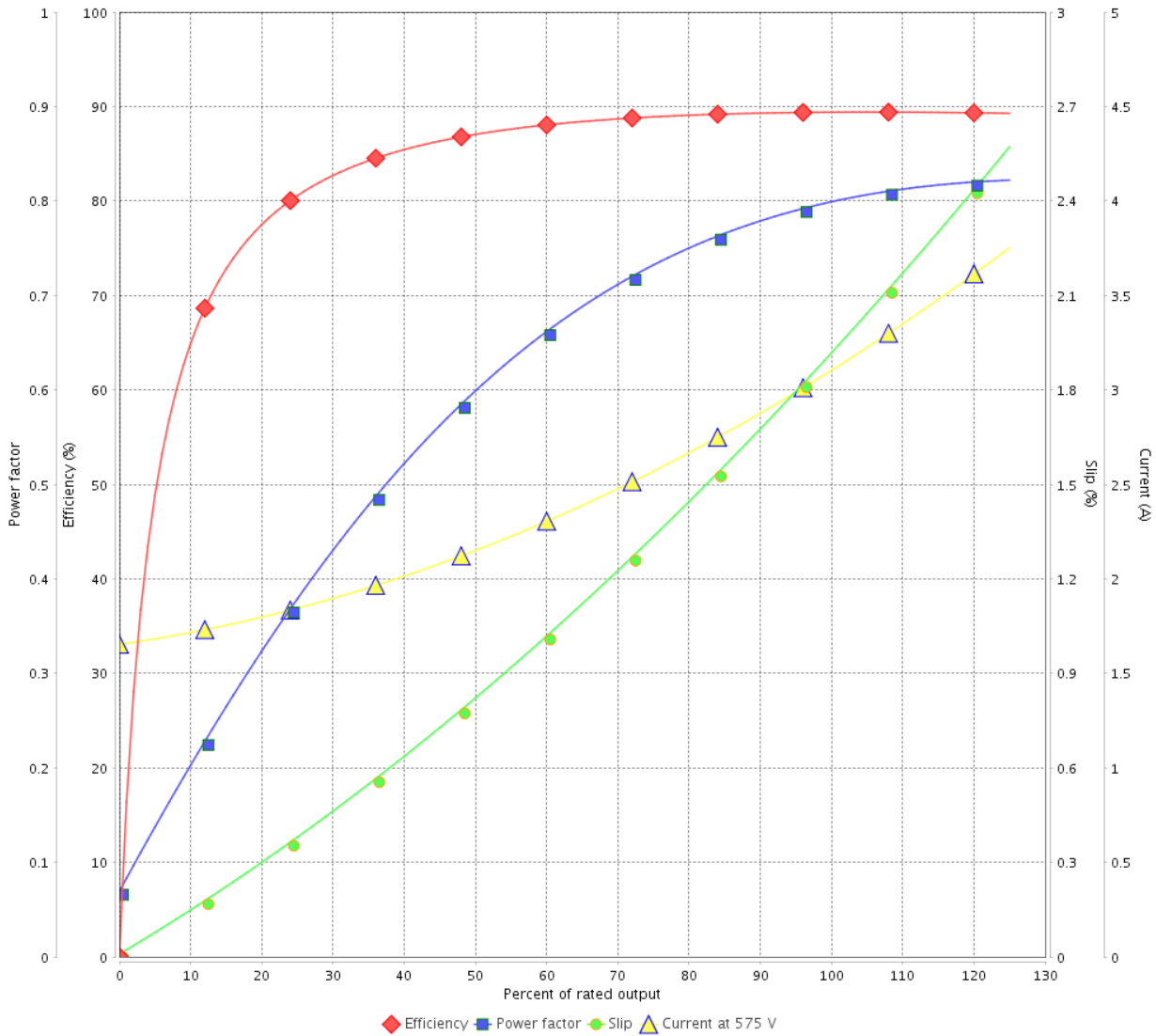
Three Phase Induction Motor - Squirrel Cage



Customer :

Product line : NEMA Premium Efficiency Three-Phase Product code : 12630368

LOAD PERFORMANCE CURVE



Performance : 575 V 60 Hz 4P

Rated current	: 3.09 A	Moment of inertia (J)	: 0.0130 kgm ²
LRC	: 8.4	Duty cycle	: Cont.(S1)
Rated torque	: 1.23 kgfm	Insulation class	: F
Locked rotor torque	: 220 %	Service factor	: 1.15
Breakdown torque	: 330 %	Temperature rise	: 80 K
Rated speed	: 1765 rpm	Design	: B

Rev.	Changes Summary	Performed	Checked	Date
Performed by			Page 2 / 2	Revision
Checked by				
Date	13/05/2022			

1 2 3 4 5 6

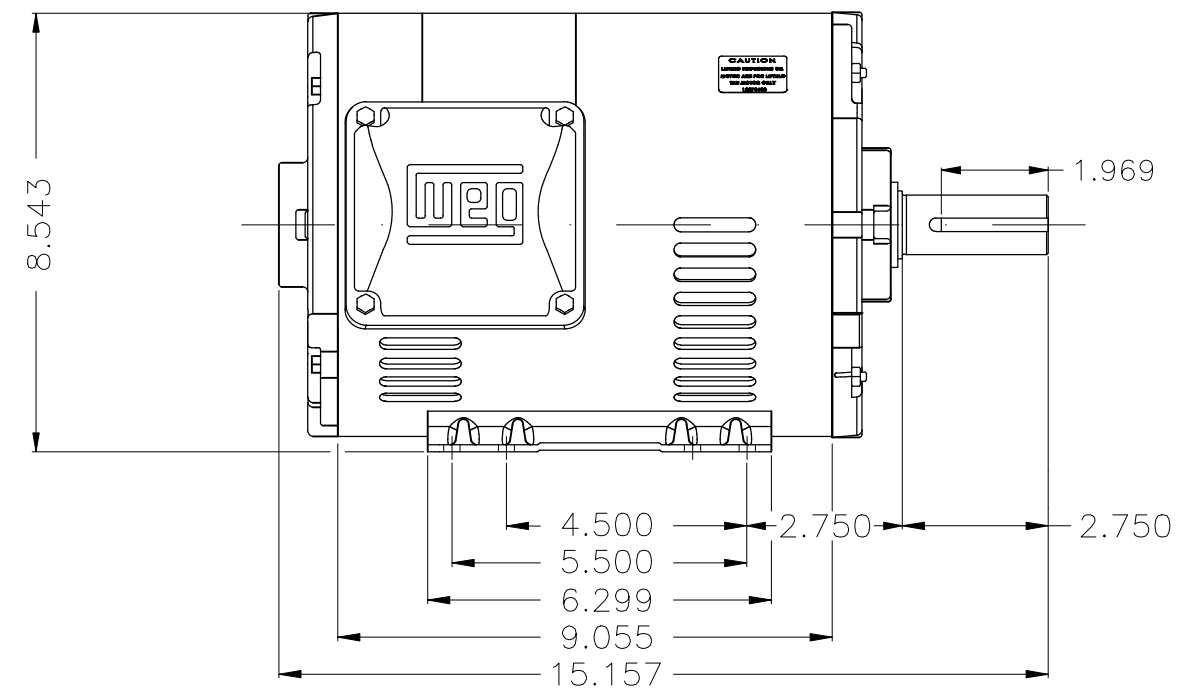
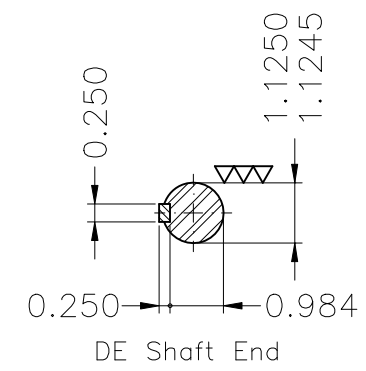
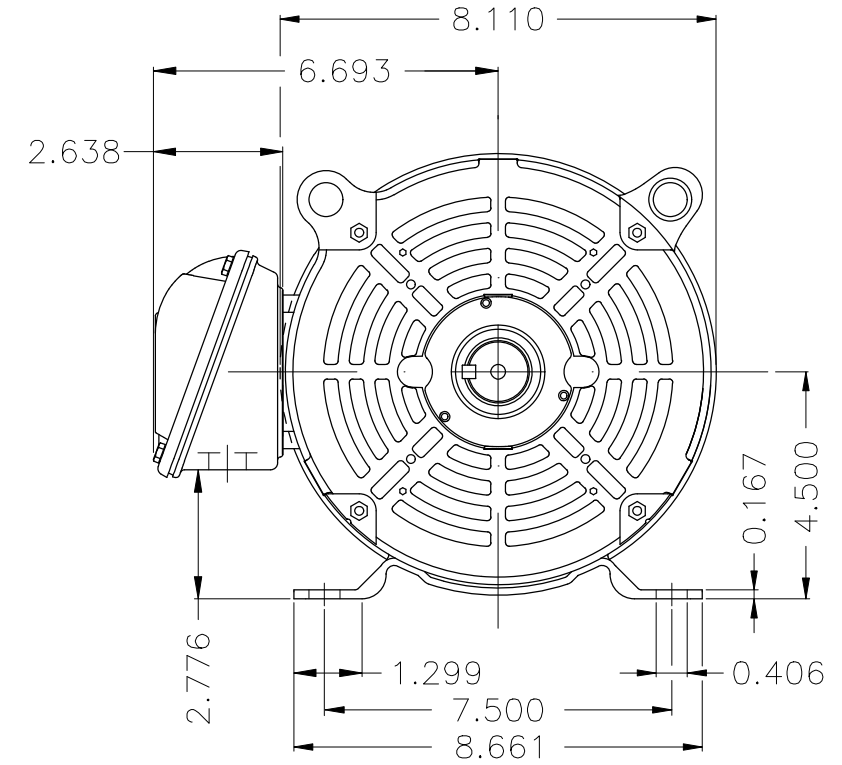
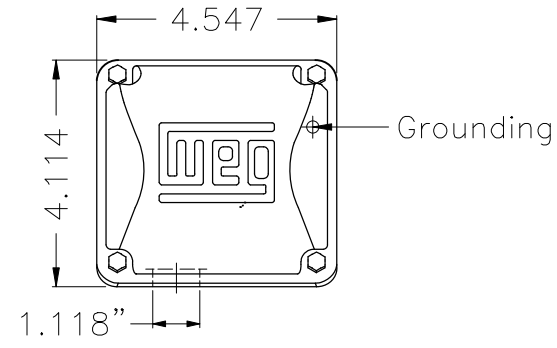
A

B

C

D

E



3 HP 04 Poles 60 Hz

Color Munsell N 1 matte black						
Painting plan 207N						
Mounting F-1/B3R(D)						
					HYBRISUSER	00
ECM	LOC	SUMMARY OF MODIFICATIONS		EXECUTED	CHECKED	RELEASED DATE VER
EXECUTED	HYBRISUSER	THREE PH. MOTOR ROLLED STEEL NEMA PREM. EFF.			PREVIEW	
CHECKED		FRAME 182/4T IP21 ODP			WDD	00
RELEASED						
REL. DATE	WMO	Jaragua do Sul	Product Engineering	SHEET	1 / 1	

