

DATA SHEET



Three Phase Induction Motor - Squirrel Cage

Customer :

Product line : General NEMA Premium Efficiency Three-Phase Product code : 10360047

Frame	: E143/5T	Locked rotor time	: 27s (cold) 15s (hot)
Output	: 2 HP (1.5 kW)	Temperature rise	: 80 K
Poles	: 4	Duty cycle	: Cont.(S1)
Frequency	: 60 Hz	Ambient temperature	: -20°C to +40°C
Rated voltage	: 230/460 V	Altitude	: 1000 m.a.s.l.
Rated current	: 5.80/2.90 A	Protection degree	: IP21
L. R. Amperes	: 47.6/23.8 A	Cooling method	: IC01 - ODP
LRC	: 8.2x(Code L)	Mounting	: F-1
No load current	: 3.20/1.60 A	Rotation ¹	: Both (CW and CCW)
Rated speed	: 1730 rpm	Noise level ²	: 52.0 dB(A)
Slip	: 3.89 %	Starting method	: Direct On Line
Rated torque	: 0.839 kgfm	Approx. weight ³	: 19.7 kg
Locked rotor torque	: 350 %		
Breakdown torque	: 330 %		
Insulation class	: F		
Service factor	: 1.15		
Moment of inertia (J)	: 0.0067 kgm ²		
Design	: B		

Output	50%	75%	100%	Foundation loads	
Efficiency (%)	82.5	85.5	86.5	Max. traction	: 69 kgf
Power Factor	0.58	0.70	0.78	Max. compression	: 89 kgf

	Drive end	Non drive end
Bearing type	: 6205 ZZ	: 6204 ZZ
Sealing	: Without Bearing Seal	: Without Bearing Seal
Lubrication interval	: -	: -
Lubricant amount	: -	: -
Lubricant type	: Mobil Polyrex EM	

Notes
USABLE @208V 5.95A SF 1.00 SFA 5.95A

This revision replaces and cancel the previous one, which must be eliminated.
 (1) Looking the motor from the shaft end.
 (2) Measured at 1m and with tolerance of +3dB(A).
 (3) Approximate weight subject to changes after manufacturing process.
 (4) At 100% of full load.

These are average values based on tests with sinusoidal power supply, subject to the tolerances stipulated in NEMA MG-1.

Rev.	Changes Summary	Performed	Checked	Date
Performed by				
Checked by			Page	Revision
Date	19/10/2024		1 / 2	

LOAD PERFORMANCE CURVE

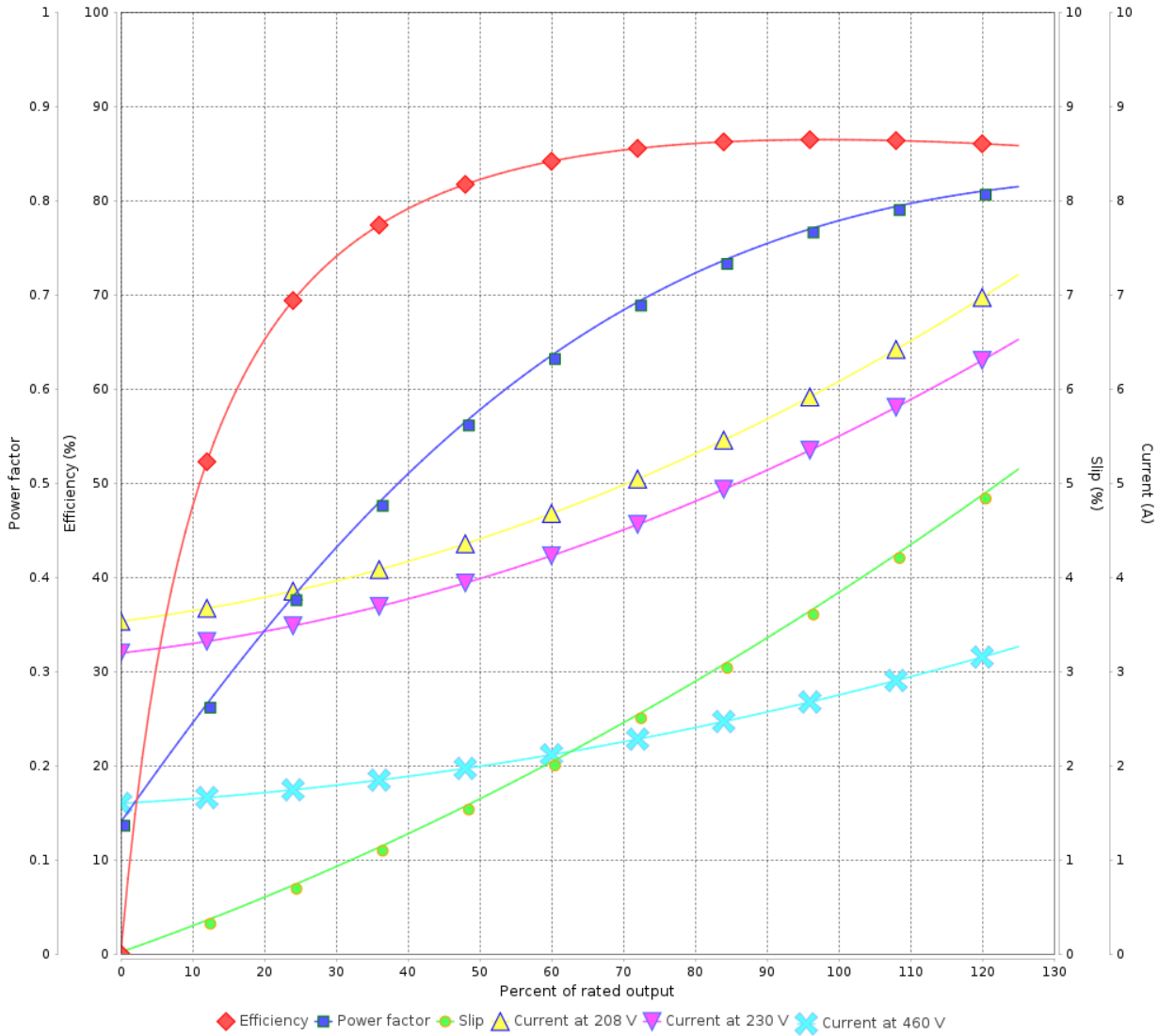
Three Phase Induction Motor - Squirrel Cage



Customer : _____

Product line : General NEMA Premium Efficiency Three-Phase Product code : 10360047

LOAD PERFORMANCE CURVE

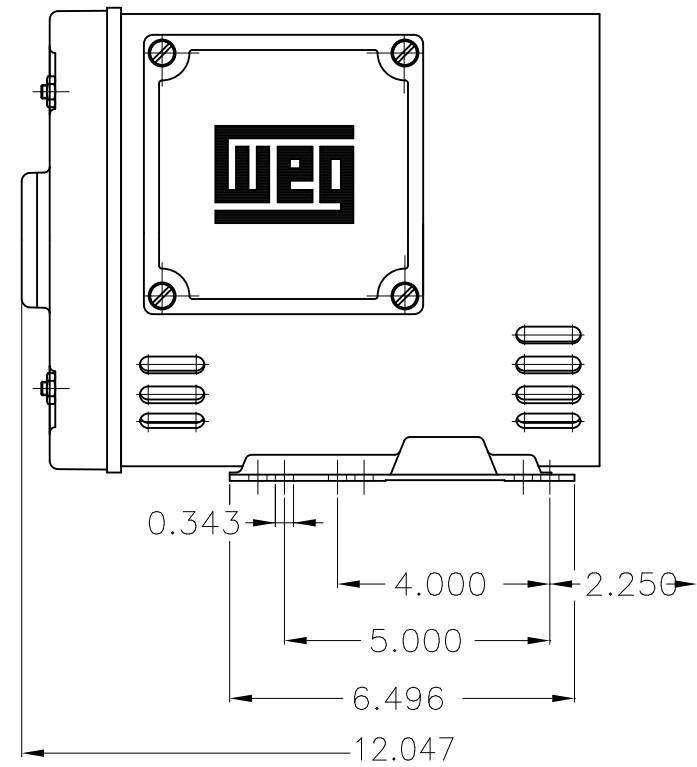
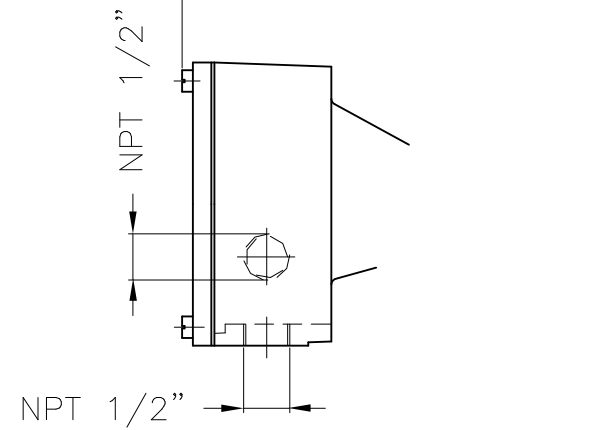


Performance : 230/460 V 60 Hz 4P

Rated current : 5.80/2.90 A
 LRC : 8.2
 Rated torque : 0.839 kgfm
 Locked rotor torque : 350 %
 Breakdown torque : 330 %
 Rated speed : 1730 rpm

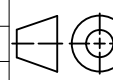

Moment of inertia (J) : 0.0067 kgm²
 Duty cycle : Cont.(S1)
 Insulation class : F
 Service factor :
 Temperature rise : 80 K
 Design : B

Rev.	Changes Summary	Performed	Checked	Date
Performed by			Page	Revision
Checked by				
Date				



A
B
C
D
E

1 2 3 4 5 6

Without switch off thermal protection					
Mounting B3R(D)					
			HYBRISUSER		00
ECM	LOC	SUMMARY OF MODIFICATIONS	EXECUTED	CHECKED	RELEASED
EXECUTED	HYBRISUSER	 THREE PH. MOTOR GENERAL NEMA PREM. EFF. FRAME E143/5T IP21 ODP	PREVIEW		
CHECKED			WDD	00	
RELEASED					
REL. DATE	WMO	Jaragua do Sul	Product Engineering	SHEET	1 / 1

2 HP 04 Poles 60 Hz

A