

DATA SHEET

Three Phase Induction Motor - Squirrel Cage



Customer :

Product line : General NEMA Premium Efficiency Three-Phase Product code : 11090243

Frame	: E143/5T	Locked rotor time	: 27s (cold) 15s (hot)
Output	: 2 HP (1.5 kW)	Temperature rise	: 80 K
Poles	: 2	Duty cycle	: Cont.(S1)
Frequency	: 60 Hz	Ambient temperature	: -20°C to +40°C
Rated voltage	: 230/460 V	Altitude	: 1000 m.a.s.l.
Rated current	: 5.00/2.50 A	Protection degree	: IP21
L. R. Amperes	: 47.5/23.8 A	Cooling method	: IC01 - ODP
LRC	: 9.5x(Code L)	Mounting	: F-1
No load current	: 1.96/0.980 A	Rotation ¹	: Both (CW and CCW)
Rated speed	: 3430 rpm	Noise level ²	: 60.0 dB(A)
Slip	: 4.72 %	Starting method	: Direct On Line
Rated torque	: 0.423 kgfm	Approx. weight ³	: 18.3 kg
Locked rotor torque	: 450 %		
Breakdown torque	: 350 %		
Insulation class	: F		
Service factor	: 1.15		
Moment of inertia (J)	: 0.0025 kgm ²		
Design	: B		

Output	50%	75%	100%	Foundation loads	
Efficiency (%)	84.0	85.5	86.5	Max. traction	: 33 kgf
Power Factor	0.70	0.81	0.87	Max. compression	: 51 kgf

	Drive end	Non drive end
Bearing type	: 6205 ZZ	6204 ZZ
Sealing	: Without Bearing Seal	Without Bearing Seal
Lubrication interval	: -	-
Lubricant amount	: -	-
Lubricant type	: Mobil Polyrex EM	

Notes
USABLE @208V 5.50A SF 1.00 SFA 5.50A

This revision replaces and cancel the previous one, which must be eliminated.
(1) Looking the motor from the shaft end.
(2) Measured at 1m and with tolerance of +3dB(A).
(3) Approximate weight subject to changes after manufacturing process.
(4) At 100% of full load.

These are average values based on tests with sinusoidal power supply, subject to the tolerances stipulated in NEMA MG-1.

Rev.	Changes Summary	Performed	Checked	Date
Performed by				
Checked by			Page	Revision
Date	19/10/2024		1 / 2	

LOAD PERFORMANCE CURVE

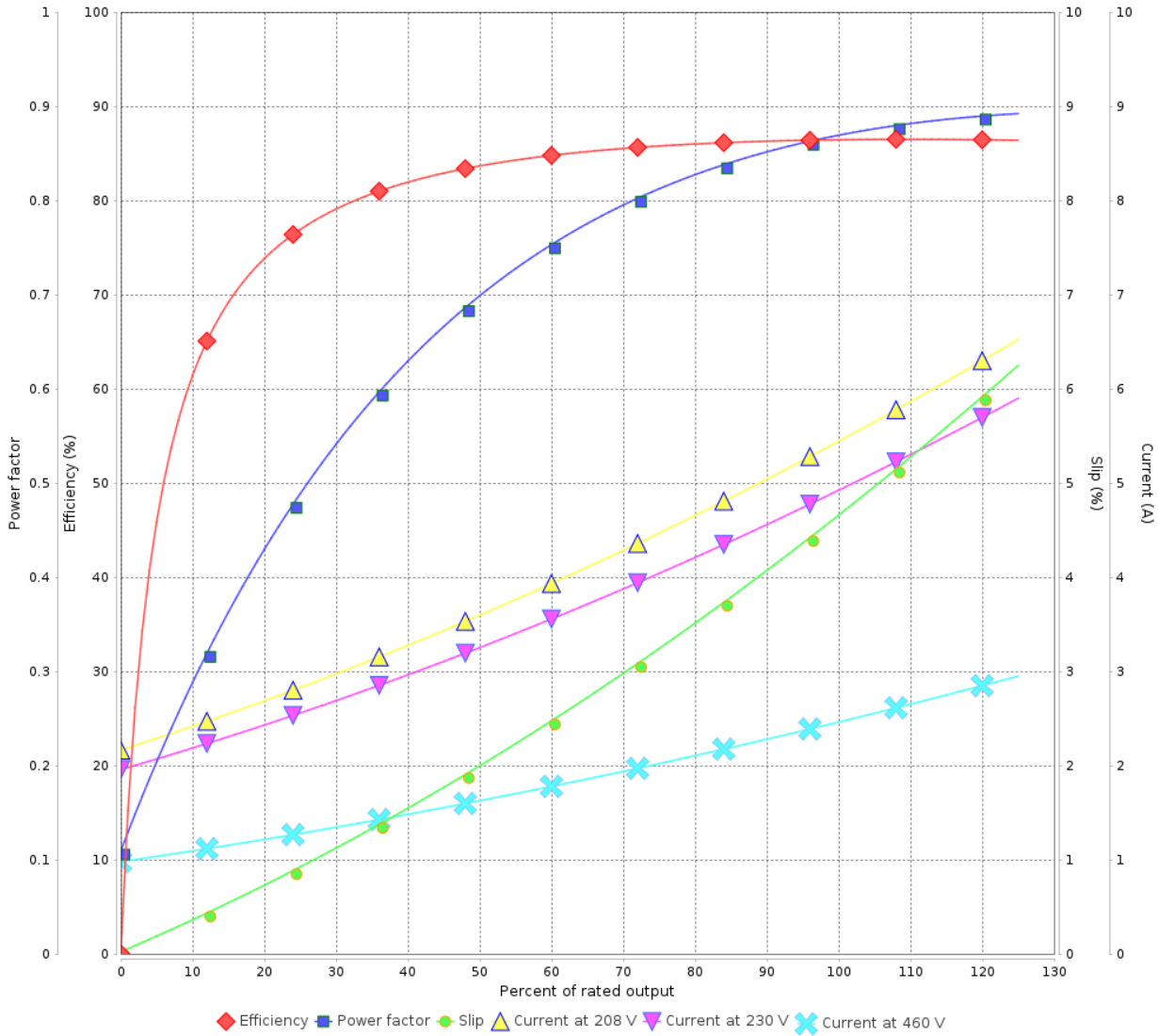
Three Phase Induction Motor - Squirrel Cage



Customer :

Product line : General NEMA Premium Efficiency Three-Phase Product code : 11090243

LOAD PERFORMANCE CURVE



Performance : 230/460 V 60 Hz 2P

Rated current : 5.00/2.50 A
 LRC : 9.5
 Rated torque : 0.423 kgfm
 Locked rotor torque : 450 %
 Breakdown torque : 350 %
 Rated speed : 3430 rpm

Moment of inertia (J) : 0.0025 kgm²
 Duty cycle : Cont.(S1)
 Insulation class : F
 Service factor :
 Temperature rise : 80 K
 Design : B

Rev.	Changes Summary	Performed	Checked	Date
Performed by			Page 2 / 2	Revision
Checked by				
Date	19/10/2024			

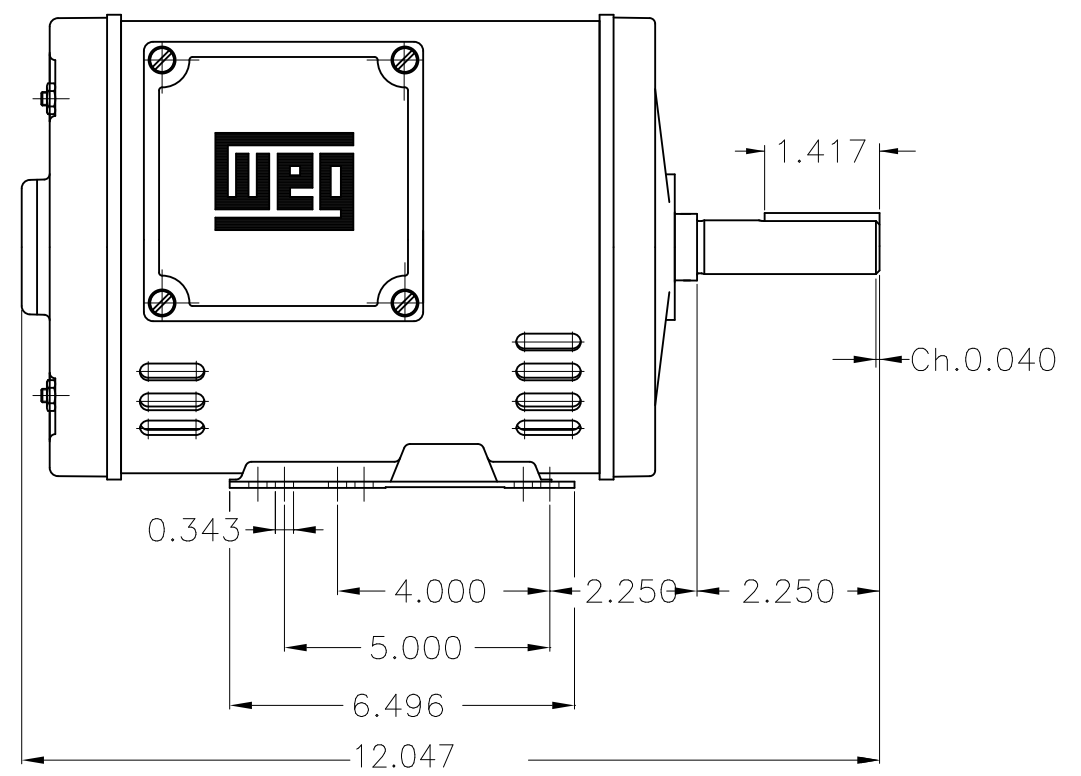
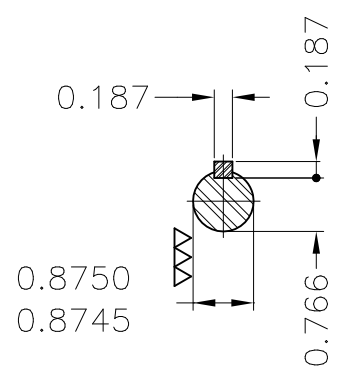
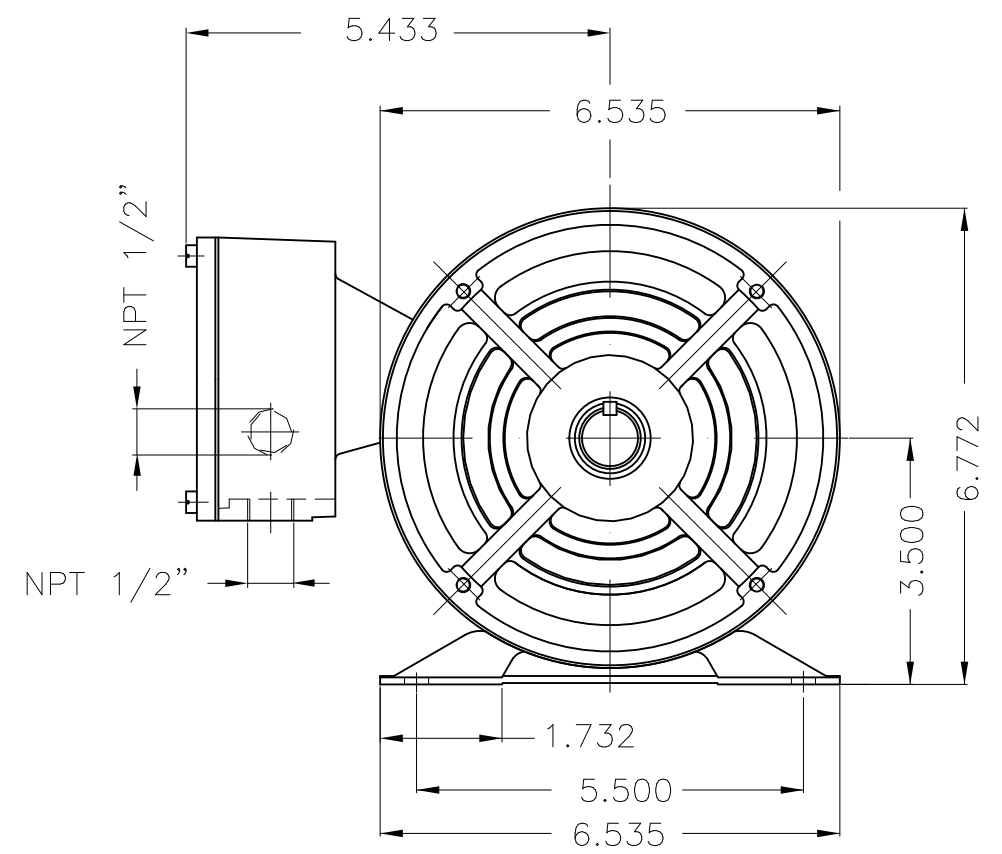
A

B

C

D

E



Without switch off thermal protection						
Mounting B3R(D)						
					HYBRISUSER	00
ECM	LOC	SUMMARY OF MODIFICATIONS		EXECUTED	CHECKED	RELEASED
EXECUTED	HYBRISUSER	THREE PH. MOTOR GENERAL NEMA PREM. EFF.			PREVIEW	
CHECKED		FRAME E143/5T IP21 ODP			WDD	00
RELEASED					SHEET	1 / 1
REL. DATE		WMO	Jaragua do Sul	Product Engineering		

2 HP 02 Poles 60 Hz

A