

DATA SHEET

Three Phase Induction Motor - Squirrel Cage



Customer :

Product line : W40 High Efficiency Three-Phase Product code : 13485038

Frame	: 447/9TSD	Cooling method	: IC01 - ODP
Insulation class	: F	Mounting	: F-1
Duty cycle	: Cont.(S1)	Rotation ¹	: Both (CW and CCW)
Ambient temperature	: -20°C to +40°C	Starting method	: Direct On Line
Altitude	: 1000 m.a.s.l.	Approx. weight ³	: 939 kg
Protection degree	: IP23	Moment of inertia (J)	: 1.65 kgm ²
Design	: B		

Output [HP]	400	400	400	400
Poles	2	2	2	2
Frequency [Hz]	60	50	50	50
Rated voltage [V]	460	380	400	415
Rated current [A]	443	536	512	499
L. R. Amperes [A]	2658	2841	3021	3194
LRC [A]	6.0x(Code F)	5.3x(Code E)	5.9x(Code F)	6.4x(Code G)
No load current [A]	100	95.0	108	118
Rated speed [RPM]	3565	2955	2960	2965
Slip [%]	0.97	1.50	1.33	1.17
Rated torque [kgfm]	81.4	98.2	98.1	97.9
Locked rotor torque [%]	150	120	130	140
Breakdown torque [%]	229	190	200	220
Service factor	1.15	1.15	1.15	1.15
Temperature rise	80 K	105 K	105 K	80 K
Locked rotor time	25s (cold) 14s (hot)	21s (cold) 12s (hot)	21s (cold) 12s (hot)	21s (cold) 12s (hot)
Noise level ²	85.0 dB(A)			
Efficiency (%)	25%			
	50%	95.0	95.0	95.0
	75%	95.4	95.0	95.0
	100%	95.4	94.5	95.0
Power Factor	25%			
	50%	0.83	0.85	0.83
	75%	0.88	0.89	0.88
	100%	0.89	0.90	0.89

Bearing type	: Drive end	: Non drive end	Foundation loads
	: 6314 C3	: 6314 C3	
Sealing	: Without	: Without	Max. compression : 2354 kgf
	: Bearing Seal	: Bearing Seal	
Lubrication interval	: 14418 h	: 14418 h	
Lubricant amount	: 27 g	: 27 g	
Lubricant type	: Mobil Polyrex EM		

Notes

This revision replaces and cancel the previous one, which must be eliminated.

- (1) Looking the motor from the shaft end.
- (2) Measured at 1m and with tolerance of +3dB(A).
- (3) Approximate weight subject to changes after manufacturing process.
- (4) At 100% of full load.

These are average values based on tests with sinusoidal power supply, subject to the tolerances stipulated in NEMA MG-1.

Rev.	Changes Summary	Performed	Checked	Date
Performed by				
Checked by			Page	Revision
Date	19/10/2024		1 / 6	

DATA SHEET

Three Phase Induction Motor - Squirrel Cage



Customer : _____

Thermal protection

ID	Application	Type	Quantity	Sensing Temperature
1	Winding	Thermistor - 2 wires	1 x Phase	155 °C

Rev.	Changes Summary	Performed	Checked	Date
Performed by				
Checked by			Page	Revision
Date	19/10/2024		2 / 6	

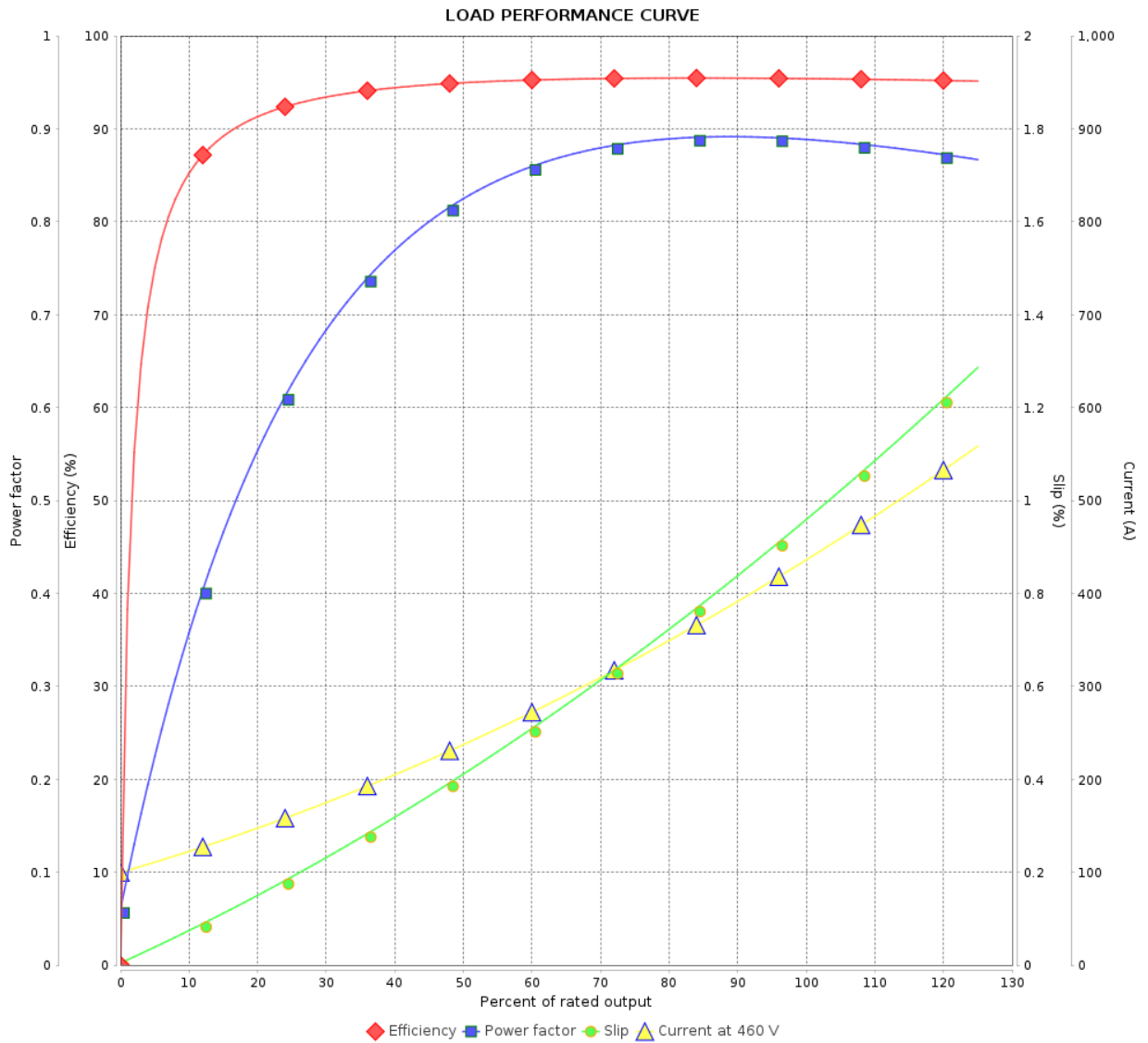
LOAD PERFORMANCE CURVE

Three Phase Induction Motor - Squirrel Cage



Customer :

Product line : W40 High Efficiency Three-Phase Product code : 13485038



Performance : 460 V 60 Hz 2P

Rated current : 443 A
 LRC : 6.0
 Rated torque : 81.4 kgfm
 Locked rotor torque : 150 %
 Breakdown torque : 229 %
 Rated speed : 3565 rpm

Moment of inertia (J) : 1.65 kgm²
 Duty cycle : Cont.(S1)
 Insulation class : F
 Service factor : 1.15
 Temperature rise : 80 K
 Design : B

Rev.	Changes Summary	Performed	Checked	Date
Performed by		Page		Revision
Checked by		3 / 6		
Date		19/10/2024		

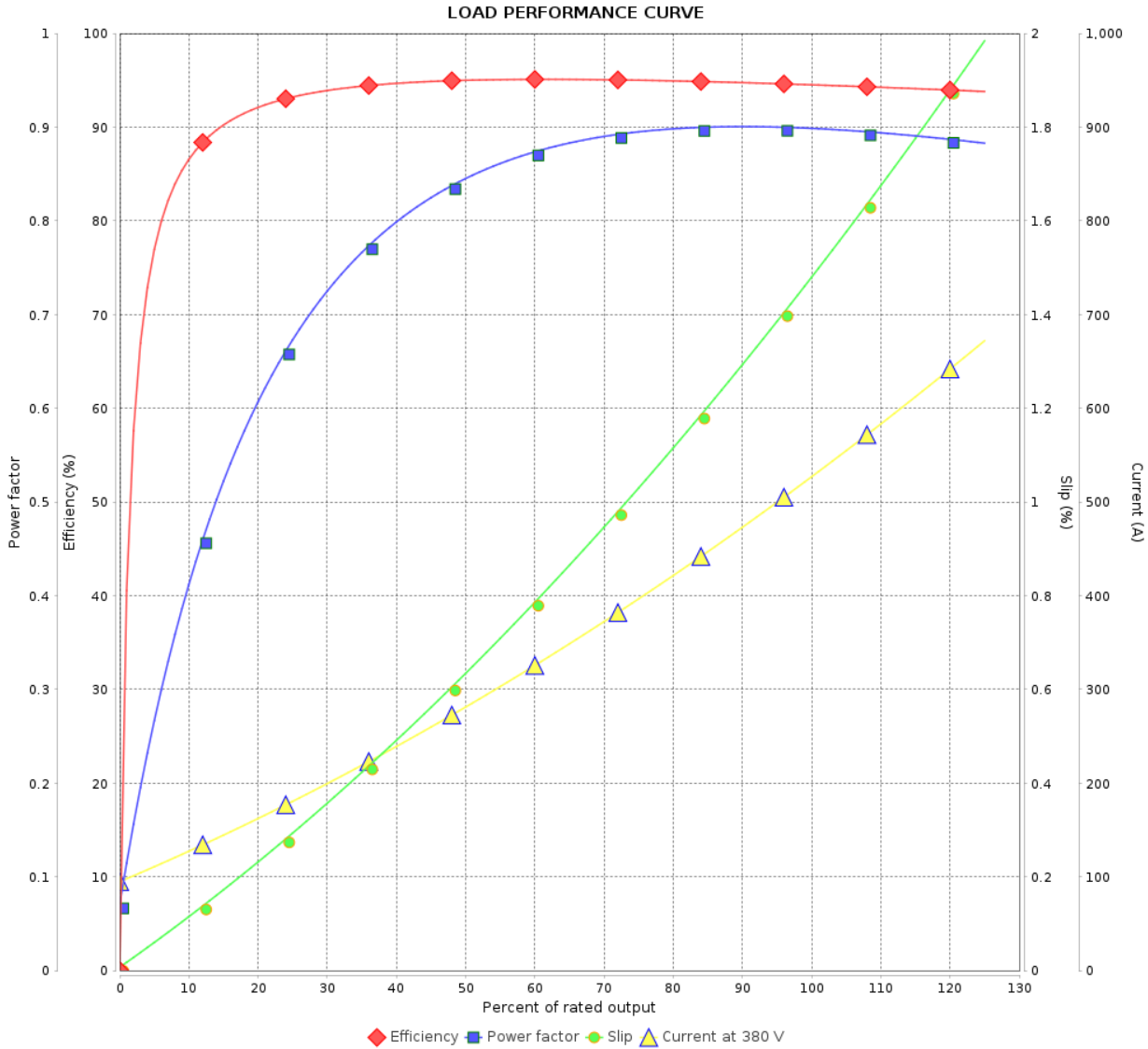
LOAD PERFORMANCE CURVE

Three Phase Induction Motor - Squirrel Cage



Customer : _____

Product line : W40 High Efficiency Three-Phase Product code : 13485038



Performance : 380 V 50 Hz 2P IE1

Rated current	: 536 A	Moment of inertia (J)	: 1.65 kgm ²
LRC	: 5.3	Duty cycle	: Cont.(S1)
Rated torque	: 98.2 kgfm	Insulation class	: F
Locked rotor torque	: 120 %	Service factor	: 1.15
Breakdown torque	: 190 %	Temperature rise	: 105 K
Rated speed	: 2955 rpm	Design	: B

Rev.	Changes Summary	Performed	Checked	Date
Performed by			Page 4 / 6	Revision
Checked by				
Date	19/10/2024			

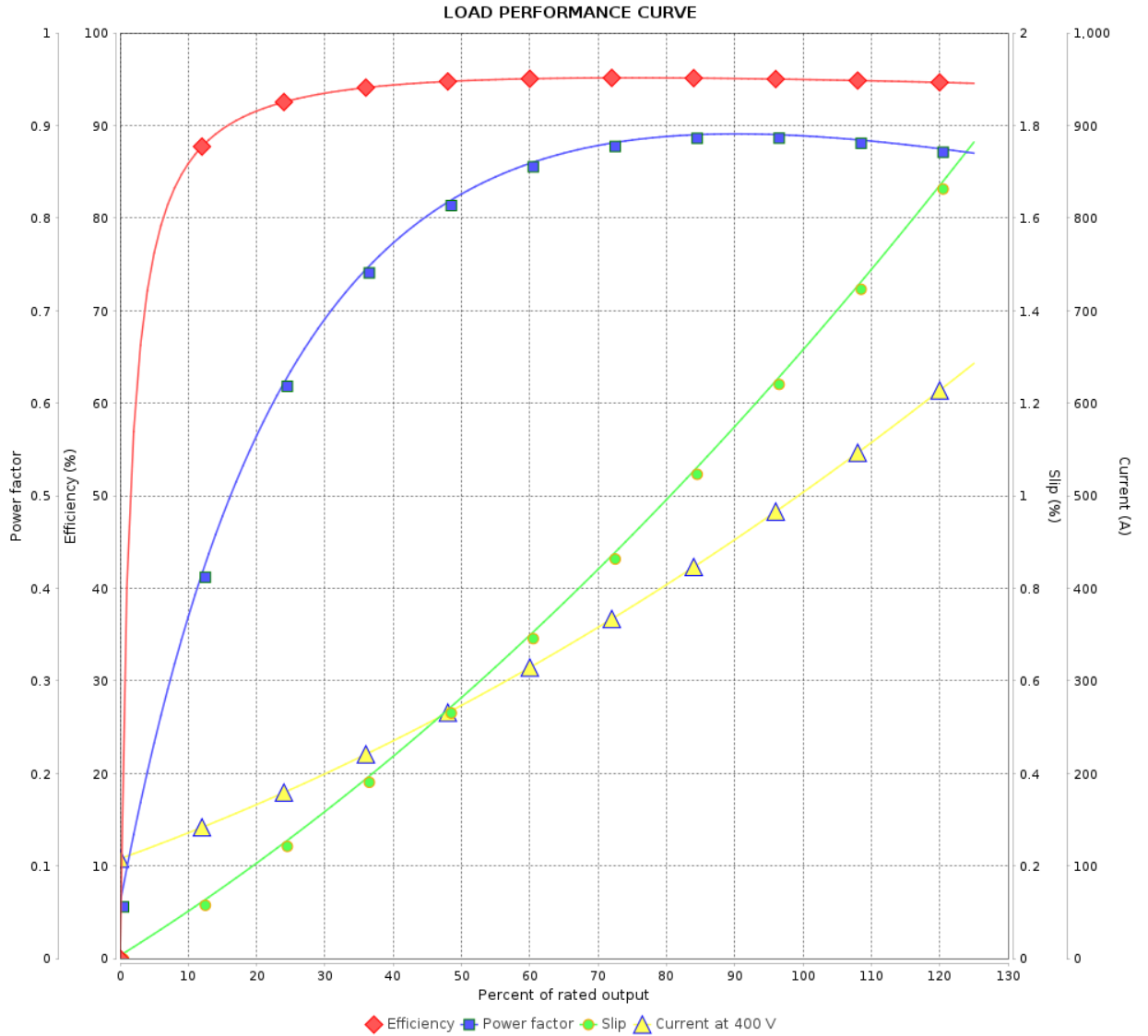
LOAD PERFORMANCE CURVE

Three Phase Induction Motor - Squirrel Cage



Customer : _____

Product line : W40 High Efficiency Three-Phase Product code : 13485038



Performance : 400 V 50 Hz 2P IE2

Rated current : 512 A
 LRC : 5.9
 Rated torque : 98.1 kgfm
 Locked rotor torque : 130 %
 Breakdown torque : 200 %
 Rated speed : 2960 rpm

Moment of inertia (J) : 1.65 kgm²
 Duty cycle : Cont.(S1)
 Insulation class : F
 Service factor : 1.15
 Temperature rise : 105 K
 Design : B

Rev.	Changes Summary	Performed	Checked	Date
Performed by			Page	Revision
Checked by				
Date				

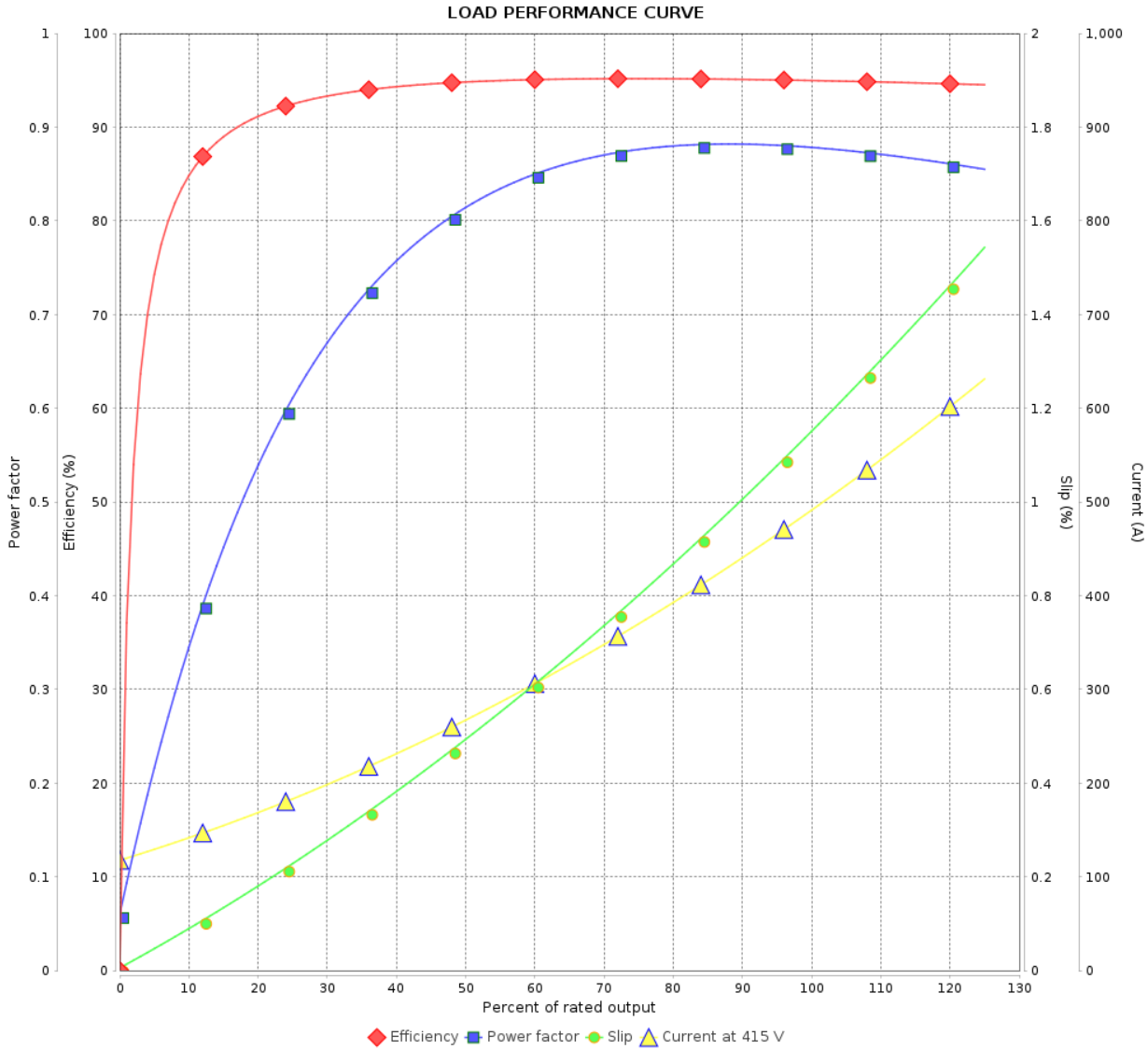
LOAD PERFORMANCE CURVE

Three Phase Induction Motor - Squirrel Cage



Customer :

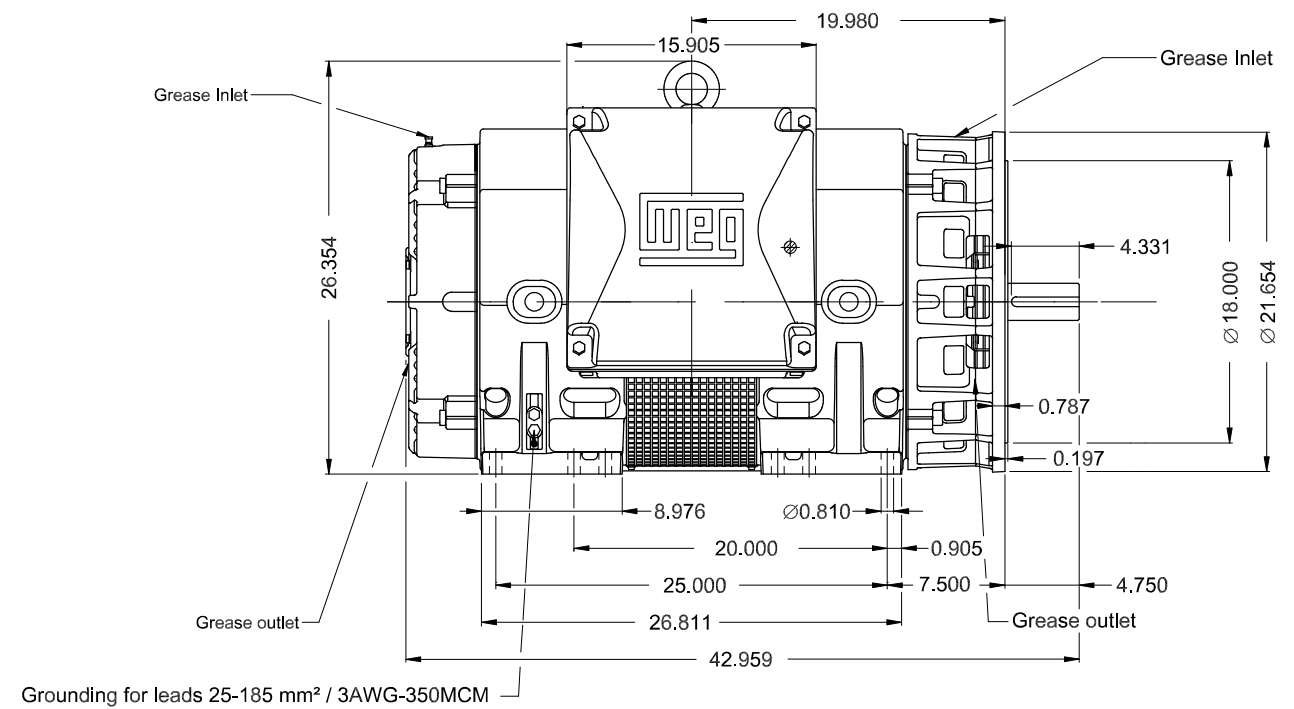
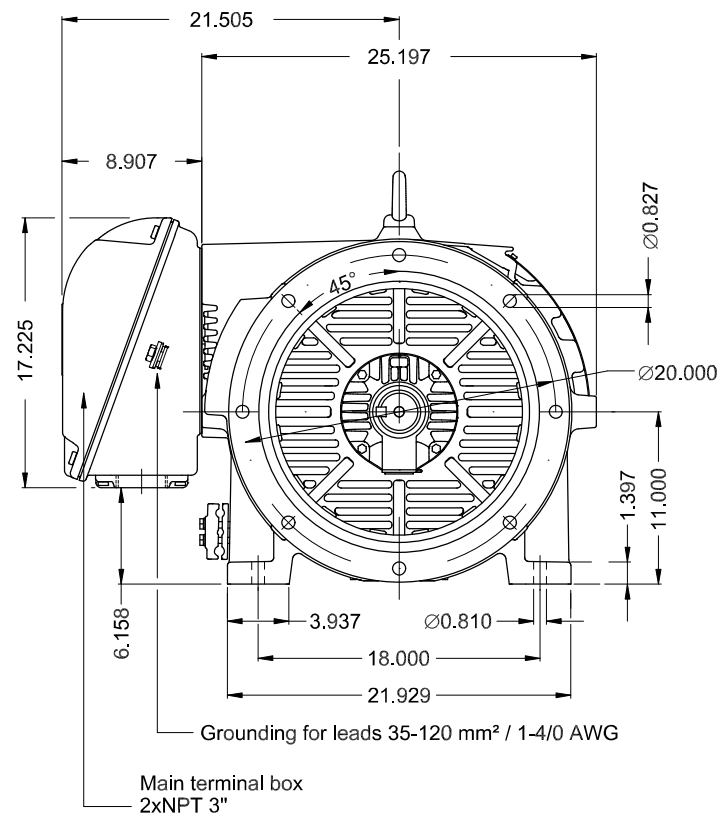
Product line : W40 High Efficiency Three-Phase Product code : 13485038



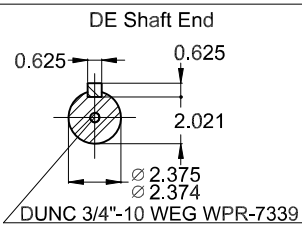
Performance : 415 V 50 Hz 2P IE2

Rated current	: 499 A	Moment of inertia (J)	: 1.65 kgm ²
LRC	: 6.4	Duty cycle	: Cont.(S1)
Rated torque	: 97.9 kgfm	Insulation class	: F
Locked rotor torque	: 140 %	Service factor	: 1.15
Breakdown torque	: 220 %	Temperature rise	: 80 K
Rated speed	: 2965 rpm	Design	: B

Rev.	Changes Summary	Performed	Checked	Date
Performed by			Page 6 / 6	Revision
Checked by				
Date	19/10/2024			



Color RAL 5009
 Painting plan 203A
 Mounting NEMA F-1
 Mounting B35R(D)



400 HP 02 Poles 60 Hz

Dimensions in inches

1:12

ECM		LOC	SUMMARY OF MODIFICATIONS			HYBRISUSER	00
EXECUTED	HYBRISUSER			THREE PH. MOTOR W40 HIGH EFF.	PREVIEW WDD 00 SHEET 1 / 1		VER DATE RELEASED CHECKED EXECUTED
CHECKED		FRAME 447/9TSD IP23 ODP					
RELEASED							
REL. DATE		WMO Jaragua do Sul Product Engineering					