

# DATA SHEET

## Single Phase Induction Motor - Squirrel Cage



Customer : V.J. PAMENSKY CANADA INC.

Product line : W01 - TEFC Farm Duty - Standard Efficiency Product code : 19043532

Frame	: 143/5T	Locked rotor time	: 8 s (hot) 14 s (cold)
Output	: 1.5 HP (1.1 kW)	Temperature rise	: 80 K
Poles	: 4	Duty cycle	: S1
Frequency	: 60 Hz	Ambient temperature	: -20 °C to +40 °C
Rated voltage	: 115/230 V	Altitude	: 3280 ft
Rated current	: 15.0/7.48 A	Protection degree	: IP55
L. R. Amperes	: 120/59.8 A	Cooling method	: IC411 - TEFC
LRC	: 8.0	Mounting	: F-1/B3R(D)
No load current	: 8.60/4.30 A	Rotation <sup>1</sup>	: Both
Rated speed	: 1745 rpm	Noise level <sup>2</sup>	: 54.0 dB(A)
Slip	: 3.06 %	Vibration class	: A
Rated torque	: 4.45 ft.lb	Starting method	: Direct On Line
Locked rotor torque	: 250 %	Approx. weight <sup>3</sup>	: 43.0 lb
Pull up torque	: 210 %	Painting plan	: 207N
Breakdown torque	: 270 %	Color	: RAL 3003
Insulation class	: F	Design	: L
Service factor	: 1.15		
Moment of inertia (J)	: 0.1424 sq.ft.lb		

Output	50%	75%	100%	Load type	: -
Efficiency (%)	69.0	75.0	77.0	Load torque	: -
Power Factor	0.68	0.78	0.83	Load inertia (J=GD <sup>2</sup> /4)	: -

Bearing type	Drive end	Non drive end	Foundation loads
	6205-2RS	6203-2RS	
Lubrication interval	-	-	Max. compression
Lubricant amount	-	-	
Lubricant type	MOBIL POLYREX EM		

Notes  
See notes on page 2.

This revision replaces and cancel the previous one, which must be eliminated.  
(1) Looking the motor from the shaft end.  
(2) Measured at 1m and with tolerance of +3dB(A).  
(3) Approximate weight, subject to be changed after manufacturing process.

These are average values based on tests with sinusoidal power supply, subject to the tolerances stipulated in NEMA MG 1-12.

Rev.	Changes Summary		Rev.	Checked	Date
Performed by	farazq			1847570684	
Checked by	AUTOMATICO			Page	Rev.
Date	12/05/2026			1 / 2	0

# DATA SHEET

## Single Phase Induction Motor - Squirrel Cage



Customer : V.J. PAMENSKY CANADA INC.

Product line : W01 - TEFC Farm Duty - Standard Efficiency      Product code : 19043532

Thermal protection ID	Application	Type	Quantity	Sensing Temperature
-----------------------	-------------	------	----------	---------------------

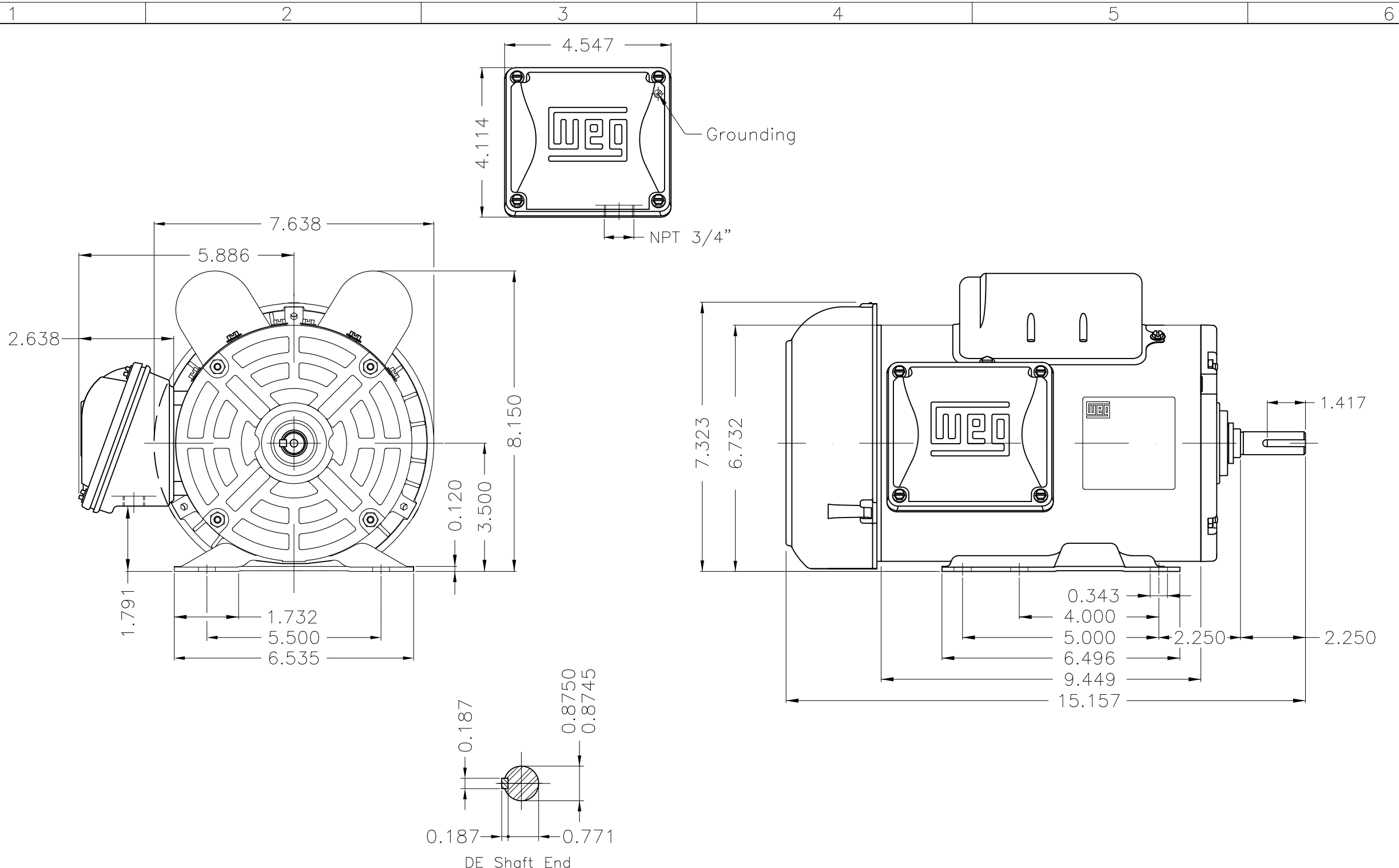
Notes

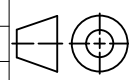
Standards	Specification	: MG1 - Part 10	Vibration	: MG1 - Part 7
	Test	: MG1 - Part 12	Tolerance	: MG1 - Part 12
	Noise	: MG1 - Part 9		

This revision replaces and cancel the previous one, which must be eliminated.  
(1) Looking the motor from the shaft end.  
(2) Measured at 1m and with tolerance of +3dB(A).  
(3) Approximate weight, subject to be changed after manufacturing process.

These are average values based on tests with sinusoidal power supply, subject to the tolerances stipulated in NEMA MG 1-12.

Rev.	Changes Summary	Rev.	Checked	Date
Performed by	farazq			1847570684
Checked by	AUTOMATICO	Page	Rev.	
Date	12/05/2026	2 / 2	0	



Color RAL 3002					
Mounting F-1/B3R(D)					
				HYBRISUSER	00
ECM	LOC	SUMMARY OF MODIFICATIONS	EXECUTED	CHECKED	RELEASED
EXECUTED	HYBRISUSER	 SINGLE PH. MOTOR ROLLED STEEL FARM DUTY FRAME 143/5T IP55 TEFC	<b>PREVIEW</b> WDD   00 SHEET 1 / 1		
CHECKED					
RELEASED					
REL. DATE	WMO	Jaragua do Sul	Product Engineering		

1.5 HP 04 Poles 60 Hz

